

4

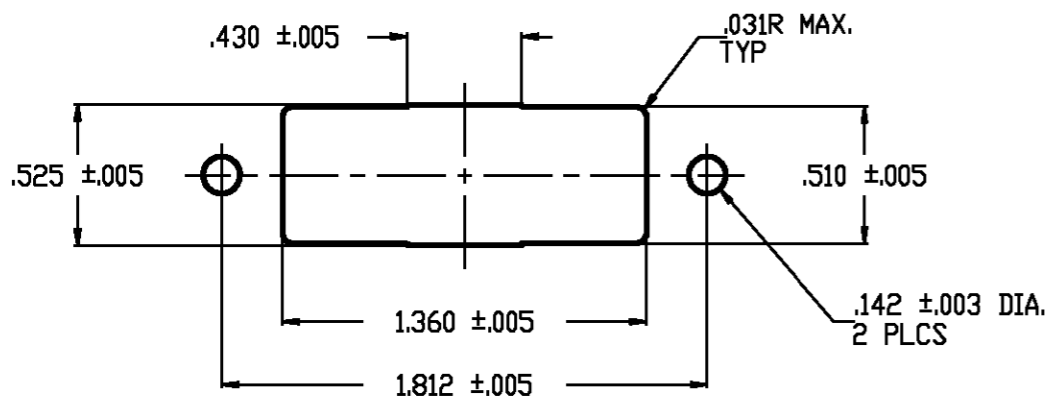
3

2

1

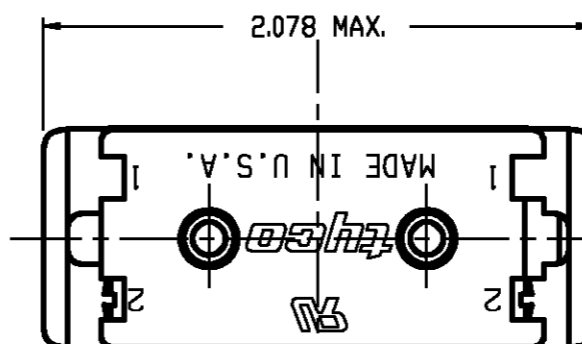
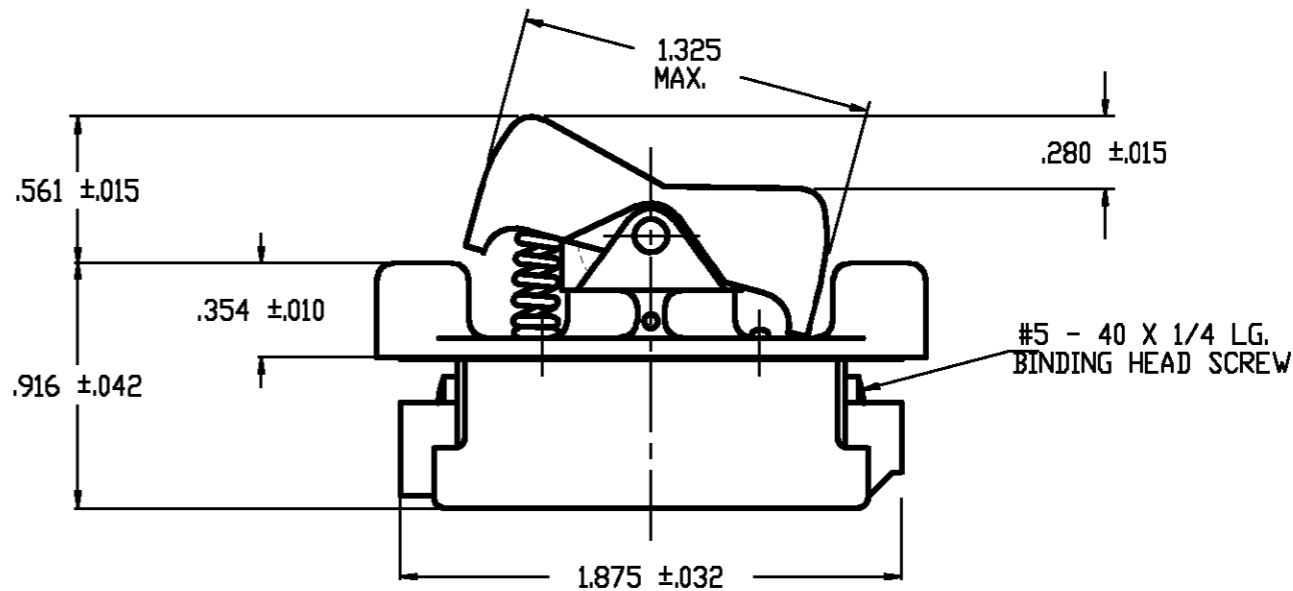
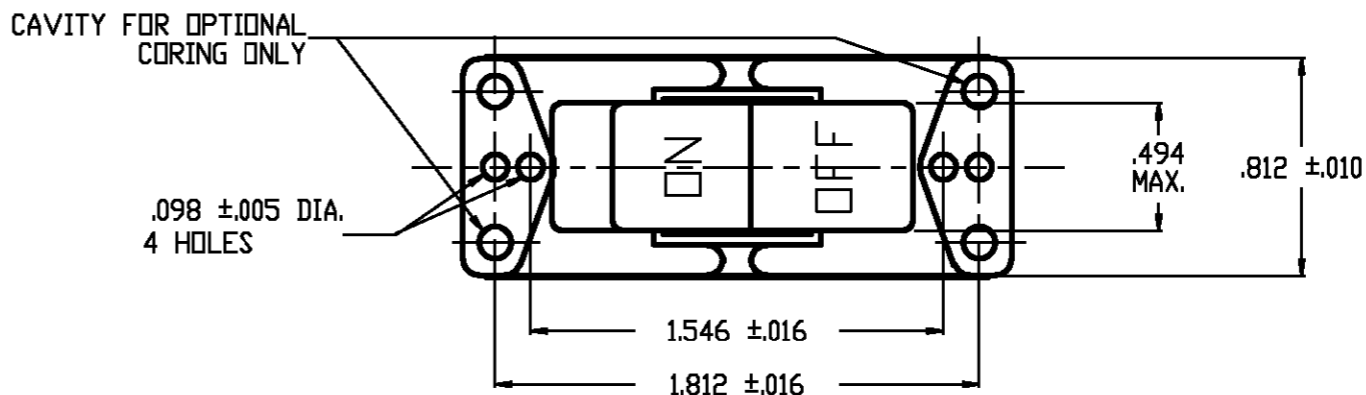
THIS DRAWING IS UNPUBLISHED. RELEASED FOR PUBLICATION
© COPYRIGHT BY TYCO ELECTRONICS CORPORATION. ALL RIGHTS RESERVED.

| | | | | | | | |
|-----|------|-----------|-----|----------------|---------|-----|------|
| LOC | DIST | REVISIONS | | | | | |
| AD | 00 | P | LTR | DESCRIPTION | DATE | DWN | APVD |
| | | A | | ECOG3G-0016-01 | 25MAY01 | WL | WBH |



PANEL CUTOUT

NOTE:
1. SWITCH RATED AT 8A 250V 16A 125V 1HP 125V.



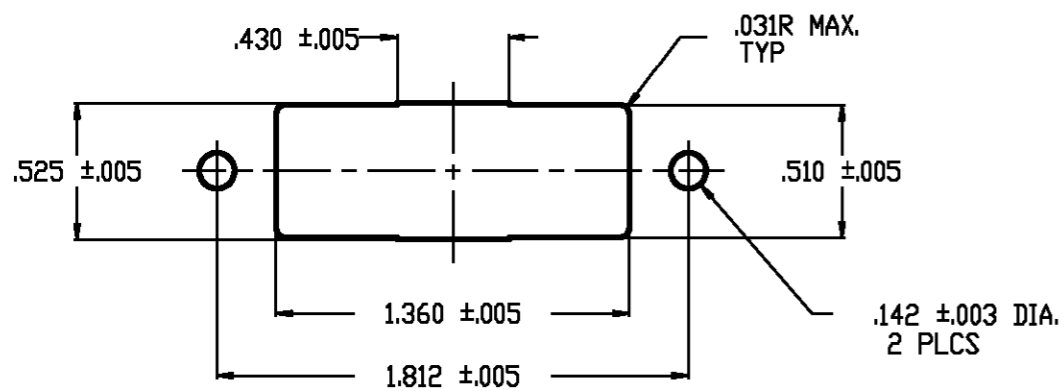
91-572

TYCO NO. 1520238-9
(ARAB NO. 8909K13)

| | | | | | | | |
|--|--|------------------|-------------|-----------|--|------------|-----------|
| THIS DRAWING IS A CONTROLLED DOCUMENT. | | DWN | W. HANSON | 12SEP95 | Tyco Electronics Corporation Arab, AL 35016 | | |
| DIMENSIONS: INCHES | | CHK | W. Leonard | 13SEP95 | NAME ALL PLASTIC ROCKER SWITCH | | |
| TOLERANCES UNLESS OTHERWISE SPECIFIED: | | APVD | M.R. DUMMER | 13SEP95 | PRODUCT SPEC | - | |
| 0 PLC ± - | | APPLICATION SPEC | - | | | | |
| 1 PLC ± - | | WEIGHT | - | | | | |
| 2 PLC ± - | | SIZE | A3 | CAGE CODE | 00779 | DRAWING NO | C-1520238 |
| 3 PLC ± - | | RESTRICTED TO | - | | | | |
| 4 PLC ± - | | SCALE | 1:1 | | SHEET | 4 OF 4 | REV |
| ANGLES ± - | | CUSTOMER DRAWING | | | | | |
| MATERIAL | | - | | | | | |
| FINISH | | - | | | | | |

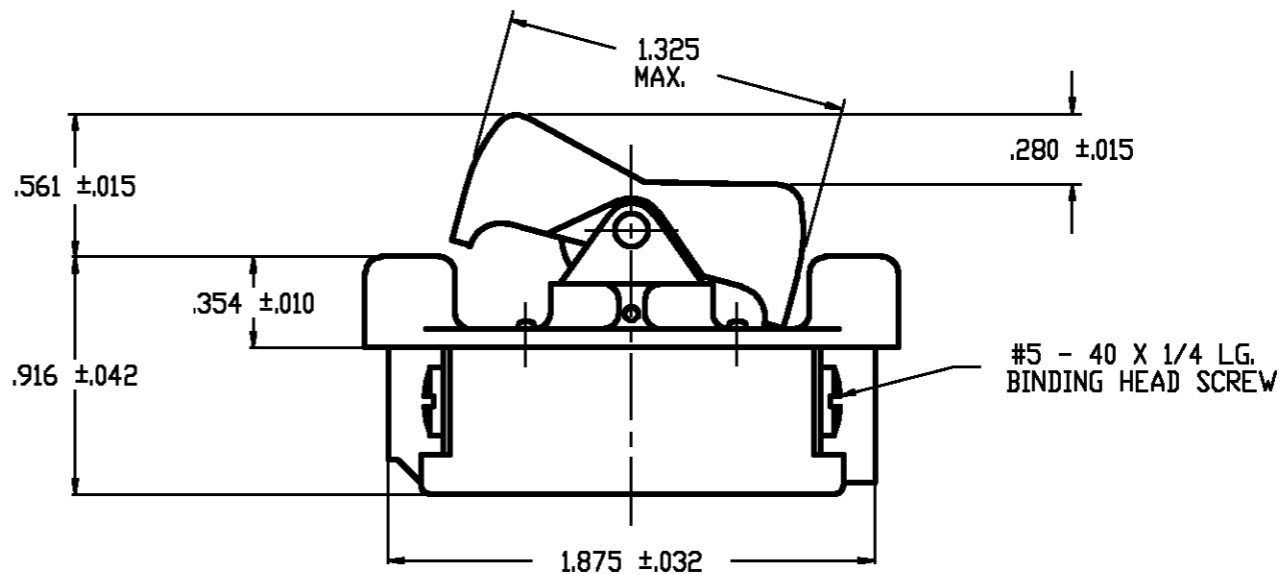
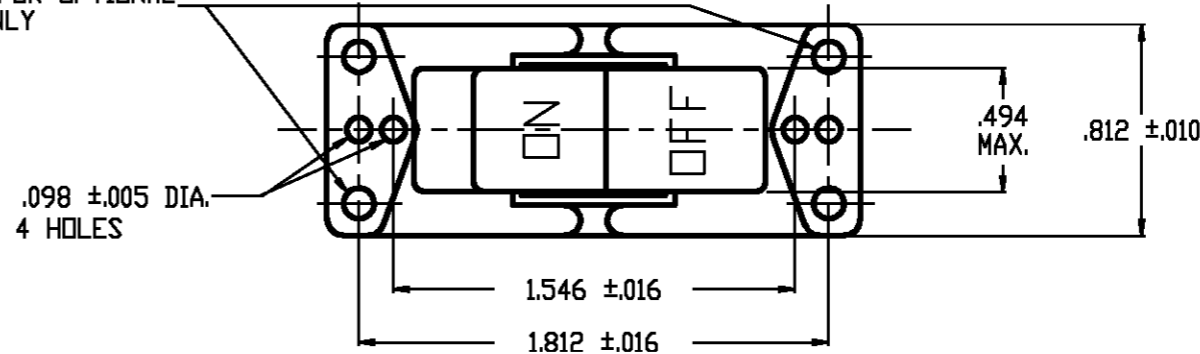
THIS DRAWING IS UNPUBLISHED. RELEASED FOR PUBLICATION
 © COPYRIGHT BY TYCO ELECTRONICS CORPORATION. ALL RIGHTS RESERVED.

| LOC | DIST | REVISIONS | | | |
|-----|------|-------------|----------------|---------|--------|
| P | LTR | DESCRIPTION | DATE | DWN | APVD |
| AD | 00 | A | EC0G3G-0016-01 | 25MAY01 | WL WBH |

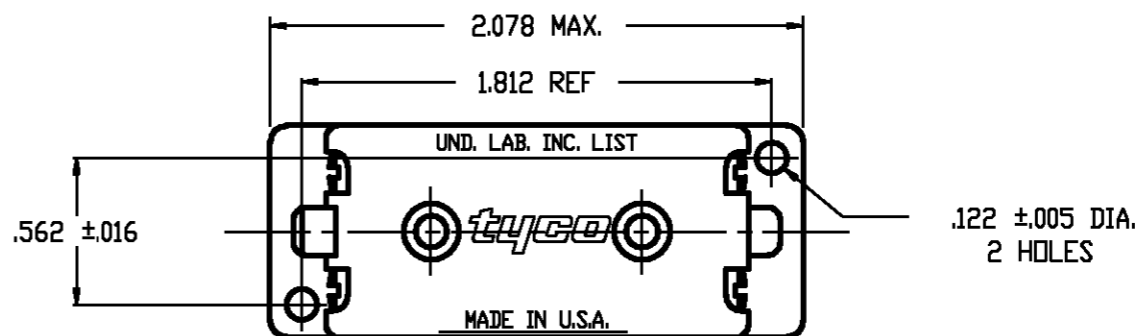


PANEL CUTOUT

CAVITY FOR OPTIONAL CORING ONLY



#5 - 40 X 1/4 LG. BINDING HEAD SCREW



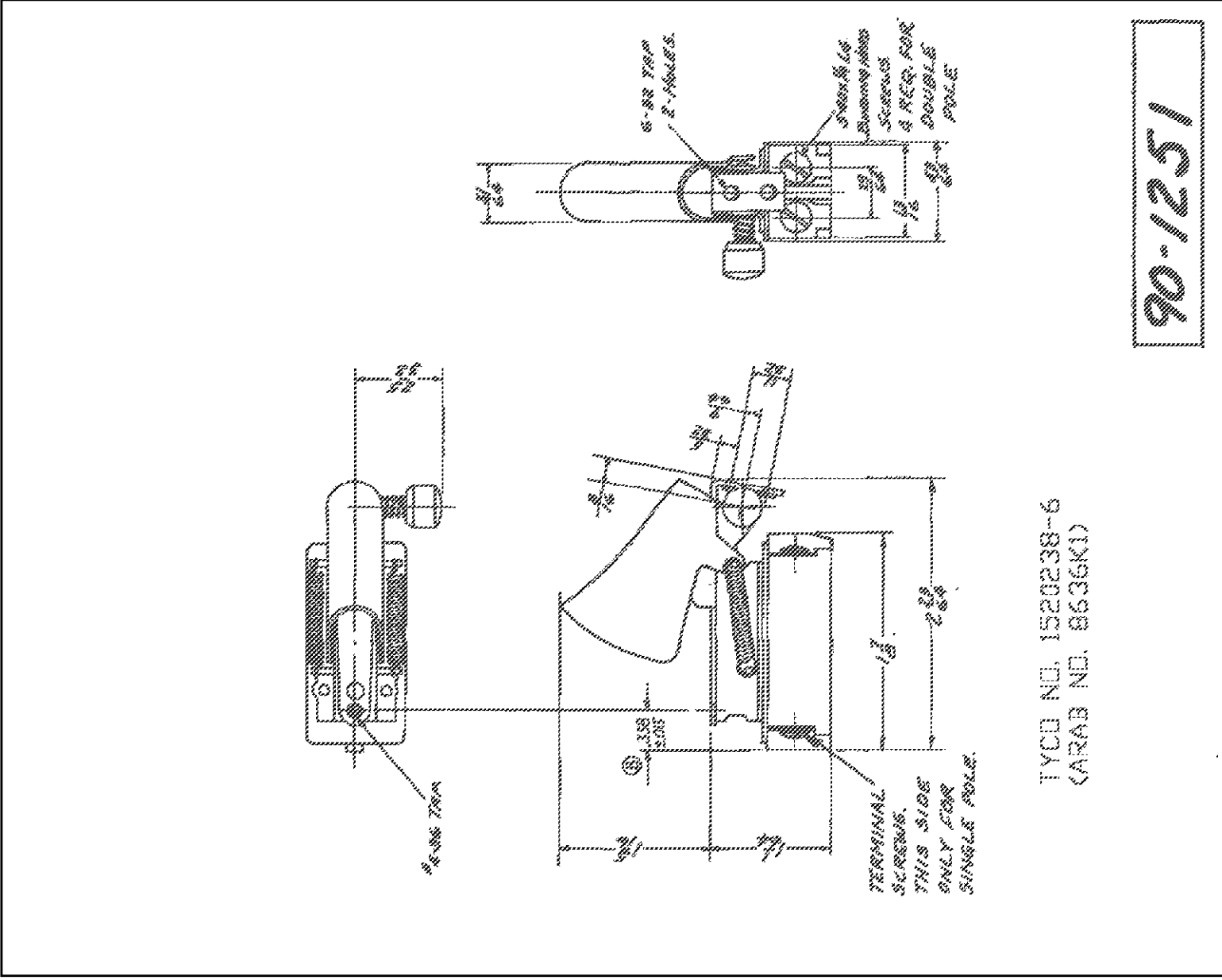
NOTE:
1. SWITCH RATED AT 8A 250V 16A 125V 1HP 125V.

TYCO NO. 1520238-1
(ARAB NO. 8630K50)

90-6361

| | | | | | | | | | | | | | | | |
|--|-------------|-----------------------------|--|--------------------|-----|-------|-----|-------|-----|-------|-----|--------|-----|-----------------------|--|
| THIS DRAWING IS A CONTROLLED DOCUMENT. | | DWN M. WHITED 26AUG76 | Tyco Electronics Corporation Arab, AL 35016 | | | | | | | | | | | | |
| DIMENSIONS: INCHES | | CHK J. SMITH 27AUG76 | NAME ALL PLASTIC ROCKER SWITCH | | | | | | | | | | | | |
| TOLERANCES UNLESS OTHERWISE SPECIFIED: | | APVD R. SARAS 27AUG76 | PRODUCT SPEC - | | | | | | | | | | | | |
| <table border="1"> <tr><td>0 PLC</td><td>± -</td></tr> <tr><td>1 PLC</td><td>± -</td></tr> <tr><td>2 PLC</td><td>± -</td></tr> <tr><td>3 PLC</td><td>± -</td></tr> <tr><td>4 PLC</td><td>± -</td></tr> <tr><td>ANGLES</td><td>± -</td></tr> </table> | | 0 PLC | ± - | 1 PLC | ± - | 2 PLC | ± - | 3 PLC | ± - | 4 PLC | ± - | ANGLES | ± - | APPLICATION SPEC - | |
| 0 PLC | ± - | | | | | | | | | | | | | | |
| 1 PLC | ± - | | | | | | | | | | | | | | |
| 2 PLC | ± - | | | | | | | | | | | | | | |
| 3 PLC | ± - | | | | | | | | | | | | | | |
| 4 PLC | ± - | | | | | | | | | | | | | | |
| ANGLES | ± - | | | | | | | | | | | | | | |
| MATERIAL - | FINISH - | WEIGHT - | SIZE A3 | CAGE CODE 00779 | | | | | | | | | | | |
| CUSTOMER DRAWING | | | DRAWING NO 1520238 | RESTRICTED TO - | | | | | | | | | | | |
| | | | SCALE 1:1 | SHEET 1 OF 4 | | | | | | | | | | | |
| | | | REV A | | | | | | | | | | | | |

| | | | | | | | |
|-------|------|---|-----|----------------|---------|-----|------|
| LOC | DIST | P | LTR | REVISIONS | DATE | DWN | APVD |
| AD 00 | | A | | DESCRIPTION | 25MAY01 | WL | WBH |
| | | A | | EC0G3G-0016-01 | | | |



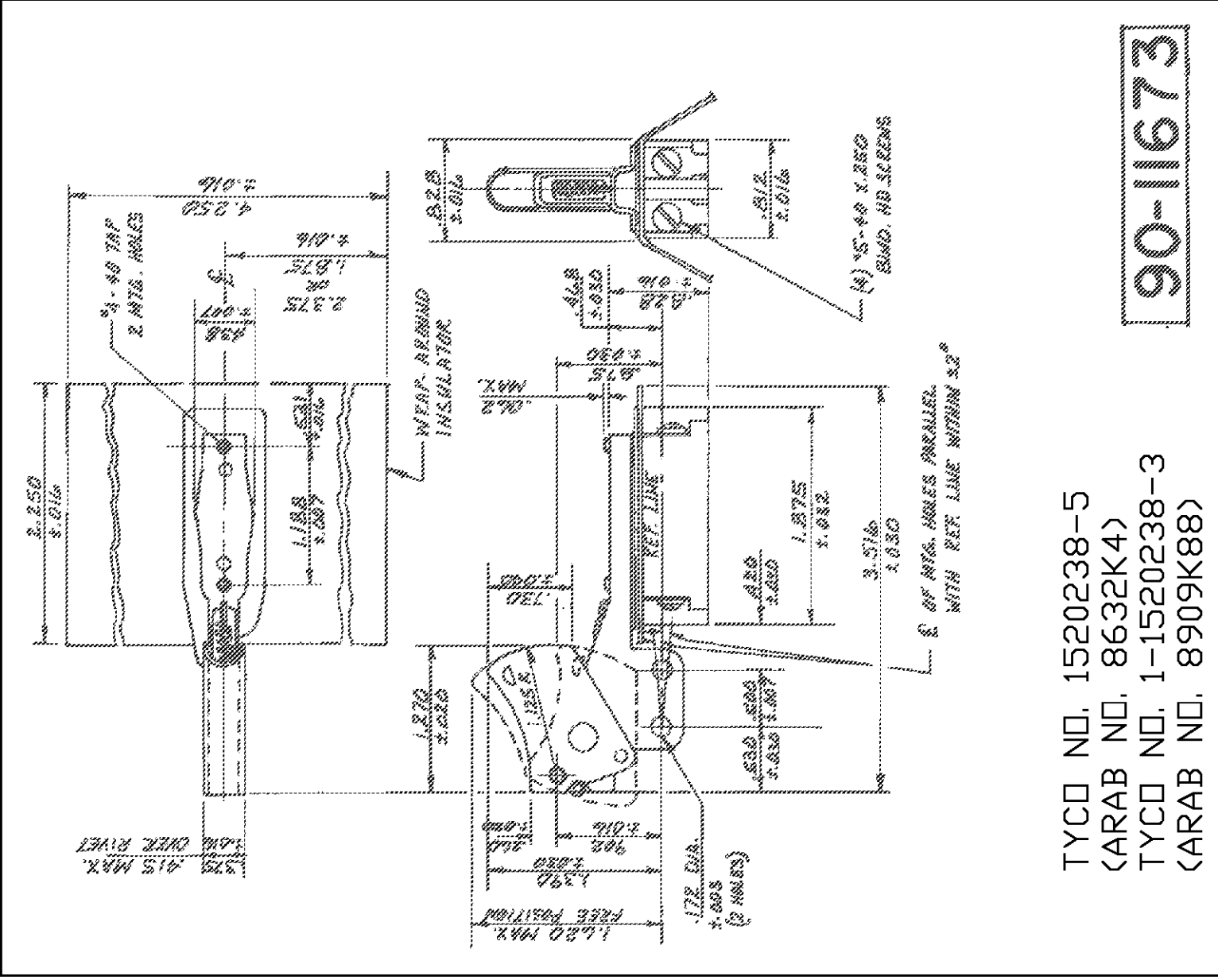
TYCO NO. 1520238-6
(ARAB NO. 8536K1)

| | | | | | |
|--|--|----------|--|------------------------------|--|
| DIMENSIONS: | | MATERIAL | | FINISH | |
| INCHES | | - | | - | |
| TOLERANCES UNLESS OTHERWISE SPECIFIED: | | 18FEB52 | | DWN N.G. KEAEN | |
| 0 PLC ± - | | 22FEB52 | | CHK S. SOTO | |
| 1 PLC ± - | | 23FEB52 | | APVD J. MENER | |
| 2 PLC ± - | | | | PRODUCT SPEC | |
| 3 PLC ± - | | | | APPLICATION SPEC | |
| 4 PLC ± - | | | | NAME | |
| ANGLES ± - | | | | TOOL HANDLE SWITCH | |
| | | | | Tyco Electronics Corporation | |
| | | | | Arab, AL 35016 | |
| | | SIZE | | DRAWING NO | |
| | | A4 | | 00779 | |
| | | SCALE | | RESTRICTED TO | |
| | | 1:1 | | - | |
| | | SHEET | | REV | |
| | | 3 OF 4 | | A | |
| CUSTOMER DRAWING | | | | | |

90-1251

THIS DRAWING IS UNPUBLISHED.
 ALL RIGHTS RESERVED.
 BY TYCO ELECTRONICS CORPORATION.

| | | | | | | | |
|-------|------|---|-----|----------------|---------|-----|------|
| LOC | DIST | P | LTR | DESCRIPTION | DATE | DWN | APVD |
| AD 00 | | | A | EC0G3G-0016-01 | 25MAY01 | WL | WBH |



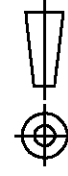
TYCO NO. 1520238-5
 (ARAB NO. 8632K4)
 TYCO NO. 1-1520238-3
 (ARAB NO. 8909K88)

90-11673

© COPYRIGHT - BY TYCO ELECTRONICS CORPORATION. ALL RIGHTS RESERVED.

THIS DRAWING IS UNPUBLISHED.

| | | | | |
|---|--|---------|-----------|--------------|
| DIMENSIONS: INCHES | DWN | 25MAY01 | MATERIAL | FINISH |
| | CHK | 30AUG83 | | |
| TOLERANCES UNLESS OTHERWISE SPECIFIED: 0 PLC ± - 1 PLC ± - 2 PLC ± - 3 PLC ± - 4 PLC ± - ANGLES ± - | APVD | 31AUG83 | | |
| | PRODUCT SPEC | | | |
| | APPLICATION SPEC | | | |
| | WEIGHT | | | |
| | C. MARDIS | | | |
| | B. THOMPSON | | | |
| | B. NEWLAND | | | |
| | NAME | | | |
| | Tyco Electronics Corporation Arab, AL 35016 | | | |
| | SIZE CAGE CODE DRAWING NO | | | |
| | A4 | 00779 | 1520238 | |
| | RESTRICTED TO | | | |
| | — | | | |
| | CUSTOMER DRAWING | | | |
| | | | SCALE 1:1 | SHEET 2 OF 4 |
| | | | | REV A |



单击下面可查看定价，库存，交付和生命周期等信息

[>>TE Connectivity\(泰科\)](#)