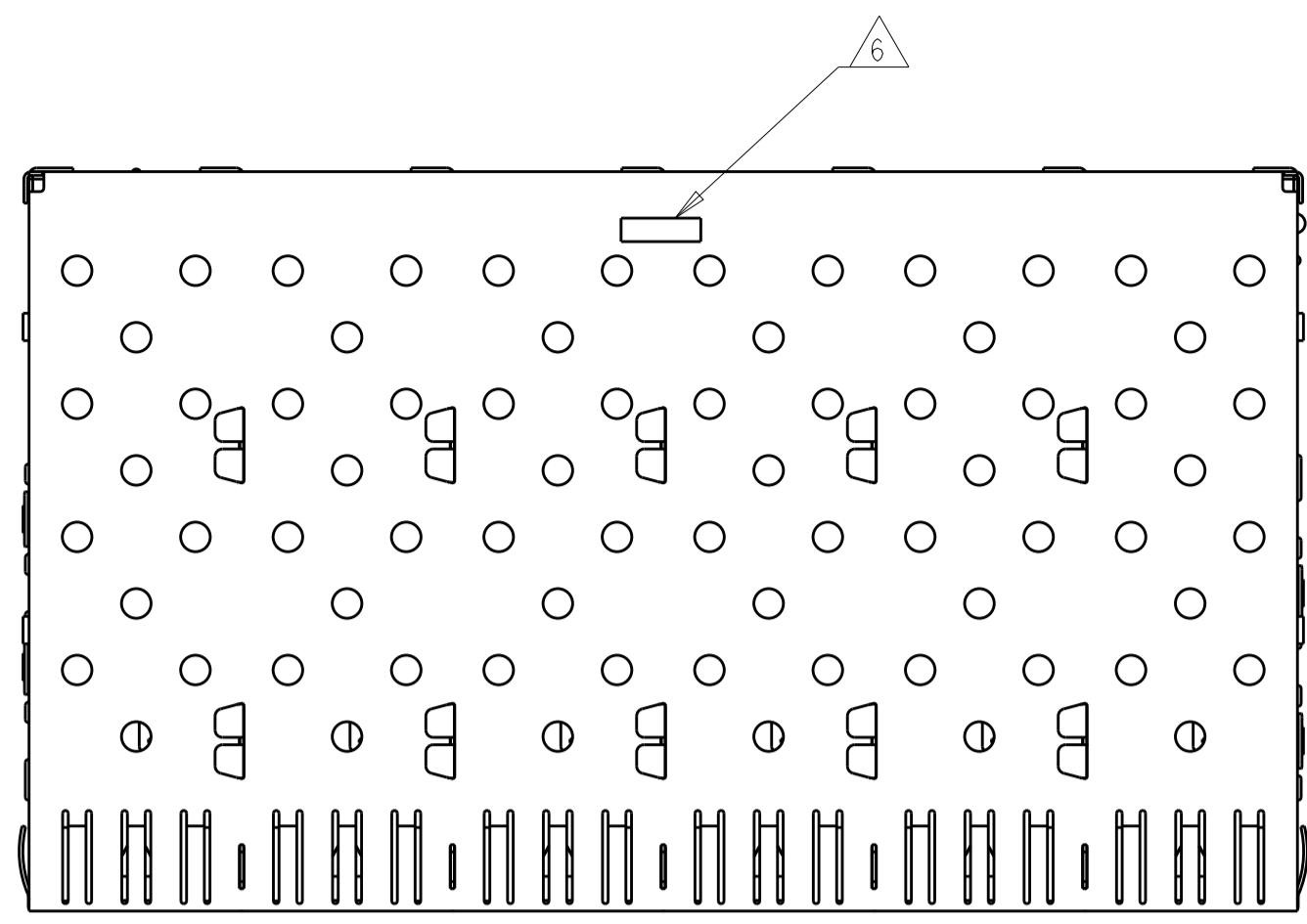
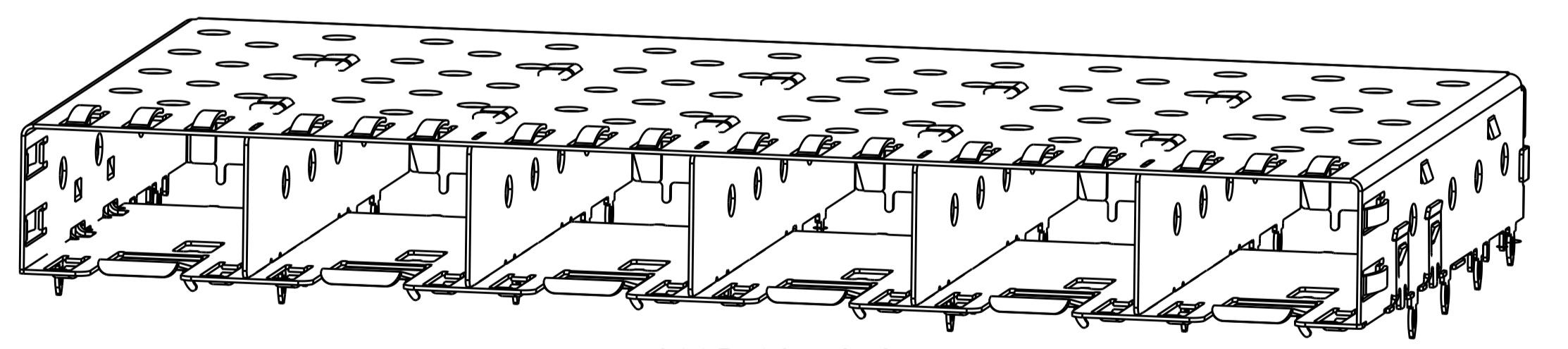
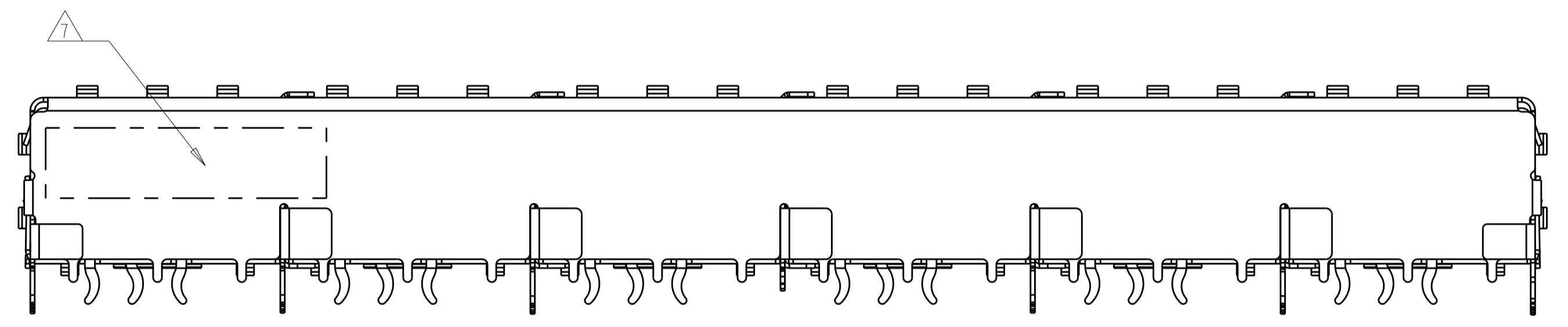
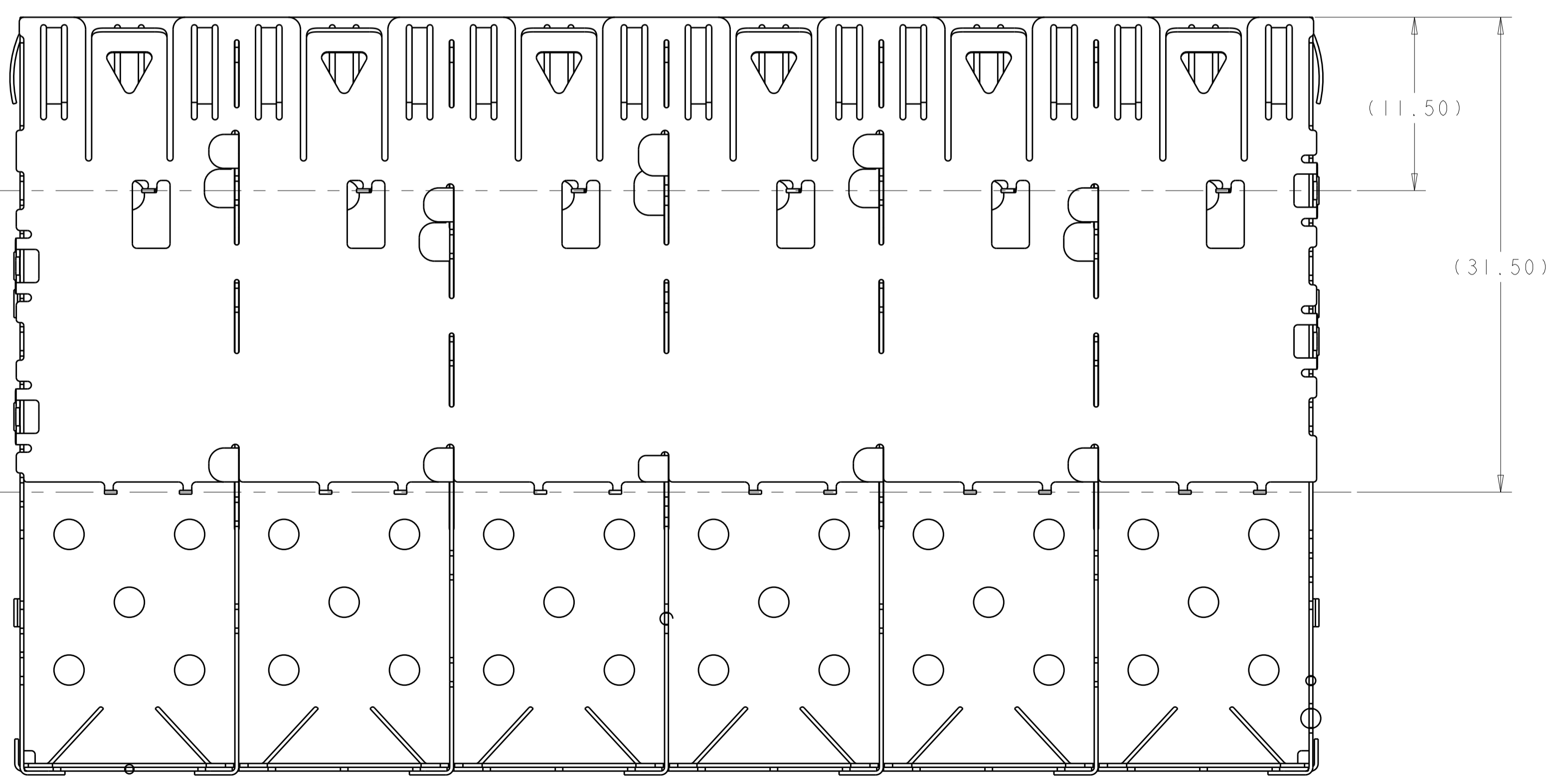
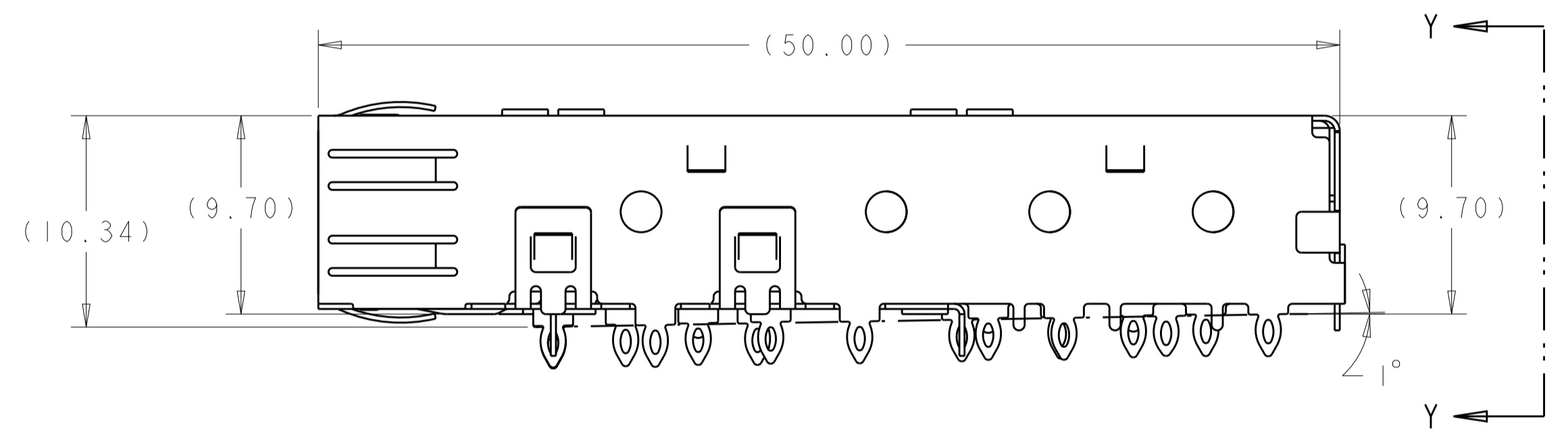
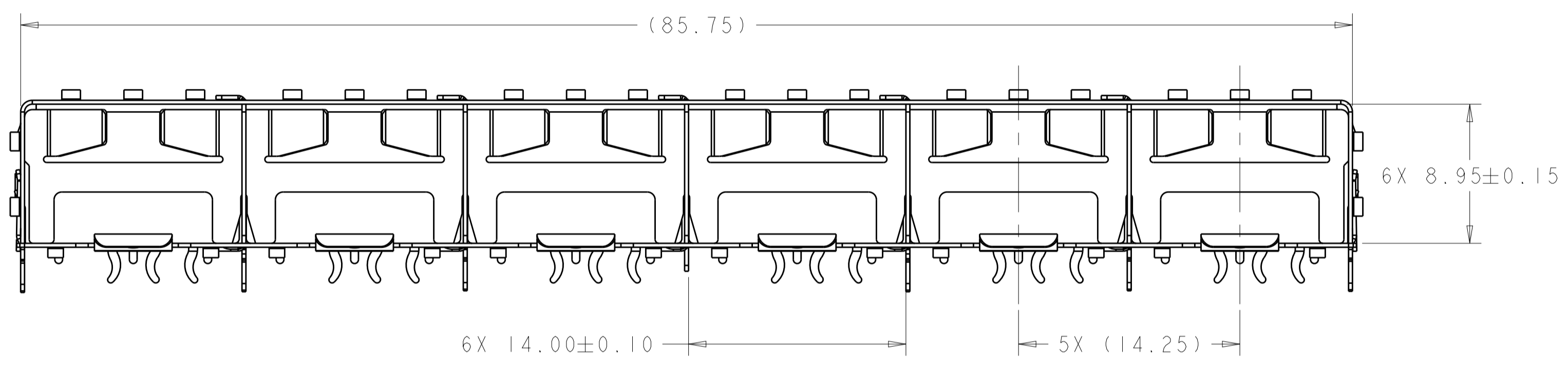


LOC	DIST	REV	DESCRIPTION	DATE	DMN	APVD
GP	00	B	ECO-10-015550	03AUG10	HMR	JP
		C	REVISED PER ECO-14-000886	20FEB2014	JW	SH
		C1	REVISED PER ECO-14-010419	11JUL2014	JW	SH
		D	REVISED PER ECO-15-013594	25SEP2015	JW	SH



SCALE 2:1

- △ MATERIAL: COPPER ALLOY
- △ TIN PLATING PER ASTM B 545, 1.25µm MINIMUM THICKNESS. ALL OVER NICKEL FLASH PER QQ-N-290. NON PLATED EDGES ARE PERMISSIBLE.
- △ DATUM AND BASIC DIMENSIONS ESTABLISHED BY CUSTOMERS.
- △ PADS AND VIAS CHASSIS GROUND.
- △ REFERENCE APPLICATION SPEC 114-13120, HOLE A, FOR RECOMMENDED DRILL HOLE DIAMETER AND PLATING THICKNESSES
- △ COMPANY LOGO IN APPROXIMATE AREA SHOWN
- △ DATE CODE AND PART NUMBER IN APPROXIMATE LOCATION SHOWN
- △ NICKEL SILVER ALLOY(NO PLATING)

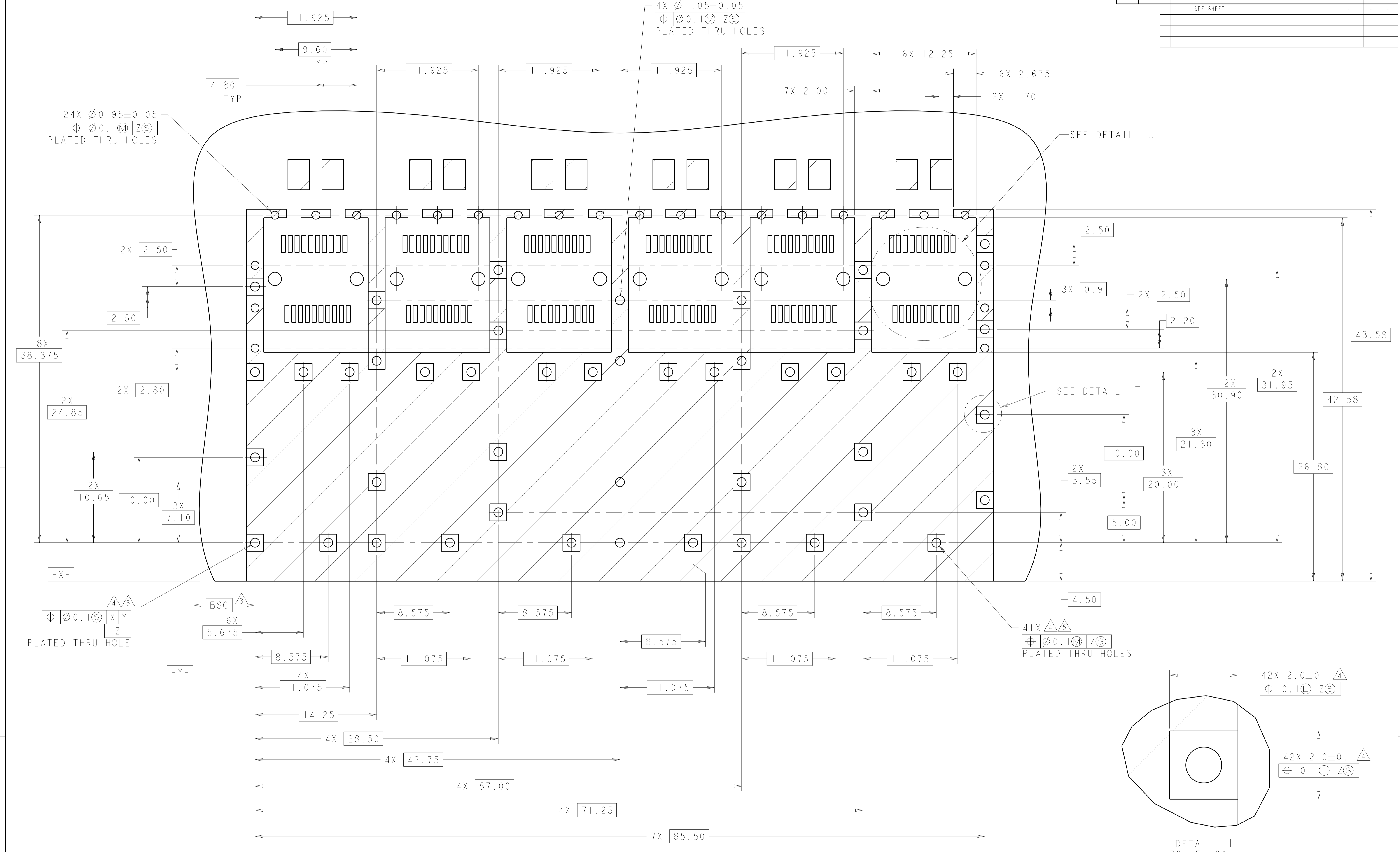


2007498-1&2
SCALE 3:1

SUPERSEDED BY:
2007498-2

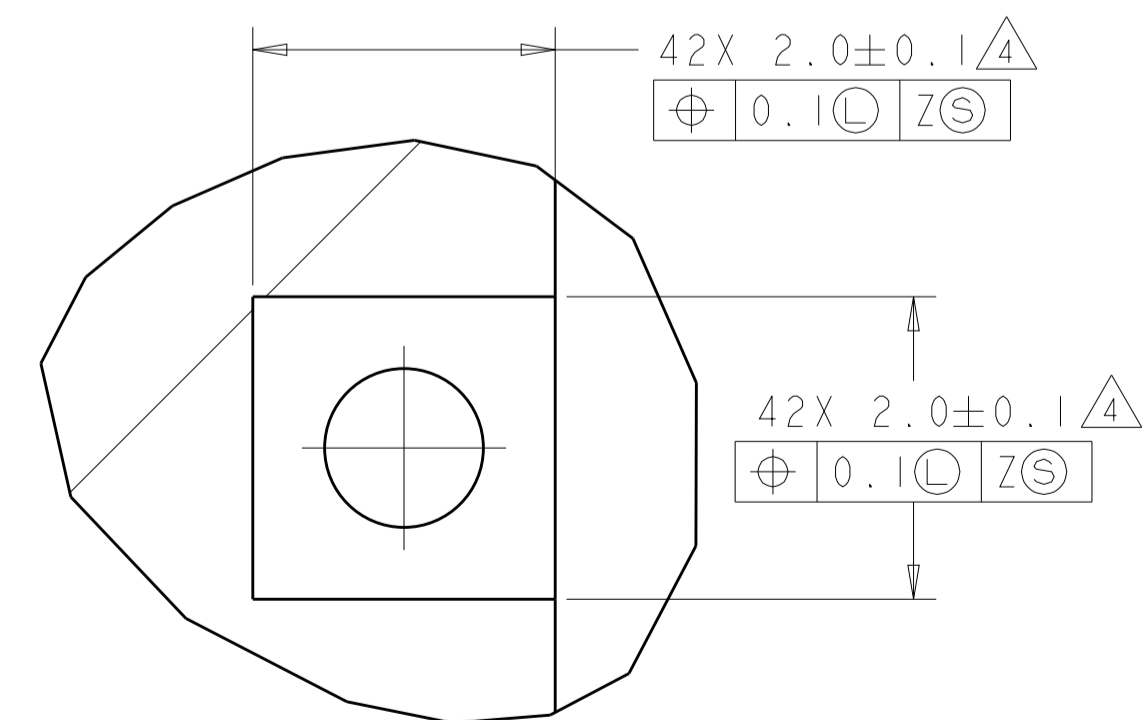
NO	△	1X6 CAGE ASSEMBLY	2007498-2
	△	1X6 CAGE ASSEMBLY	2007498-1
FINISH	MATERIAL	DESCRIPTION	PART NUMBER
THIS DRAWING IS A CONTROLLED DOCUMENT.			
DIMENSIONS:		DMN B. MCMASTER 03DEC07 CHM J. KOPPENHEFFER 03DEC07 APVD J. KOPPENHEFFER 03DEC07 PRODUCT SPEC APPLICATION SPEC WEIGHT CUSTOMER DRAWING	
TOLERANCES UNLESS OTHERWISE SPECIFIED: mm 0 PLC ± 1 PLC ± 2 PLC ± 3 PLC ± 4 PLC ± ANGLES ± FINISH		NAME ASSEMBLY, CAGE, PRESS FIT, 1X6, PCI, SFP SIZE CAGE CODE DRAWING NO RESTRICTED TO A100779C=2007498 SCALE 4:1 SHEET 1 OF 3 REV D	

LOC		DIST		REVISIONS			
GP	00	P	LTN	DESCRIPTION	DATE	OWN	APVD
-	-	-	-	SEE SHEET 1	-	-	-



SEE DETAIL U

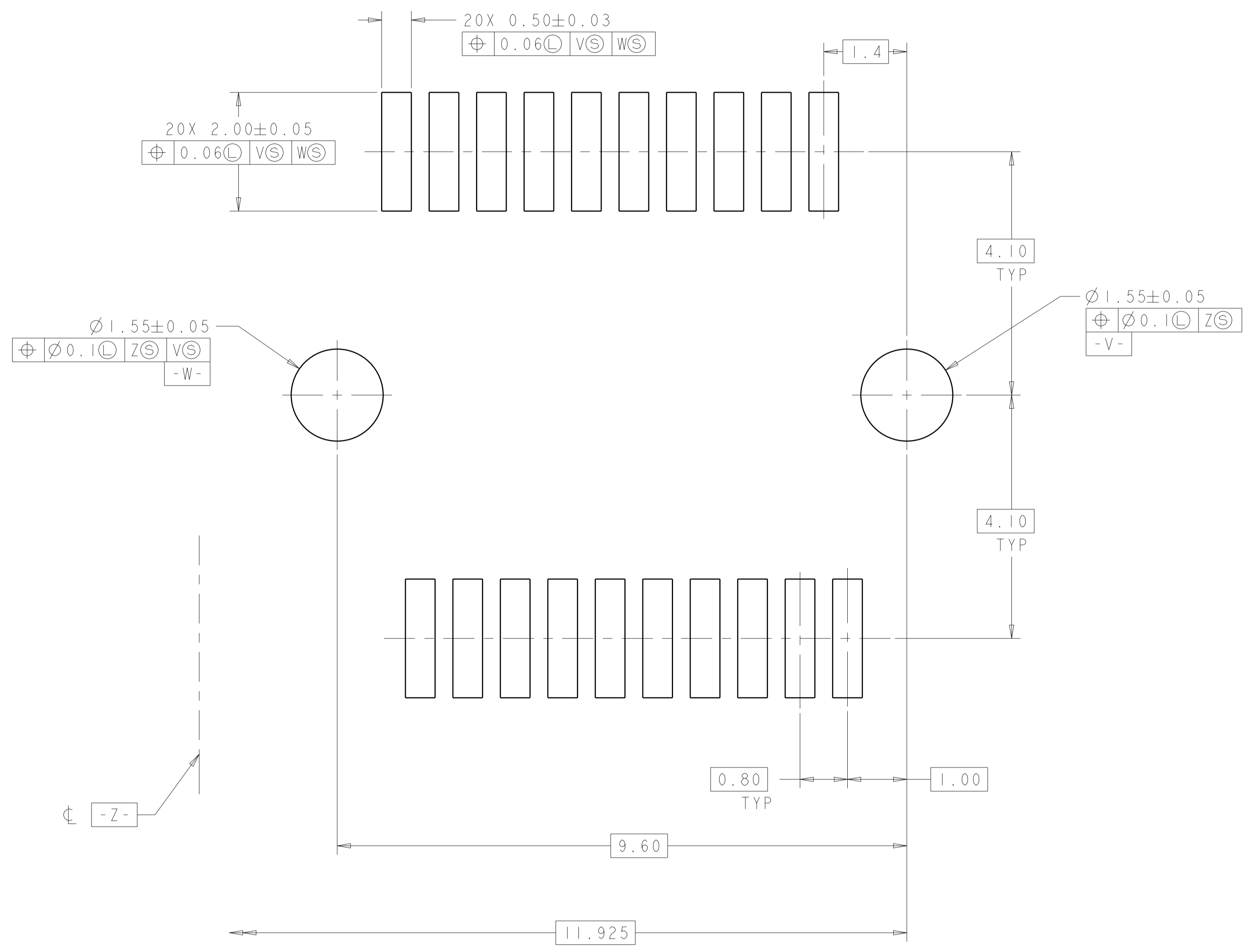
SEE DETAIL T



RECOMMENDED PCB CONFIGURATION
 SCALE 5:1

THIS DRAWING IS A CONTROLLED DOCUMENT.		OWN: B. MCMASTER 03DEC07	TE Connectivity
DIMENSIONS: mm		CHK: J. KOPPENHEFFER 03DEC07	
TOLERANCES UNLESS OTHERWISE SPECIFIED:		APVD: J. KOPPENHEFFER 03DEC07	NAME: ASSEMBLY, CAGE, PRESS FIT, 1X6, PCI, SFP
0 PLC ± 1 PLC ± 2 PLC ± 3 PLC ± 4 PLC ± ANGLES ±		PRODUCT SPEC: -	
MATERIAL: -		WEIGHT: -	RESTRICTED TO: -
FINISH: -		CUSTOMER DRAWING	SCALE: 4:1 SHEET 2 OF 3 REV D

LOC		DIST		REVISIONS			
P	LTN	DESCRIPTION	DATE	DMN	APVD		
-	-	SEE SHEET 1	-	-	-	-	-



DETAIL U
SCALE 20:1

THIS DRAWING IS A CONTROLLED DOCUMENT.		DMN B. MCMASTER 03DEC07	TE Connectivity
DIMENSIONS:		CHK J. KOPPENHEFFER 03DEC07	
TOLERANCES UNLESS OTHERWISE SPECIFIED:		APVD J. KOPPENHEFFER 03DEC07	
mm		NAME ASSEMBLY, CAGE, PRESS FIT, 1X6, PCI, SFP	
0 PLC ±	1 PLC ±	PRODUCT SPEC	SIZE CAGE CODE DRAWING NO
2 PLC ±	3 PLC ±	APPLICATION SPEC	RESTRICTED TO
4 PLC ±	ANGLES ±	WEIGHT	A100779C=2007498
MATERIAL	FINISH	CUSTOMER DRAWING	SCALE 4:1 SHEET 3 OF 3 REV D

单击下面可查看定价，库存，交付和生命周期等信息

[>>TE Connectivity\(泰科\)](#)