

THIS DRAWING IS UNPUBLISHED.

RELEASED FOR PUBLICATION

---

LOC

DIST

REVISIONS

© COPYRIGHT - By -

ALL RIGHTS RESERVED.

E

B

P

LTR

DESCRIPTION

DATE

DWN

APVD

C1

REVISED PER ECO-11-005150

21MAR11

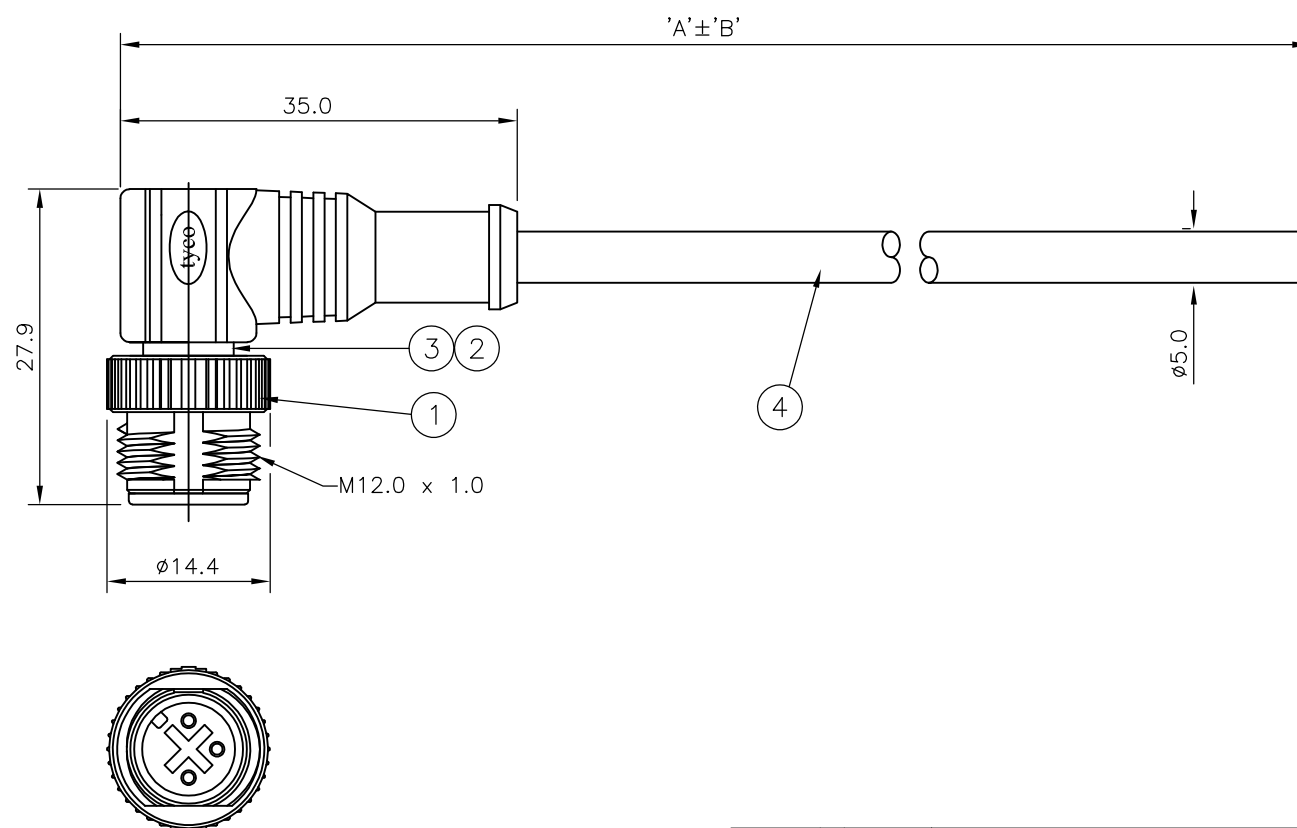
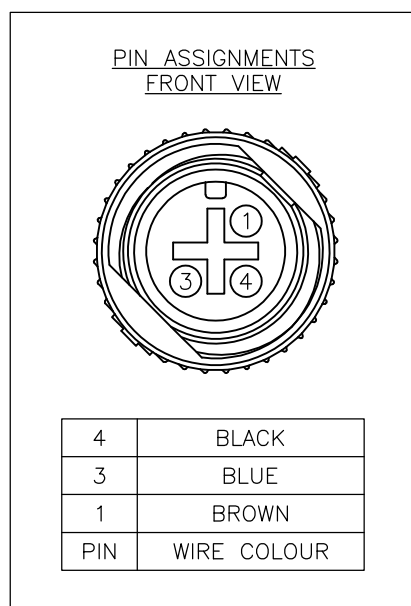
RK

HMR

NOTES:

- 1. ELECTRICAL DATA: CONTACT RESISTANCE: 10 mOhm MAX  
INSULATION RESISTANCE: 100 MOhm MIN at 500VDC  
CURRENT RATING: 5 AMPS  
BREAKDOWN VOLTAGE: 500 VAC MIN PER MINUTE
- 2. ENVIRONMENTAL: OPERATING TEMPERATURE: -20°C TO +80°C  
SEALING REQUIREMENTS: IP67
- 3. PROD SPEC: 108-3641
- 4. PACKAGING: 107-3334
- 5. FOR TECHNICAL DATA REFER TO YOUR LOCAL TE CONNECTIVITY SALES OFFICE
- 6. ALL DIMENSIONS ARE NOMINAL FOR REFERENCE ONLY UNLESS OTHERWISE STATED

ITEM	DESCRIPTION	MATERIAL	FINISH/COLOUR	QTY
1	SCREW NUT	ZINC DIE CAST	2.5µm NICKEL PLATED	1
2	CONNECTOR BODY	POLYURETHANE	BLACK	1
3	PIN CONTACT	BRASS	0.15µm GOLD PLATED OVER NICKEL	3
4	3 CORE CABLE (CORES 22AWG TO UL2464)	PVC JACKET UV RESISTANT	BLACK	1



10000	500 mm	M12 RIGHT ANGLED MALE CONNECTOR 10.0m CABLE	1838248-5
7000	350 mm	M12 RIGHT ANGLED MALE CONNECTOR 7.0m CABLE	1838248-4
5000	250 mm	M12 RIGHT ANGLED MALE CONNECTOR 5.0m CABLE	1838248-3
3000	150 mm	M12 RIGHT ANGLED MALE CONNECTOR 3.0m CABLE	1838248-2
2000	100 mm	M12 RIGHT ANGLED MALE CONNECTOR 2.0m CABLE	1838248-1
DIM A	TOL 'B'	DESCRIPTION	PART NUMBER

THIS DRAWING IS A CONTROLLED DOCUMENT.		DWN H M RAGHAVENDRA 22AUG05	<b>STE</b> TE Connectivity	
DIMENSIONS: mm		CHK F.WHEELER-KING 15DEC05		
TOLERANCES UNLESS OTHERWISE SPECIFIED:		APVD F.WHEELER-KING 15DEC05	NAME M12 RIGHT ANGLED MALE CONNECTOR 3 POSITION, PVC CABLE	
0 PLC ± - 1 PLC ± - 2 PLC ± - 3 PLC ± - 4 PLC ± - ANGLES ± -		PRODUCT SPEC -	SIZE A3	
MATERIAL -		FINISH -	CAGE CODE 00779	DRAWING NO C-1838248
		WEIGHT -	RESTRICTED TO -	
CUSTOMER DRAWING			SCALE NTS	SHEET 1 OF 1
			REV C1	

单击下面可查看定价，库存，交付和生命周期等信息

[>>TE Connectivity\(泰科\)](#)