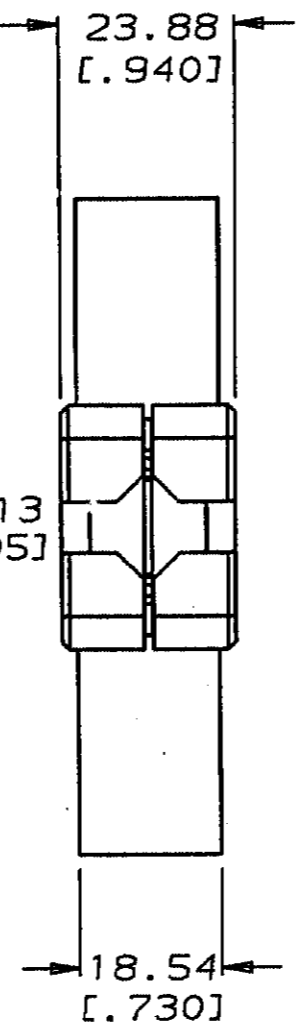
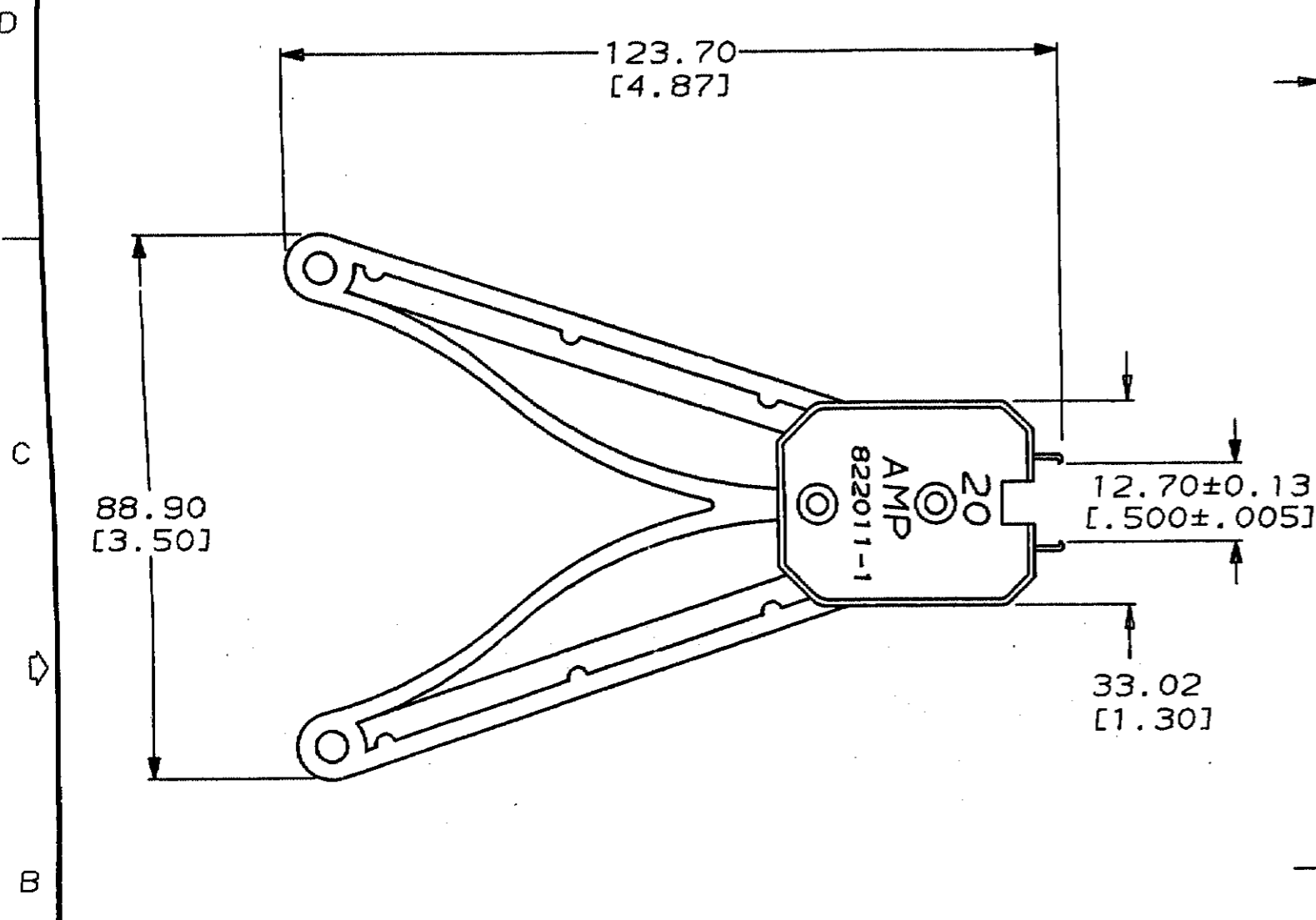


THIS DRAWING IS UNPUBLISHED. RELEASED FOR PUBLICATION
 © COPYRIGHT 19 BY AMP INCORPORATED. ALL INTERNATIONAL RIGHTS RESERVED.

LOC	DIST	P	F	ZONE	LTR	REVISIONS	DATE	APPD
AG	53				B	DESCRIPTION	10-27-92	PC
		✓				REVISED PER AG-3047		dv



822011-1 SHOWN

DO NOT SCALE PRINT. UNLESS SPECIFIED DIMENSIONS IN mm [INCHES] TOLERANCES ON: 2 PLC DEC ± 0.2 [.01] 3 PLC DEC ± 0.25 [.010] ANGLES * -		DR 8-1-91 C. WHITT CHK 8-1-91 R. MILLER APPD 8-7-91 K. KREIDLER APPD - PRODUCT SPEC - APPLICATION SPEC - WEIGHT -		PART NO AMP AMP Incorporated Harrisburg, PA 17105-3608 NAME TOOL, EXTRACTION, PLCC, 20 POSN. SIZE B CAGE CODE 00779 DRAWING NO 822011 SCALE 1:1 SHEET - OF -	
MATERIAL HANDLE- POLYACETAL END CAPS- POLYACETAL HOOK- STAINLESS STEEL 1.07±0.08 [.042±.003] THK FINISH HANDLE- COLOR, BLUE END CAPS- COLOR, BLUE					

CUSTOMER DRAWING

单击下面可查看定价，库存，交付和生命周期等信息

[>>TE Connectivity\(泰科\)](#)