

4

3

2

1

THIS DRAWING IS UNPUBLISHED.

RELEASED FOR PUBLICATION

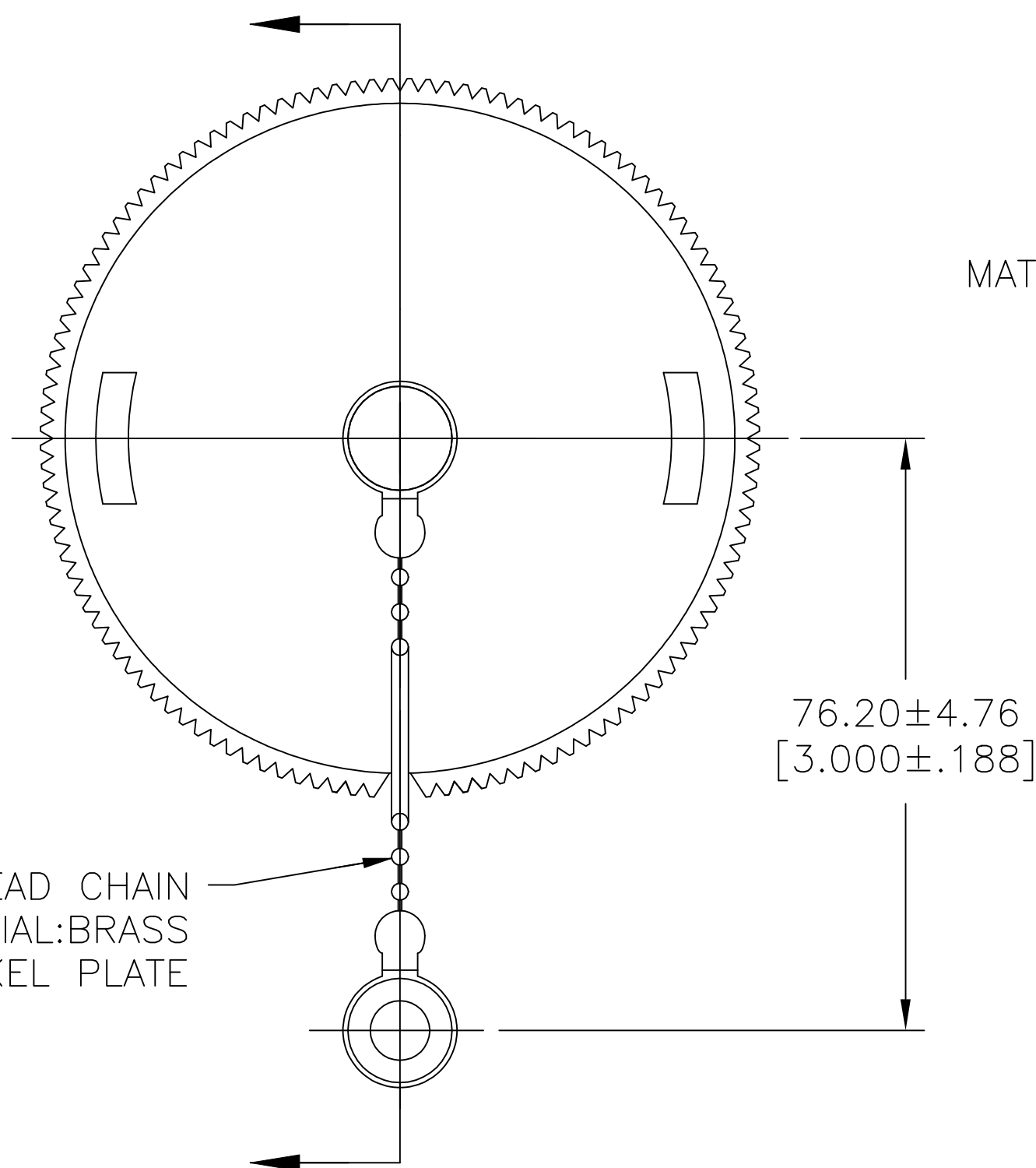
-, -

© COPYRIGHT - TE Connectivity Ltd.

ALL RIGHTS RESERVED.

REVISIONS

P	LTR	DESCRIPTION	DATE	DWN	APVD
C		REDRAWN & REV PER EC 0020-680-93	6-10-93	-	AF
D		REVISED PER ECO-19-001991	08FEB2019	RS	MZ

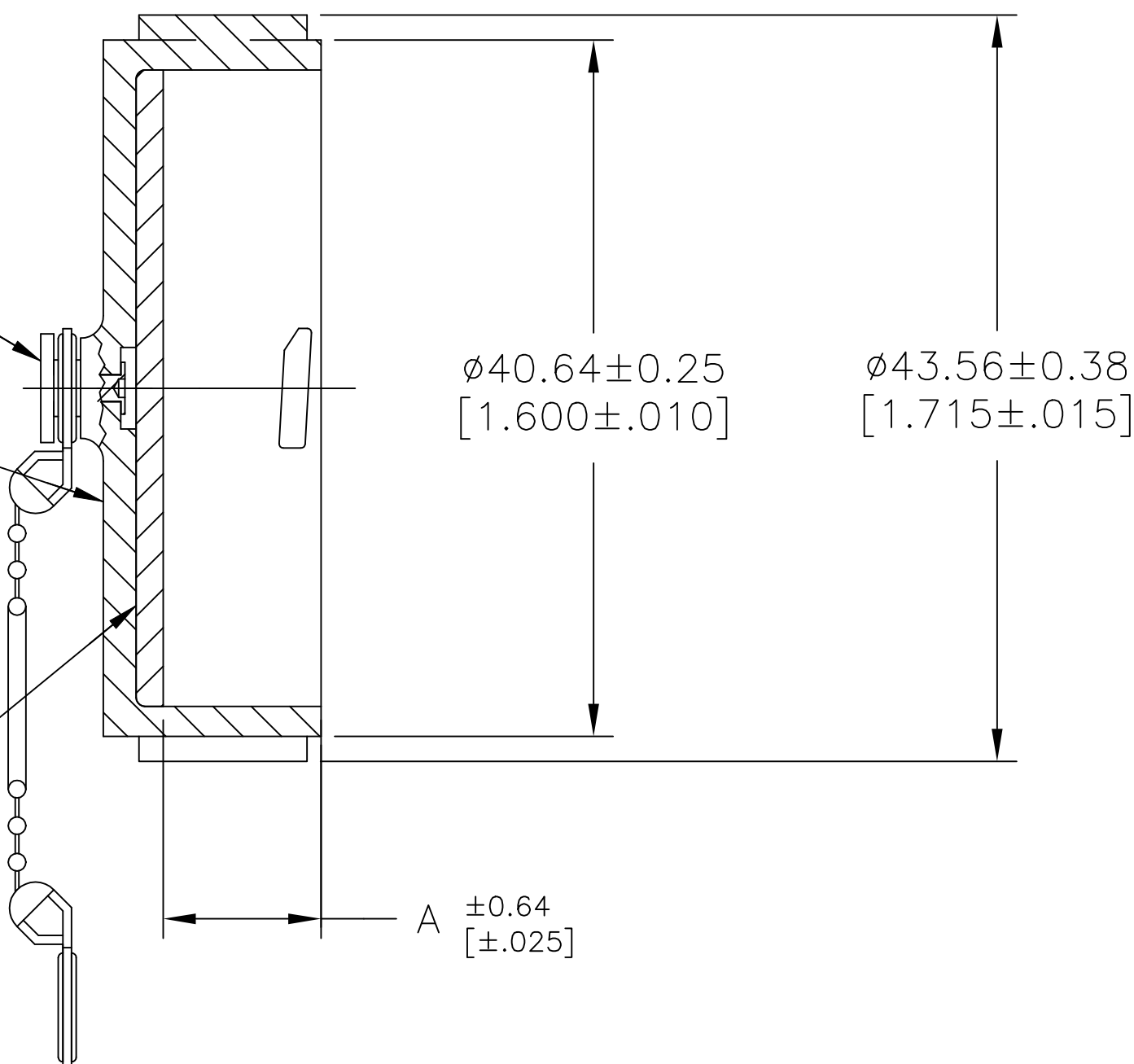


BEAD CHAIN
MATERIAL:BRASS
FINISH:NICKEL PLATE

RIVET
MATERIAL:CARBON STEEL
FINISH:ZINC PLATE
W/CLEAR CHROMATE

SEALING CAP
MATERIAL:THERMOPLASTIC
COLOR:BLACK

SEALING GASKET
MATERIAL:ELASTOMER
COLOR:BLACK



6.05 [.238]	208680-2
9.22 [.363]	208680-1
A	PART NUMBER

THIS DRAWING IS A CONTROLLED DOCUMENT.		DWN D.BROCKWAY 6-10-93	TE Connectivity			
DIMENSIONS: mm [INCHES]		CHK R.STONE 7-1-93				
TOLERANCES UNLESS OTHERWISE SPECIFIED:		APVD AL FRANTUM 7-1-93	NAME SEALING CAP ASSY, SIZE 23, WITH BEAD CHAIN, CPC			
 0 PLC ± - 1 PLC ± - 2 PLC ± 0.13 [.005] 3 PLC ± - 4 PLC ± - ANGLES ± -		PRODUCT SPEC -	APPLICATION SPEC -			
MATERIAL SEE CALLOUTS	FINISH SEE CALLOUTS	WEIGHT -	SIZE A3	CAGE CODE 00779	DRAWING NO C=208680	RESTRICTED TO -
CUSTOMER DRAWING			SCALE 2:1	SHEET 1 OF 1	REV D	

单击下面可查看定价，库存，交付和生命周期等信息

[>>TE Connectivity\(泰科\)](#)