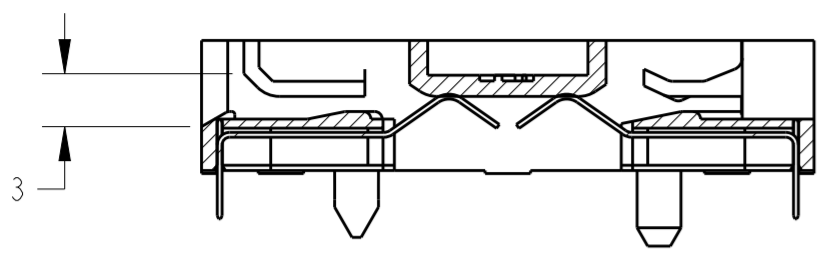


THIS DRAWING IS UNPUBLISHED. RELEASED FOR PUBLICATION  
 © COPYRIGHT - ALL RIGHTS RESERVED.

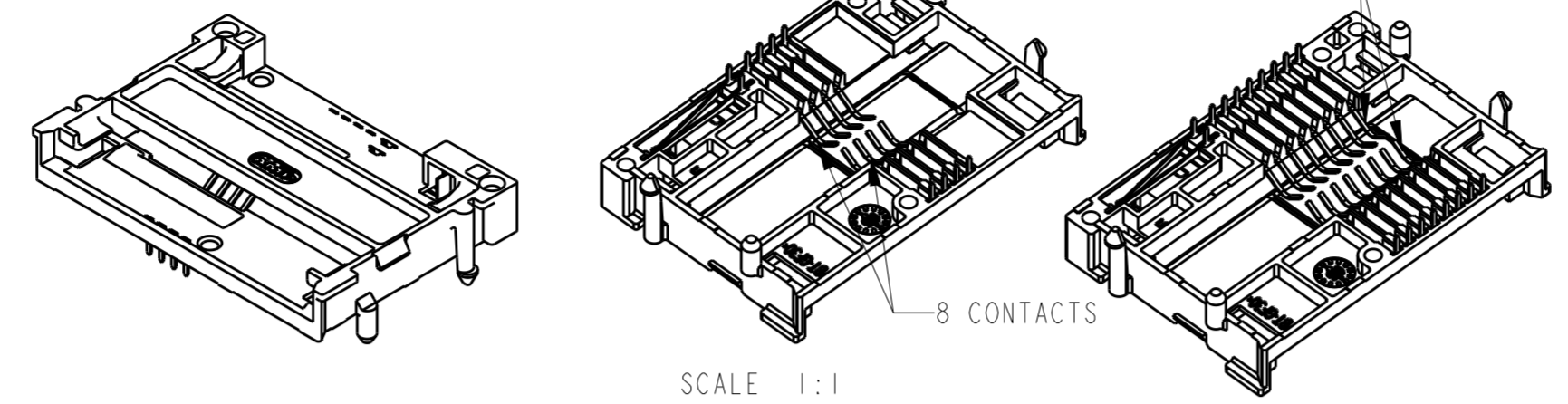
PN 5953398-1

PN 5953398-2

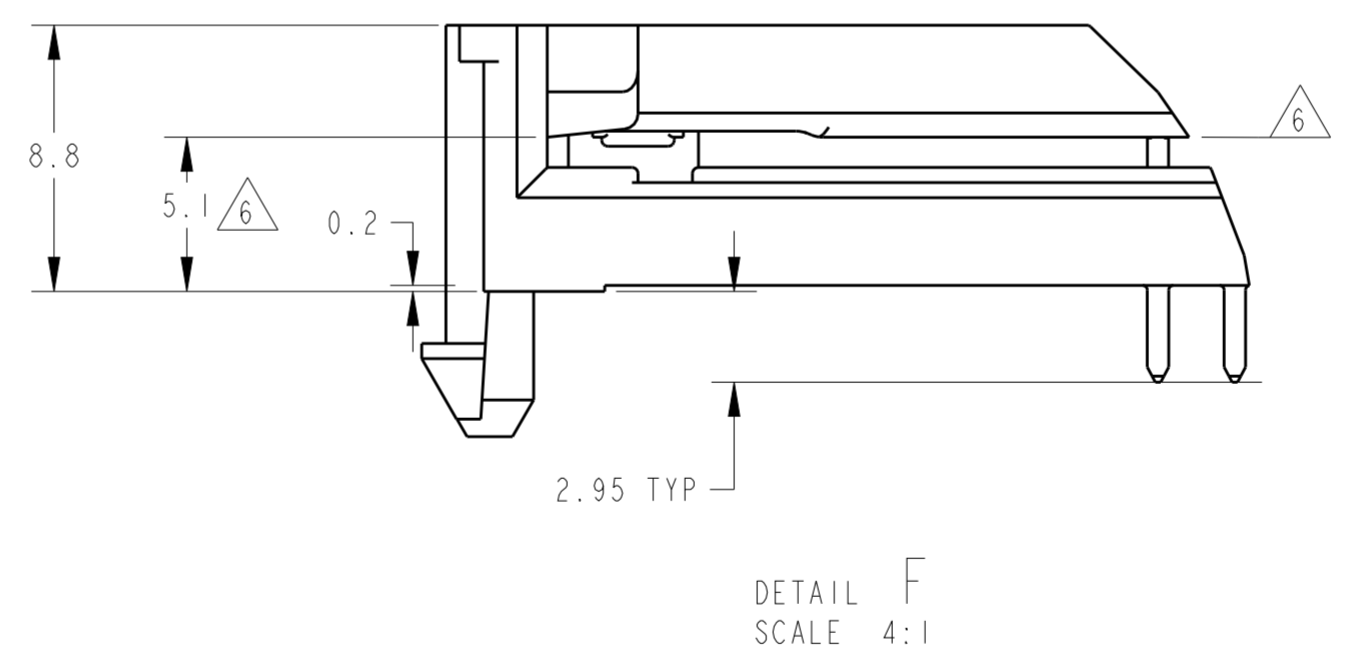
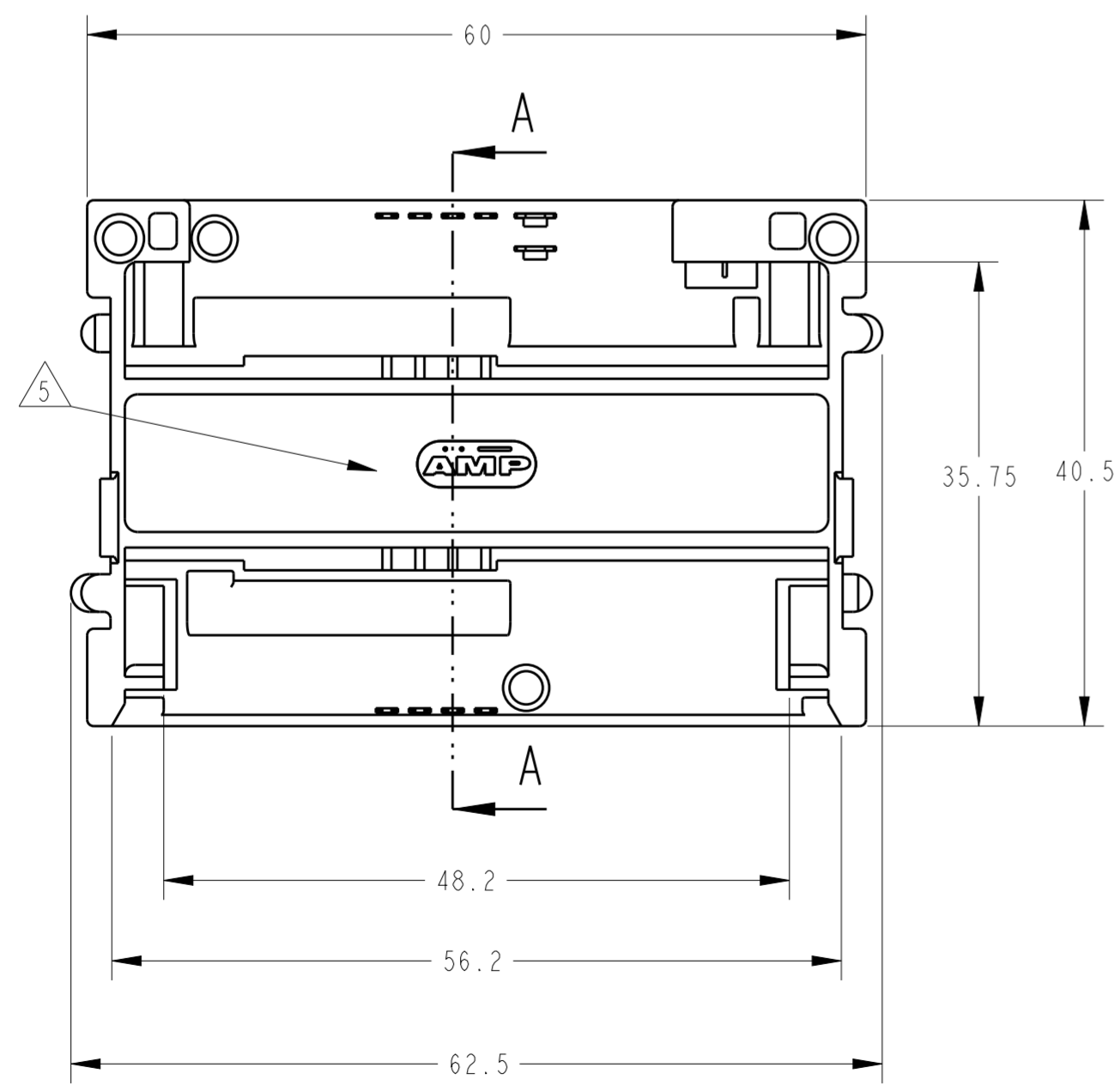
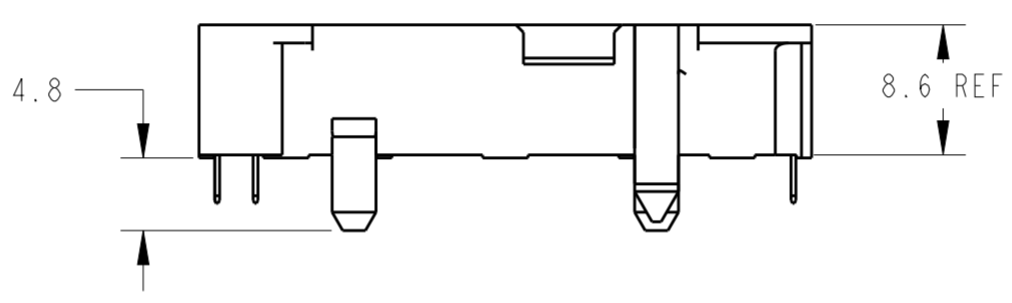
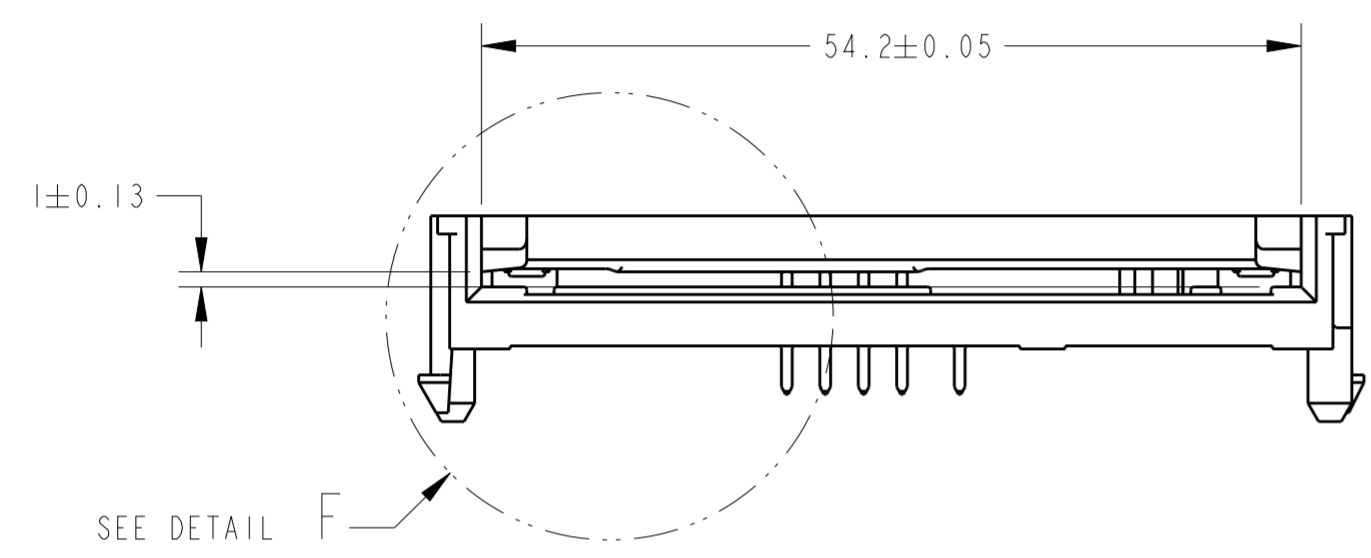
LOC		DIST		REVISIONS			
P	LTR	DESCRIPTION	DATE	DWN	APVD		
D		ECR-11-025634	20DEC2011	GG	RRP		
DI		REVISED PER ECR-19-006701	26APR2019	R.Z	S.L		



SECTION A-A



SCALE 1:1



DETAIL F  
SCALE 4:1

NOTES:

CONTACTS PLATING :

- 1 OVERALL: Ni 2µm MIN, ALL OVER THE CONTACTS.  
SOLDER ZONE: Sn 2.5µm MIN ON THE SOLDER ZONE OF THE CONTACTS.  
MATING ZONE: PLATING CONFIRMS TO PRODUCT REQUIREMENTS AS PER SPECIFICATION 108-15202.

MATERIAL :

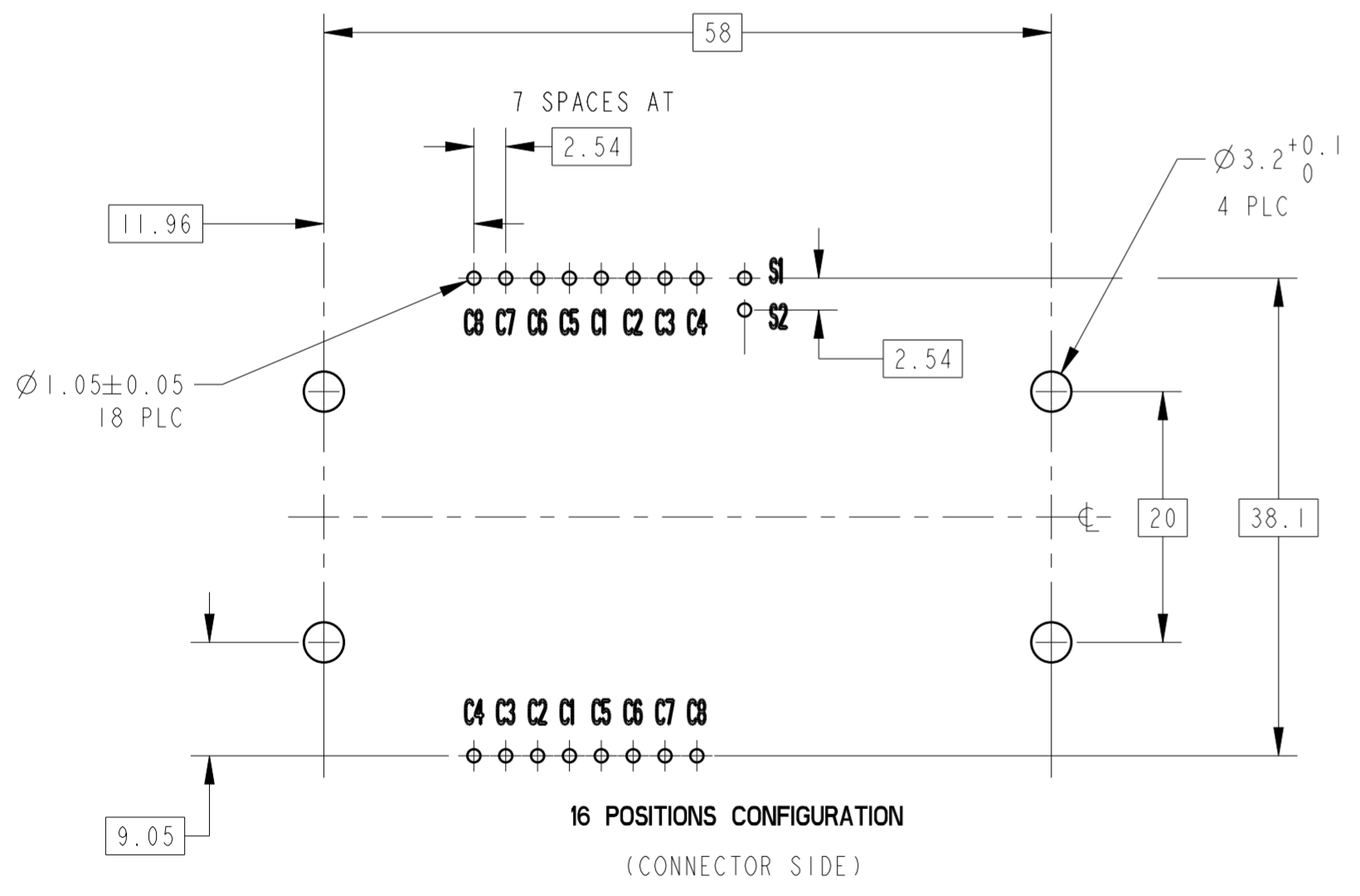
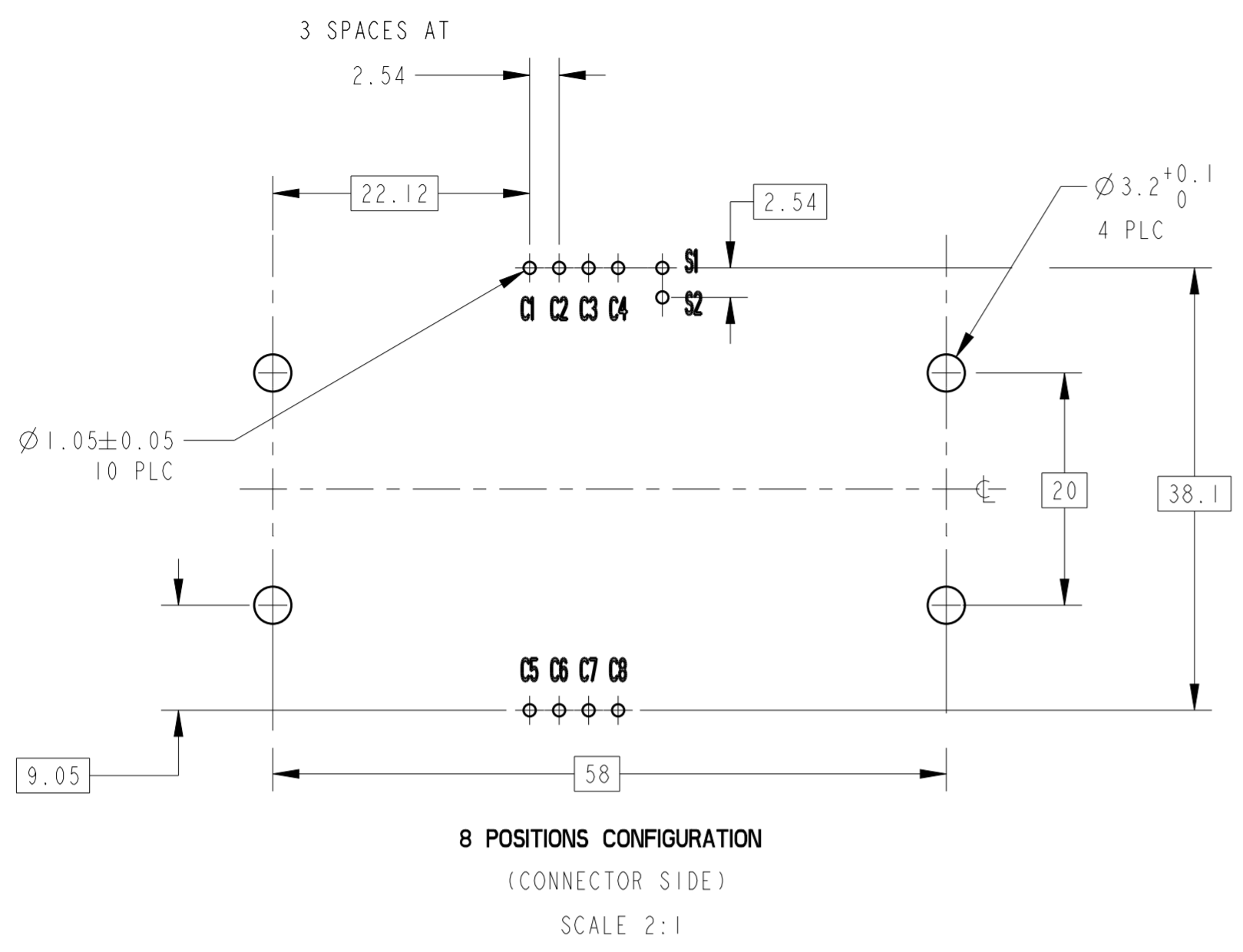
- 2 HOUSING: PBT-GF, BLACK UL 94V0.  
CONTACTS: PHOSPHOR BRONZE.
- 3 TE SMART CARD RECEPTACLE DESIGNED TO ACCEPT ISO 7810-7816 TYPE INTEGRATED CIRCUIT SMART CARDS (0.76MM REF. THICKNESS) SEE SHEET 2/2
- 4 8 POSITIONS 5953398-1 SHOWN ON DRAWING
- 5 LOGO SHAPE AND POSITION VARY DEPENDING ON MOLD CAVITY NUMBER.
- 6 DIMENSION APPLICABLE IN CARD CONTACT AREA ONLY SURFACE VARY DEPENDING ON MOLD CAVITY NUMBER

<b>DI</b>	<b>OBSOLETE</b>	PartNumber : 5953398-1	8 POSITIONS ISO 7816
		PartNumber : 5953398-2	16 POSITIONS ISO / CP8 AFNOR

THIS DRAWING IS A CONTROLLED DOCUMENT.		DWN R. Coolen 16 Dec 04	<b>STE</b> TE Connectivity	
DIMENSIONS: mm		CHK W. Jansen		
TOLERANCES UNLESS OTHERWISE SPECIFIED:		APVD P. Jaeger	NAME	
0 PLC ±0,5	1 PLC ±0,3	PRODUCT SPEC	SMART CARD READER 0.76	
2 PLC ±0,13	3 PLC ±	APPLICATION SPEC	PCB MOUNT THROUGH HOLE, LOW PROFILE	
4 PLC ±	ANGLES ±	WEIGHT 8,5/9 g	SIZE A2	RESTRICTED TO
MATERIAL	FINISH	CUSTOMER DRAWING	DRAWING NO. C-5953398	REV DI

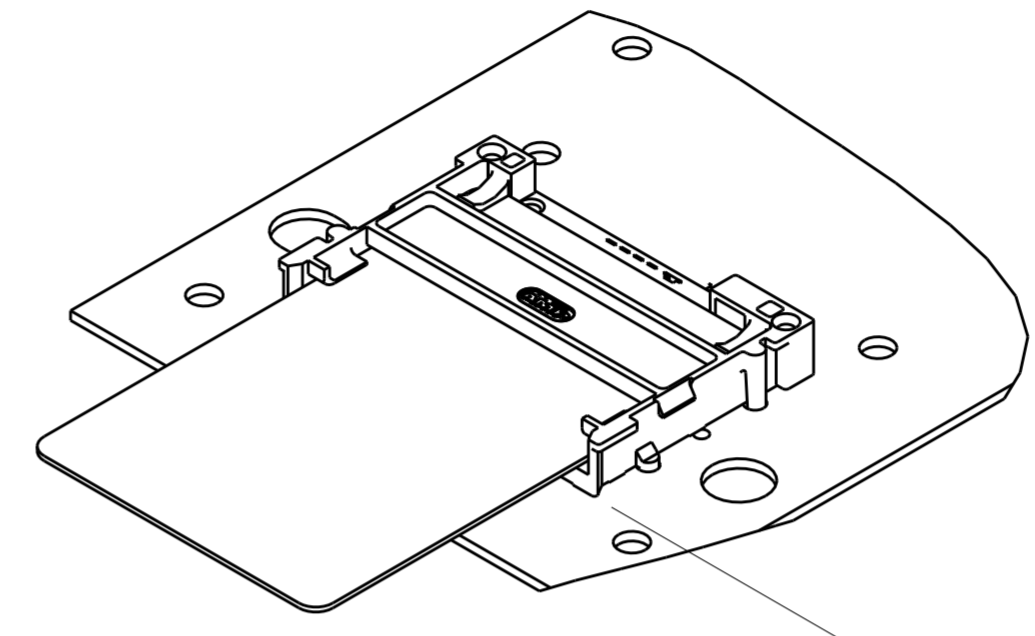
THIS DRAWING IS UNPUBLISHED. RELEASED FOR PUBLICATION  
 © COPYRIGHT - ALL RIGHTS RESERVED.

LOC	DIST	REVISIONS					
IR	-	P	LTR	DESCRIPTION	DATE	DWN	APVD
		-		SEE SHEET 1	-	-	-

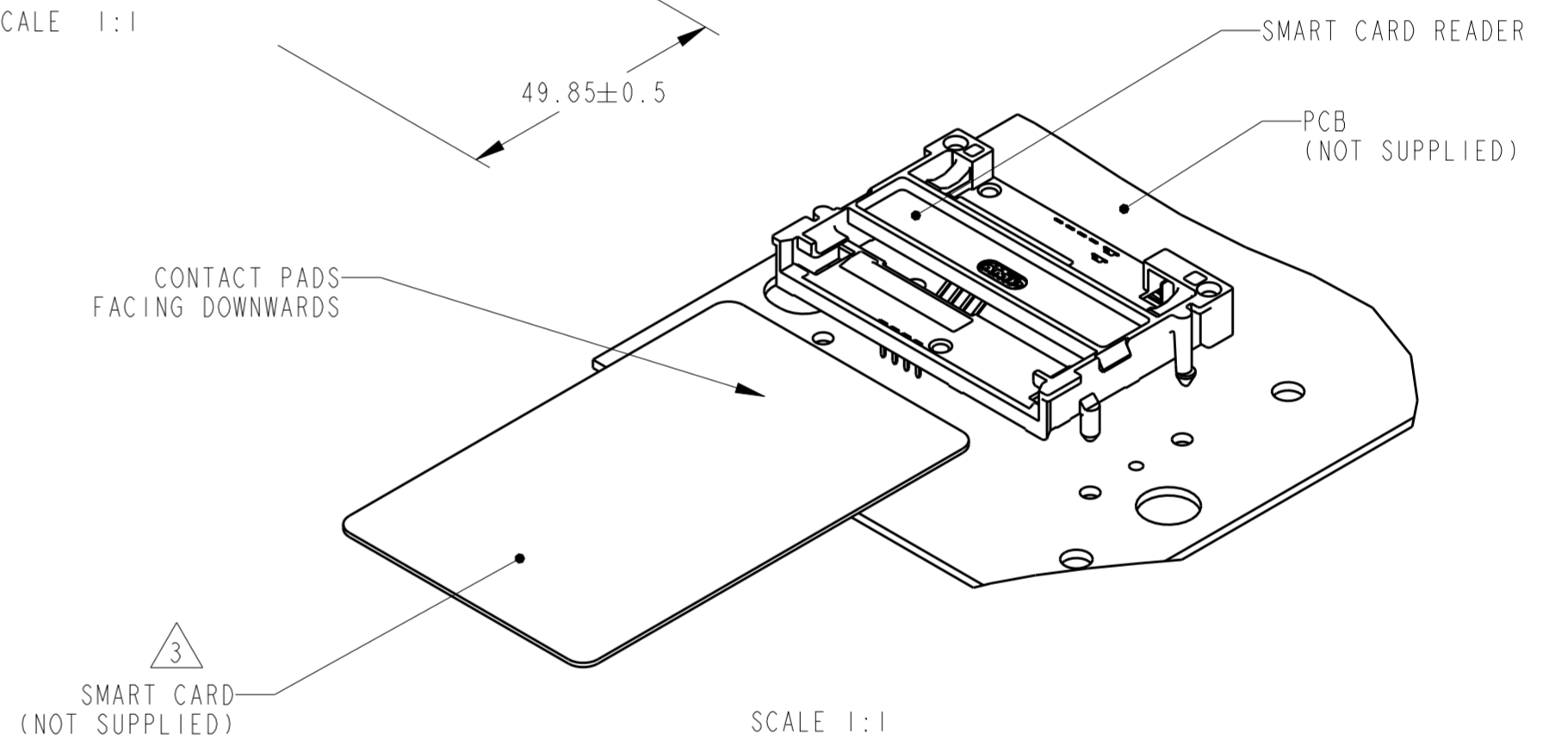


POSITION TOLERANCE FOR ALL HOLES  $\text{⊕} \text{ } \text{⌀} 0.1$   
 PCB BOARD THICKNESS 1.57±0.1 (.062)

**RECOMMENDED PCB LAYOUT**



SCALE 1:1



THIS DRAWING IS A CONTROLLED DOCUMENT.		DWN R. Coolen 16 Dec 04	TE Connectivity	
DIMENSIONS: mm		CHK W. Jansen		
TOLERANCES UNLESS OTHERWISE SPECIFIED:		APVD P. Jaeger	PRODUCT SPEC 108-15202	SIZE A2
0 PLC ±0.5 1 PLC ±0.3 2 PLC ±0.13 3 PLC ± 4 PLC ± ANGLES ± FINISH ±		APPLICATION SPEC -	RESTRICTED TO -	SCALE 1:1
MATERIAL -		WEIGHT 8,5/9 g	DRAWING NO C-5953398	SHEET 2 OF 2
CUSTOMER DRAWING		REV D1		

单击下面可查看定价，库存，交付和生命周期等信息

[>>TE Connectivity\(泰科\)](#)