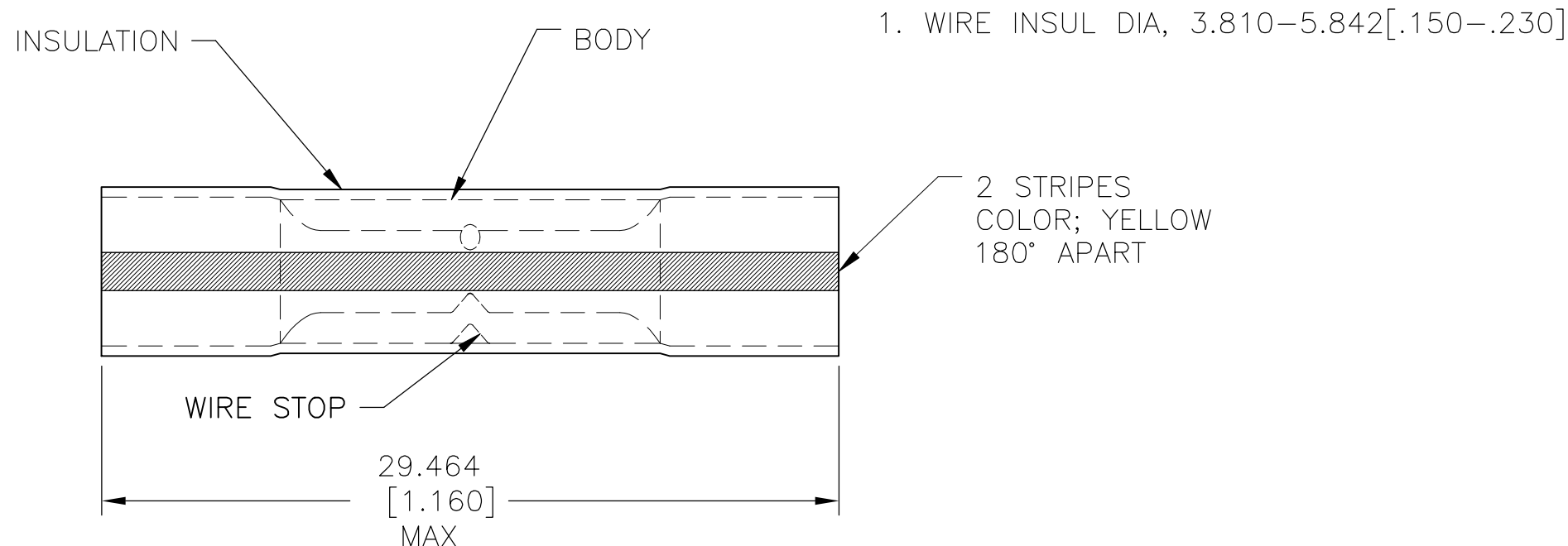


P	LTR	DESCRIPTION	DATE	DWN	APVD
	E	REV/0720-0612-95	31MAY95	-	ME
	E1	REVISED PER ECO-17-014338	28MAR2018	RS	DR



QTY	PACKAGE TYPE	MATERIAL & FINISH	PART NO
1500	ON TAPE, REEL	BODY, COPPER PER ASTM B-152 TIN PL 0.00254[.000100] MIN THK PER ASTM B545	55793-2
500	LOOSE PIECE	INSULATION, VINYL COLOR, TRANSPARENT	55793-1

THIS DRAWING IS A CONTROLLED DOCUMENT.		DWN DK SCHRUM 10/8/90	<b>STE</b> TE Connectivity Ltd.		
		CHK MS FEHER 10/9/90			
DIMENSIONS: mm [INCHES]		APVD PJ RUELIUS 10/12/90	NAME SPLICE, BUTT, PLASTI-GRIP, WIRE SIZE, 12-10 AWG		
TOLERANCES UNLESS OTHERWISE SPECIFIED:		PRODUCT SPEC UL 486A-B	RESTRICTED TO		
0 PLC ± -		APPLICATION SPEC 114-2161	SIZE A3	CAGE CODE 00779	DRAWING NO C-55793
1 PLC ± -		WEIGHT	SCALE 4:1 SHEET 1 OF 1 REV E1		
2 PLC ± -		MATERIAL SEE TABLE			
3 PLC ± 0.127[.005]		FINISH SEE TABLE			
4 PLC ± -		CUSTOMER DRAWING			
ANGLES ± -					

单击下面可查看定价，库存，交付和生命周期等信息

[>>TE Connectivity\(泰科\)](#)