

DWG NO.

DO NOT SCALE

METRIC

3rd ANGLE PROJECTION

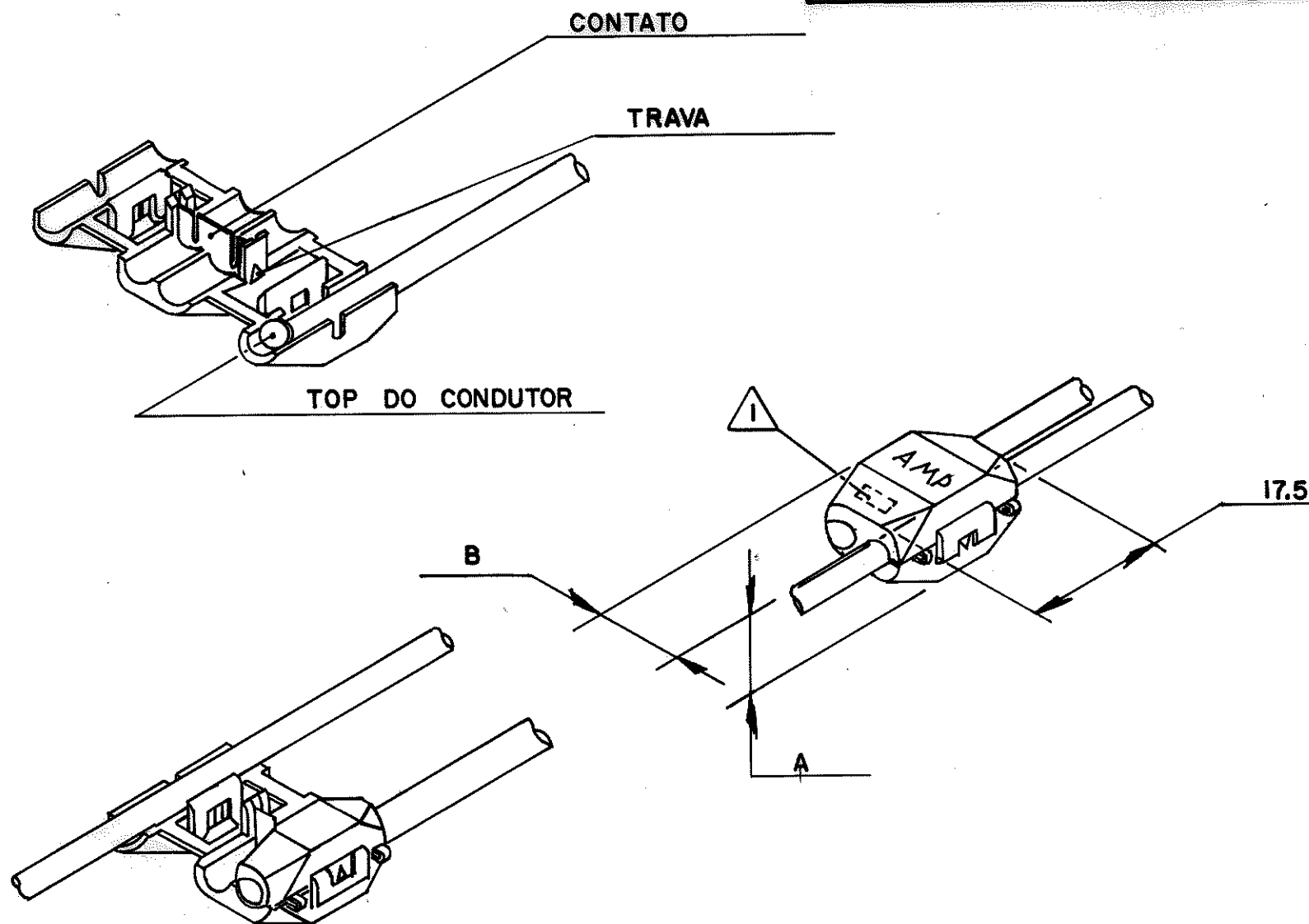
REQ. PER ASSY

ITEM

DESCRIPTION

MATERIAL

FINISH



- 1 GRAVAR BITOLA DE FIOS DE ACORDO COM TABELA ABAIXO.
- 2 ETIQUETA PN 493294-1 APENAS PARA PMSP.
- 1 ENGRAVE WIRE DIMENSION ACC. TO TABLE BELLOW.
- 2 LABEL PN 493294-1 ONLY FOR PMSP.
- 3 OBSOLETE PARTS: OBSOLETE CIS STREAMLINING PER D.RENAUD/D.SINISI

3	OBSOLETE	↑	↑	↑	05 - 0,8	RED	↑	626437-4	
		↑	↑	↑	↑	BLACK	NYLON 6/6 UV PROTECTED	626437-3 2	
		12,6	10,0	4	1,0 - 2,5	BLUE	NYLON 6/6	626437-2	
		B	A	Ø MAX. ISOLATING (mm)	WIRE DIM. mm ²	COLOUR	ISOLATOR	CONTACT	PART NUMBER

CUSTOMER DWG for REFERENCE ONLY

THIS DRAWING IS UNPUBLISHED RELEASED FOR PUBLICATION
© COPYRIGHT 19 BY AMP DO BRASIL LTDA S.P. ALL INTERNATIONAL RIGHTS RESERVED AMP PRODUCTS MAY BE COVERED BY U.S. AND FOREIGN PATENTS AND/OR PATENTS PENDING.

TOLERANCES UNLESS OTHERWISE STATED
DEC. ± 1.0
ANGLES ± 1°
INS. DIA. RANGE WIRE RANGE SCALE

DR. 04 DEC 97
C.A.FERNANDES
AMP do BRASIL LTDA. São Paulo, Brasil

E1	REVISED PER ECO-09-026444	KK	AEG	27NOV09	CHK.	15 Jan 98
E	REVISED BY LE.10.0445/04	H.C.		31Jan.03	J.A.VIEIRA	
D	REVISED BY LE.10.0277/04	H.C.		28.09.04		
C1	REDRAW LBOO 437/97	C.A.F.		4.12.97		
ISS	REVISION	RECORD	ECN	DR	DATE	APP.
				CHK		J.A.LA SALVIA

DESCRIPTION
ELECTRO-TAP

DWG NO. C 626437 SHEET 1 OF 1

单击下面可查看定价，库存，交付和生命周期等信息

[>>TE Connectivity\(泰科\)](#)