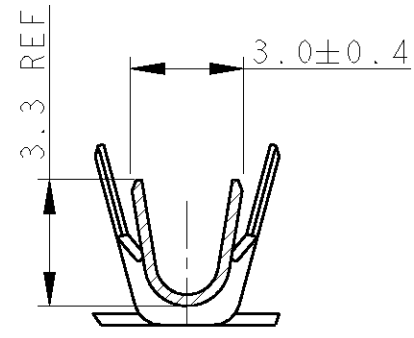
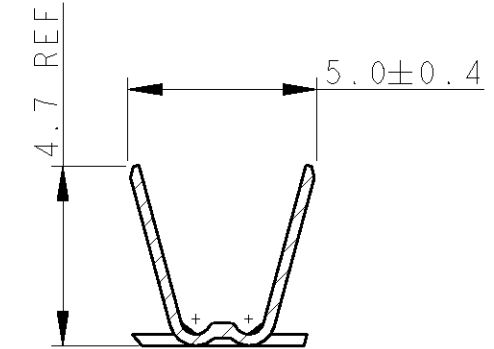


THIS DRAWING IS A CONTROLLED DOCUMENT. DWG NO C345261

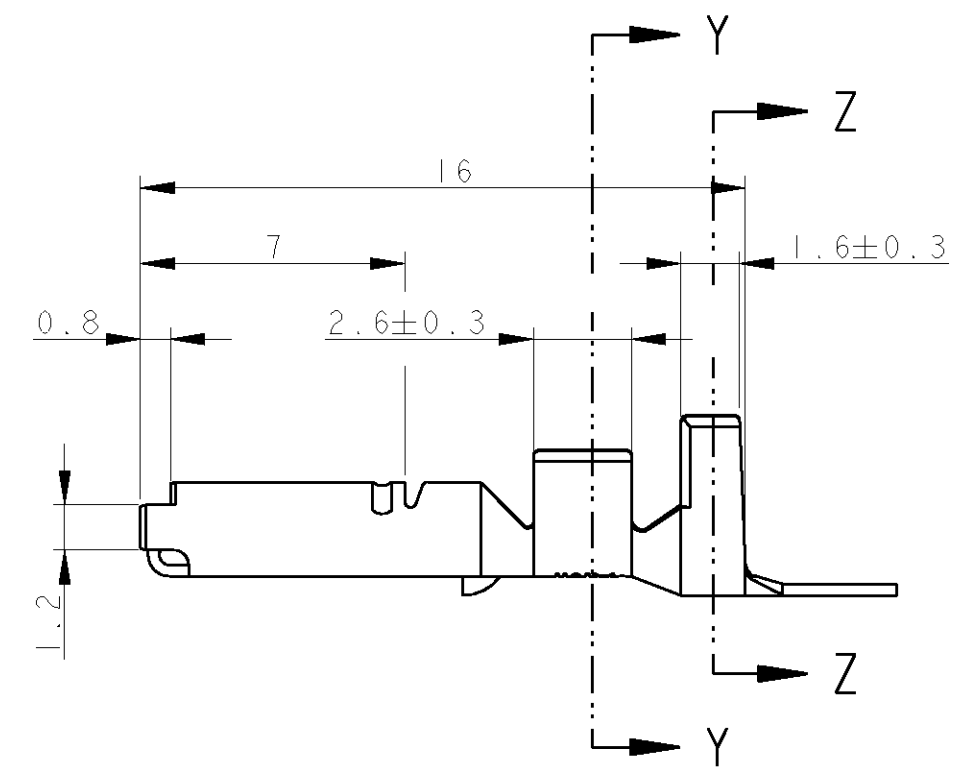
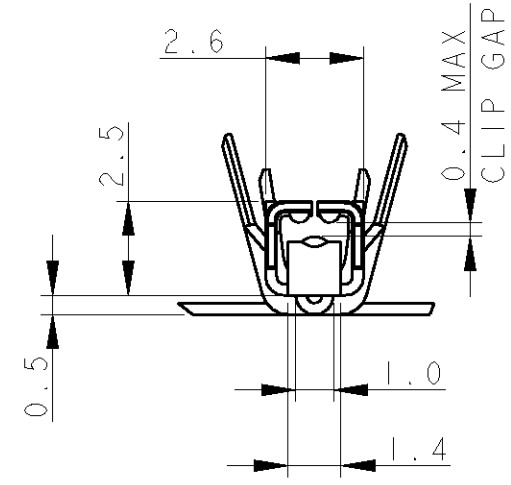
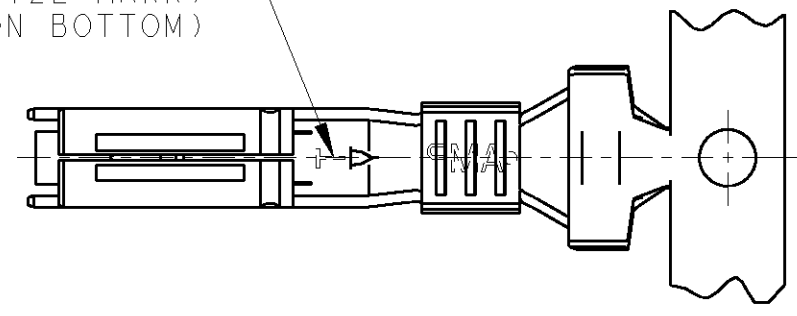


SECTION Y - Y



SECTION Z - Z

WIRE RANGE ID MARK  
("T" SIZE MARK)  
(STAMPED ON BOTTOM)



NOTES:

1. WIRE DETAILS: 2mm, 2.4-2.7 INSULATION DIA.
2. SIMILAR TO PART NUMBER 175190

LOC	B	EB00-0283-02	02/08/02	MJG	BB		
	A	EB00-0191-02	1-7-02	-	-	APPL FEED	TRIMMING BURR
	O	RELEASE FRO PRODUCTION, ECN C6261	27-8-92	-	-	WDW	IDW
DIST	I	-	16-10-91	MM	-	REELING	107-
E	P	LTR	REVISION RECORD	DATE	DWN	APVD	SPLICE
							115-1018

PRE-TIN	BRASS		345261-1	
FINISH	MATERIAL		PART NO	
WIRE RANGE	DIMENSIONS: mm DIMENSIONS APPLY BEFORE PLATING TOLERANCES UNLESS OTHERWISE SPECIFIED:		Tyco Electronics UK Ltd, Barton Tors, Bideford, Devon, EX39 4HE.	
2			NAME	
INSUL RANGE	2 PLC ± 0.5 3 PLC ± 0.5 ANGLES ± 1		-	
2.4-2.7	CHK 02AUG2002 M. GREENER		.070 SERIES RECEPTACLE CONTACT	
SURF AREA	DWN 31JUL2002 D. ROUSE		SCALE	REV
-	APVD 02AUG2002 B. BAKER		5:1	B
	SIZE	DRAWING NO	SHEET OF	
	A3	C345261		

单击下面可查看定价，库存，交付和生命周期等信息

[>>TE Connectivity\(泰科\)](#)