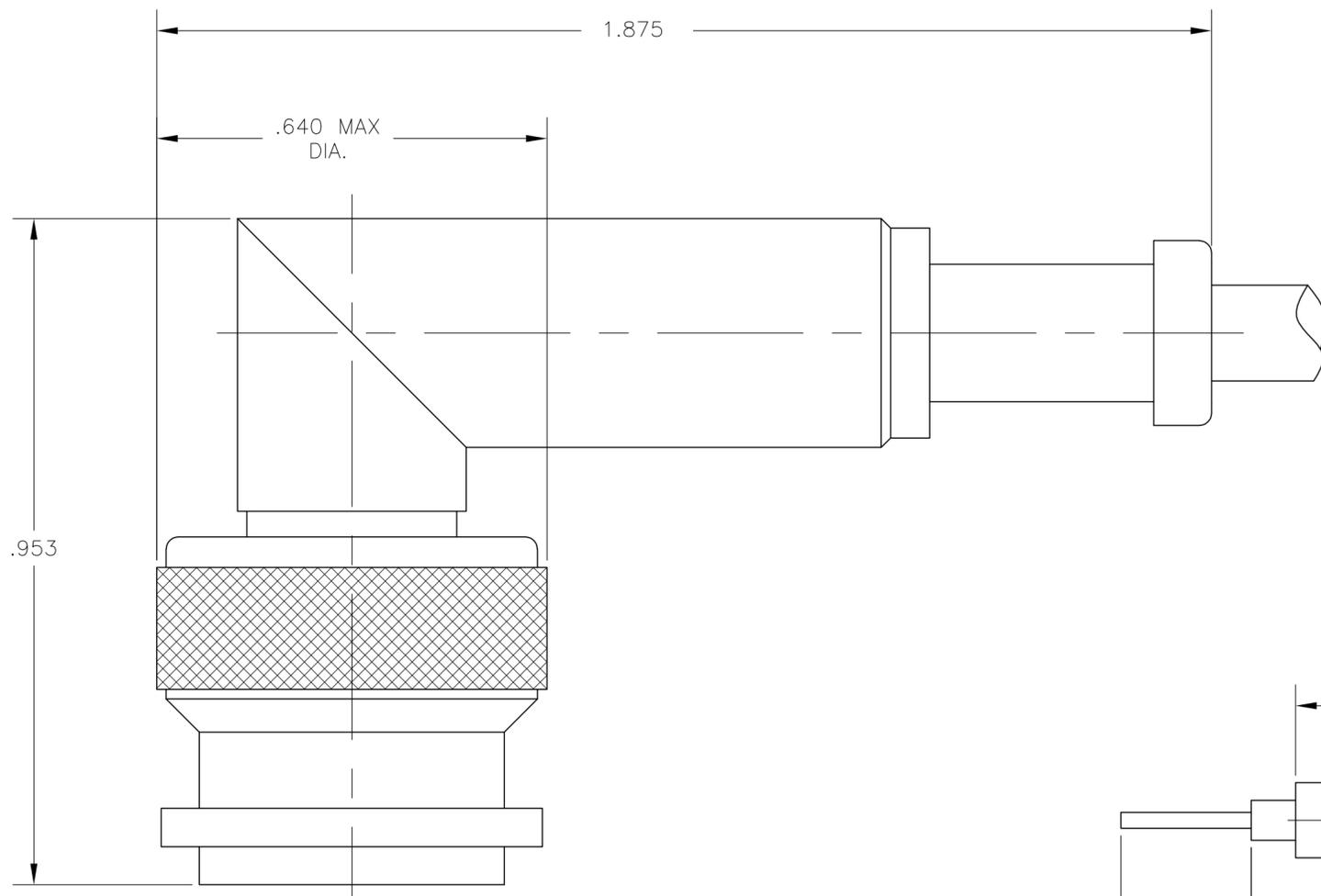
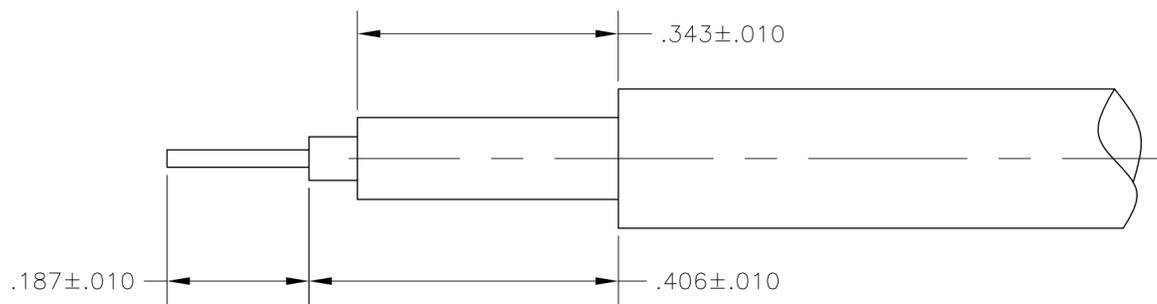


THIS DRAWING IS UNPUBLISHED. RELEASED FOR PUBLICATION
 © COPYRIGHT - By - ALL RIGHTS RESERVED.

LOC	DIST	REVISIONS			
P	LTR	DESCRIPTION	DATE	DWN	APVD
HC	00	A1	REVISED PER ECO-11-005030	11MAR11	RK HMR



ASSEMBLED VIEW



RECOMMENDED STRIP LENGTH

1. I.S.: 2299-5.
2. FOR USE WITH CABLE SIZE: RG-58A/U & 58C/U.
3. HAND TOOL NO.: 220045-2.

1	225592-1	SEAL	4
1	9-225560-1	FERRULE	3
1	225471-1	CONTACT	2
1	5-225518-0	PLUG ASSEMBLY	1
-2 QTY.	PART NUMBER	DESCRIPTION	ITEM #

THIS DRAWING IS A CONTROLLED DOCUMENT.		DWN J. POLIGNONE 12-14-04	TE Connectivity																						
DIMENSIONS: INCHES		CHK J. LIPPERT 12-14-04	NAME CONNECTOR, COAX, R.F. SERIES TNC DUAL CRIMP, RIGHT ANGLE PLUG, WEATHER PROOF																						
TOLERANCES UNLESS OTHERWISE SPECIFIED:		APVD J. LIPPERT 12-14-04																							
<table border="1"> <tr><td>0 PLC</td><td>±</td><td>-</td></tr> <tr><td>1 PLC</td><td>±</td><td>-</td></tr> <tr><td>2 PLC</td><td>±</td><td>-</td></tr> <tr><td>3 PLC</td><td>±</td><td>-</td></tr> <tr><td>4 PLC</td><td>±</td><td>-</td></tr> <tr><td>ANGLES</td><td>±</td><td>-</td></tr> <tr><td>FINISH</td><td>-</td><td>-</td></tr> </table>		0 PLC	±	-	1 PLC	±	-	2 PLC	±	-	3 PLC	±	-	4 PLC	±	-	ANGLES	±	-	FINISH	-	-	PRODUCT SPEC -	SIZE A2	CAGE CODE 00779
0 PLC	±	-																							
1 PLC	±	-																							
2 PLC	±	-																							
3 PLC	±	-																							
4 PLC	±	-																							
ANGLES	±	-																							
FINISH	-	-																							
MATERIAL		WEIGHT -	DRAWING NO. C-225559-2	RESTRICTED TO -																					
CUSTOMER DRAWING			SCALE 6:1	SHEET 1 of 1																					
			REV A1																						

225559-2

单击下面可查看定价，库存，交付和生命周期等信息

[>>TE Connectivity\(泰科\)](#)