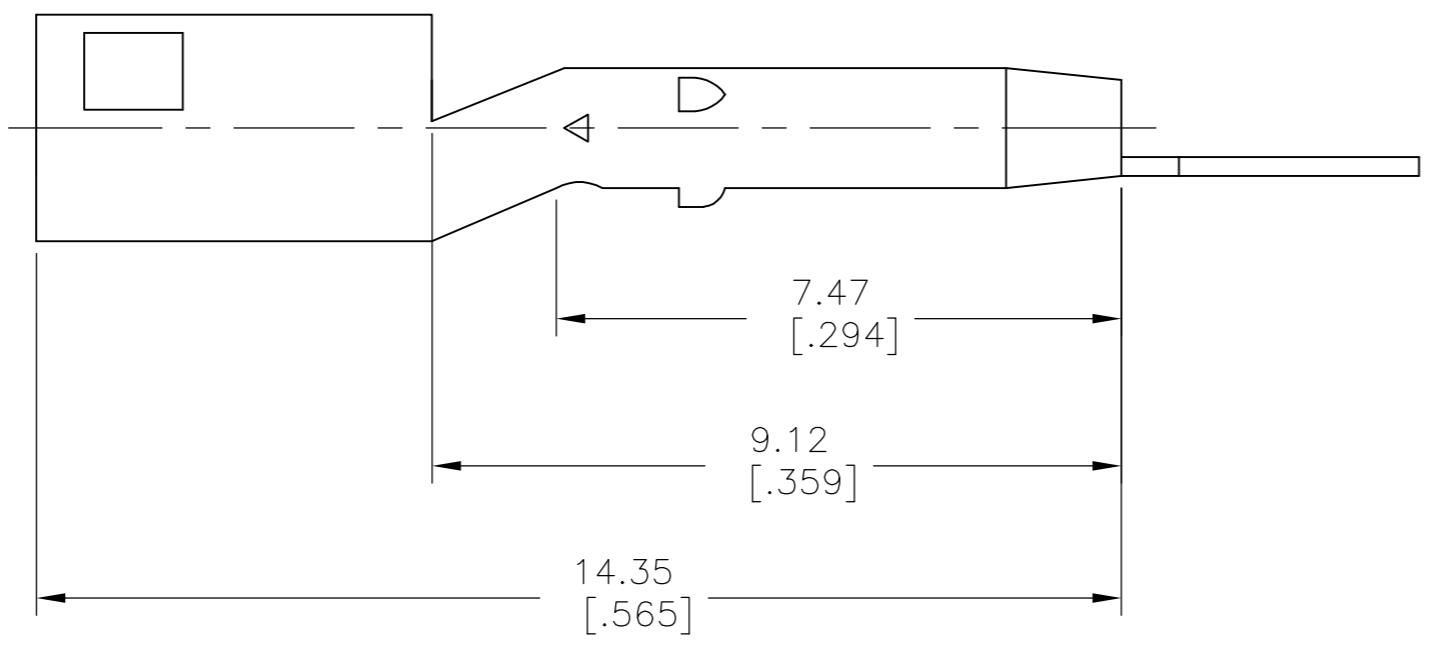
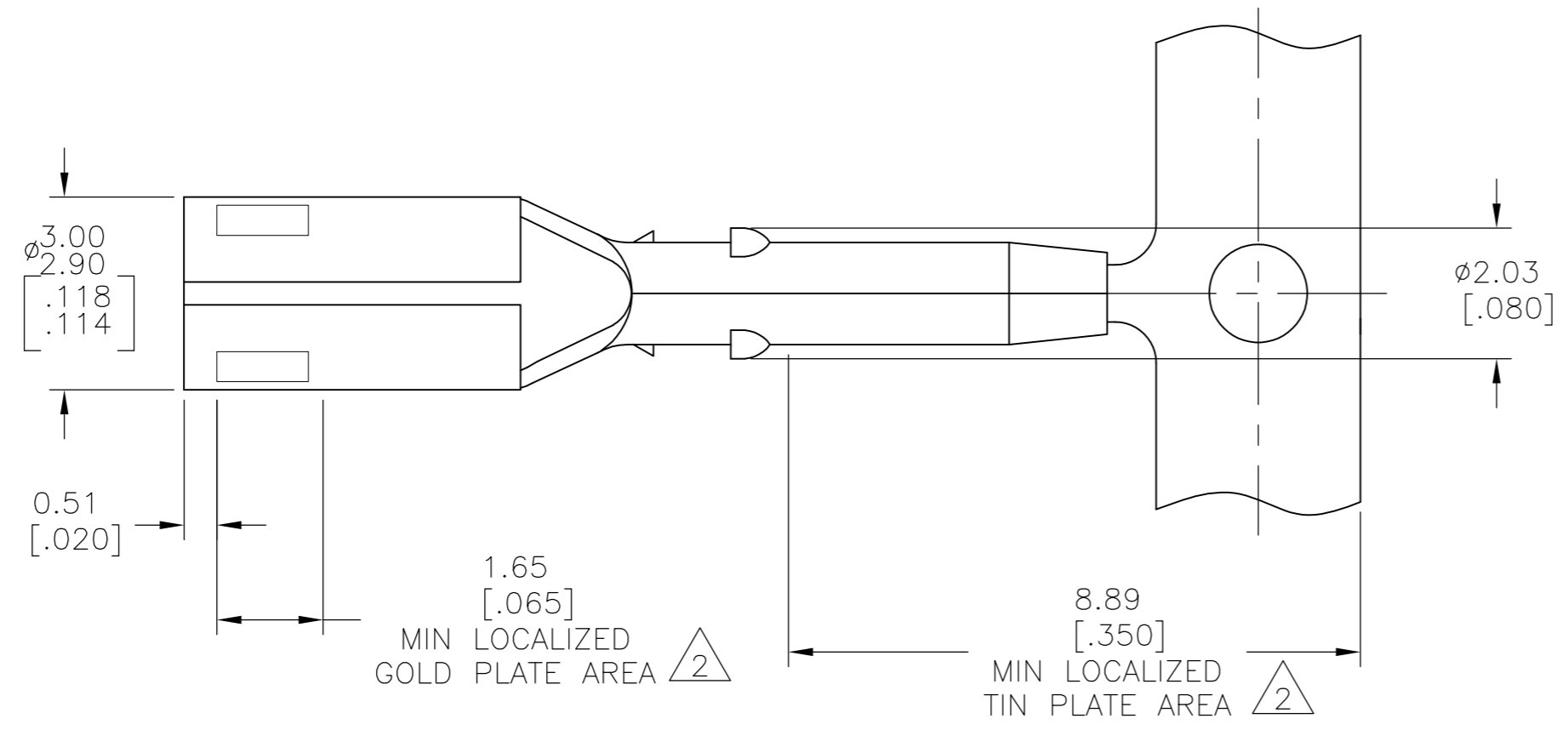


THIS DRAWING IS UNPUBLISHED. RELEASED FOR PUBLICATION
 © COPYRIGHT BY TYCO ELECTRONICS CORPORATION. ALL INTERNATIONAL RIGHTS RESERVED.

LOC		DIST		REVISIONS			
P	LTR	DESCRIPTION	DATE	DWN	APVD		
	D	REVISED PER ECO-09-009144	16APR09	HMR	MS		

- 1 DIMENSIONS IN BRACKETS ARE IN INCHES.
- 2 PLATE OVERALL WITH NICKEL, THEN PLATE WITH GOLD IN THE LOCALIZED GOLD PLATE AREA AND TIP PLATE WITH MATTE TIN-LEAD IN THE LOCALIZED TIN PLATE AREA.
- 3 PACKAGED ON 24 INCH CORRUGATED REEL.



FINISH	MATERIAL	PART NUMBER
PRE-TIN	0.25[.010] PH BRZ	3 794050-4
OBSOLETE	2 0.25[.010] PH BRZ	794050-3

THIS DRAWING IS A CONTROLLED DOCUMENT.		DWN RAGHAVENDRA 16APR09	Tyco Electronics Corporation Harrisburg, PA 17105-3608	
DIMENSIONS: mm [INCHES]		CHK SARVER MICHAEL 16APR09	NAME SOCKET, PRINTED CIRCUIT HEADER, MATE-N-LOK™	
TOLERANCES UNLESS OTHERWISE SPECIFIED:		APVD SARVER MICHAEL 16APR09	PRODUCT SPEC	SIZE A2
0 PLC ± -		APPLICATION SPEC	WEIGHT -	CAGE CODE 00779
1 PLC ± -		FINISH	SCALE 10:1	DRAWING NO C=794050
2 PLC ± 0.13[.005]		SEE TABLE	SHEET 1 of 1	REV D
3 PLC ± -				
4 PLC ± -				
ANGLES ± -				
MATERIAL SEE TABLE		CUSTOMER DRAWING		

单击下面可查看定价，库存，交付和生命周期等信息

[>>TE Connectivity\(泰科\)](#)