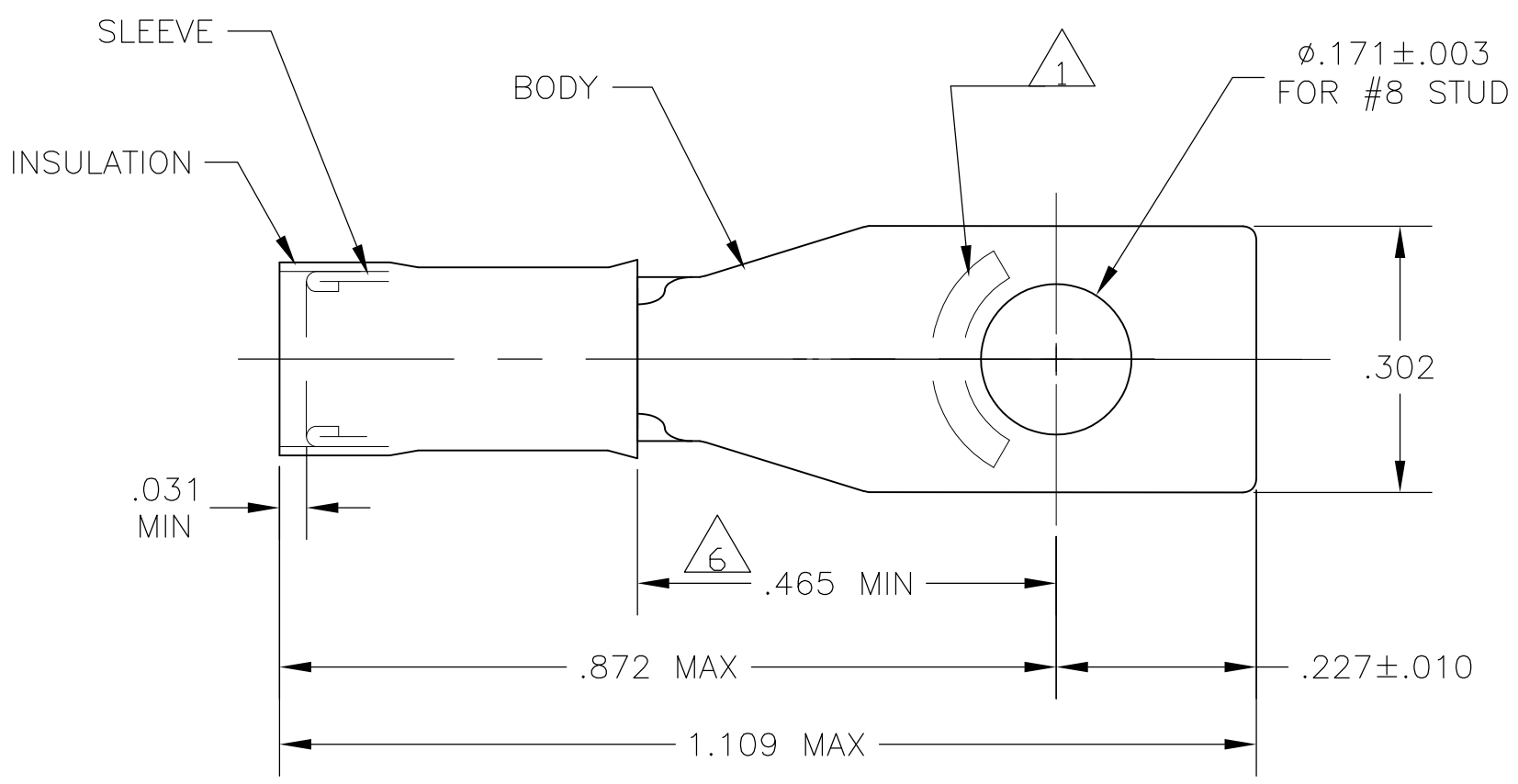


THIS DRAWING IS UNPUBLISHED. RELEASED FOR PUBLICATION
 © COPYRIGHT - BY TYCO ELECTRONICS CORPORATION. ALL RIGHTS RESERVED.

| LOC | DIST | REVISIONS | | | | | |
|-----|------|-----------|-----|-----------------------|---------|-----|------|
| | | P | LTR | DESCRIPTION | DATE | DWN | APVD |
| G | 14 | | R1 | REV PER ECR 10-000692 | 13JAN10 | JR | TM |

| | | |
|--------------------------------|--------------------------------|--------------------------------|
| AMP WIRE RANGE | E13288 Listed | LR7189 Certified |
| 16-14 AWG SOLID OR STRANDED | 16-14 AWG SOLID OR STRANDED | 16-14 AWG SOLID OR STRANDED |



- 1 STAMP AMP 16-14* APPROX AS SHOWN
- 2 WIRE INSULATION DIA: SEE TABLE
- 3 TONGUE MATERIAL THK: .031±.002
- 4 BODY & SLEEVE: CU PER ASTM B152
INSULATION: NYLON PER ASTM D4066
- 5 BODY & SLEEVE: TIN PLATE .000100 MIN
EXT THK PER ASTM B545
INSULATION: COLOR - BLUE
- 6 APPLIES FROM EDGE OF METAL WIRE BARREL
TO CENTER OF STUD HOLE.
- 7 MEETS MS17143-8, CLASS 1 & 2
- 8 SUPERSEDED BY 2-327946-4
- 9 PRELIMINARY - NOT FOR PRODUCTION

| | | |
|------------|------------------|----------------|
| 2-327946-4 | 2-327946-5 | .105-.150 |
| 327946 | | .115-.170 |
| PART NO | PART NO. ON TAPE | INSULATION DIA |

| | | | |
|--|------|-------------------------|------------|
| | 500 | 327946-4 ON TAPE & REEL | 2-327946-5 |
| | 2500 | LOOSE PIECE | 2-327946-4 |
| | --- | LOOSE PIECE | 327946 |
| | QTY | PACKAGE TYPE | PART NO |

| | | | | | | | | | | |
|--|--|---|--|--|----------------------------------|---|-------|-----------|------------|---------------|
| CUSTOMER SERVICE SYSTEMS | | MAX RECOMMENDED OPERATING TEMPERATURE: 170°C MAX | THIS DRAWING IS A CONTROLLED DOCUMENT. | | DWN JR RUTH 13JAN10 | Tyco Electronics Corporation Harrisburg, Pa 17105-3608 | | | | |
| FOR ADDITIONAL PRODUCT INFORMATION OR COPIES OF DRAWINGS AND TECHNICAL DOCUMENTS | PRODUCT INFORMATION CENTER 1-800-522-6752 | VOLTAGE RATING: 300 V MAX | DIMENSIONS: INCHES | TOLERANCES UNLESS OTHERWISE SPECIFIED: | CHK T MICHIELUTTI 13JAN10 | NAME TERMINAL, RECTANGULAR TONGUE, PIDG WIRE SIZE: 16-14 AWG | | | | |
| FOR APPLICATION TOOLING INFORMATION | TOOLING ASSISTANCE CENTER 1-800-722-1111 | CIRCULAR MIL AREA: 1.04-2.62mm ² [2,050-5,180] STRANDED OR SOLID | | 0 PLC ± - 1 PLC ± - 2 PLC ± - 3 PLC ± .008 4 PLC ± - ANGLES ± - | APVD T MICHIELUTTI 13JAN10 | PRODUCT SPEC | SIZE | CAGE CODE | DRAWING NO | RESTRICTED TO |
| FOR ORDER ENTRY | 1-800-526-5142 | THIS DRAWING IS A CONTROLLED DOCUMENT FOR AMP INCORPORATED. IT IS SUBJECT TO CHANGE AND THE CONTROLLING ENGINEERING ORGANIZATION SHOULD BE CONTACTED FOR THE LATEST REVISION. | MATERIAL | FINISH | --- | APPLICATION SPEC | --- | --- | A300779 | C-327946 |
| CUSTOMER DRAWING | | | | | SCALE | 5:1 | SHEET | 1 OF 1 | REV | R1 |

单击下面可查看定价，库存，交付和生命周期等信息

[>>TE Connectivity\(泰科\)](#)