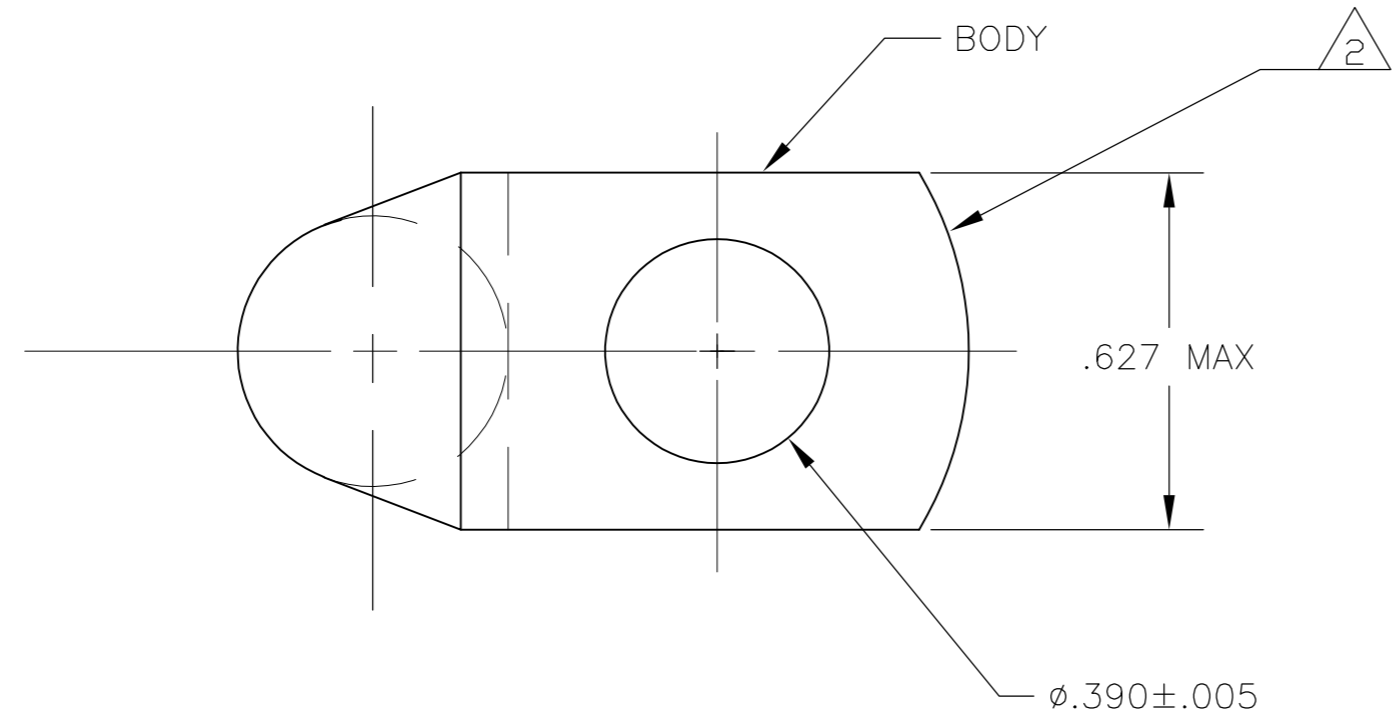
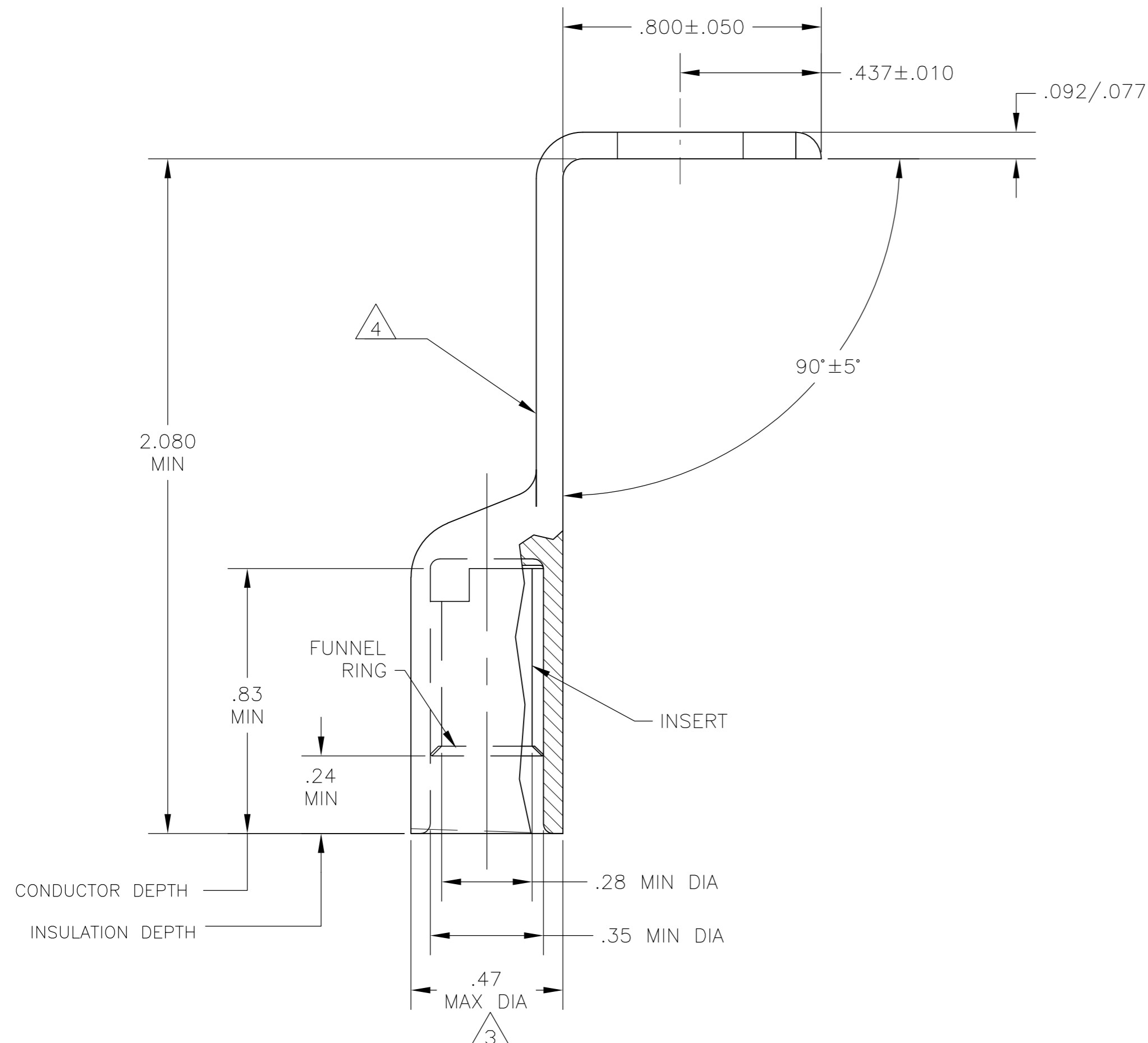


THIS DRAWING IS UNPUBLISHED. RELEASED FOR PUBLICATION
 © COPYRIGHT - By - ALL RIGHTS RESERVED.

LOC	DIST	REVISIONS					
		P	LTR	DESCRIPTION	DATE	DWN	APVD
G	81	C		REV PER ECO-12-008337	20JUN12	PY	BW



- 1 WIRE INSULATION: .276-.305 DIA
- 2 THE TONGUE RADIUS FEATURE IS NOT A TOOLING CONTROLLED DIMENSION AND MAY NOT BE A TRUE RADIUS.
- 3 FLASH PERMITTED ±.020
- 4 STAMP " 4 AMP 6"
" AL CU "
SIZE AND LOCATION APPROX AS SHOWN



BODY: COPPER ASTM-B187 ANNEALED TIN PL PER ASTM B545, .000150 MIN THK	1958119-1
INSERT & FUNNEL: BRASS MIL-C-50 NICKEL PL QQ-N-290	
MATERIAL & FINISH	PART NO.

THIS DRAWING IS A CONTROLLED DOCUMENT.		DWN	JR RUTH	23MAR07		TE Connectivity		
DIMENSIONS: INCHES		CHK	MJ SPICER	23MAR07		NAME		
TOLERANCES UNLESS OTHERWISE SPECIFIED:		APVD	MJ SPICER	23MAR07		RING TONGUE, BENT, SEALED COPALUM, WIRE SIZE: 4 AL - 6CU		
0 PLC ± - 1 PLC ± - 2 PLC ± - 3 PLC ± .008 4 PLC ± - ANGLES ± - FINISH -		PRODUCT SPEC	-			RESTRICTED TO	-	
MATERIAL	-	WEIGHT	-	SIZE	A2	CAGE CODE	00779	
CUSTOMER DRAWING		SCALE	3:1	DRAWING NO	C=1958119		REV	C
		SHEET	1 of 1					

1958119

单击下面可查看定价，库存，交付和生命周期等信息

[>>TE Connectivity\(泰科\)](#)