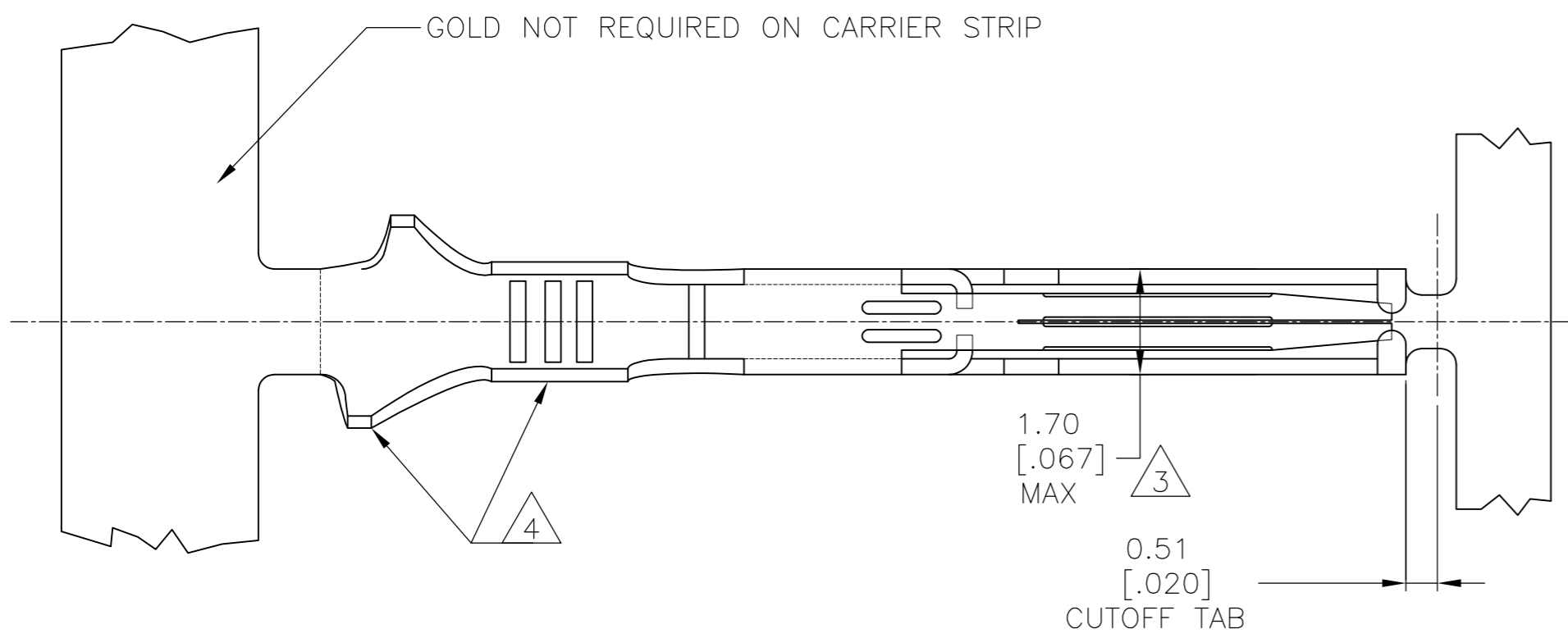
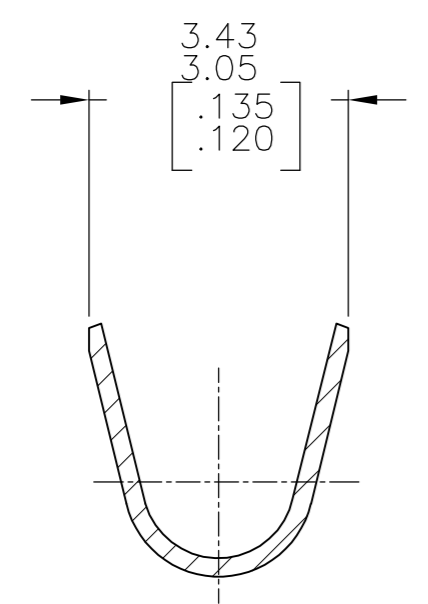
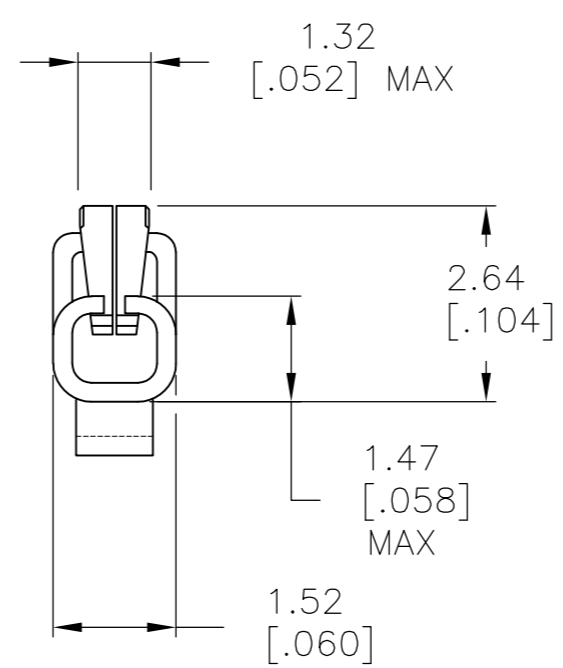
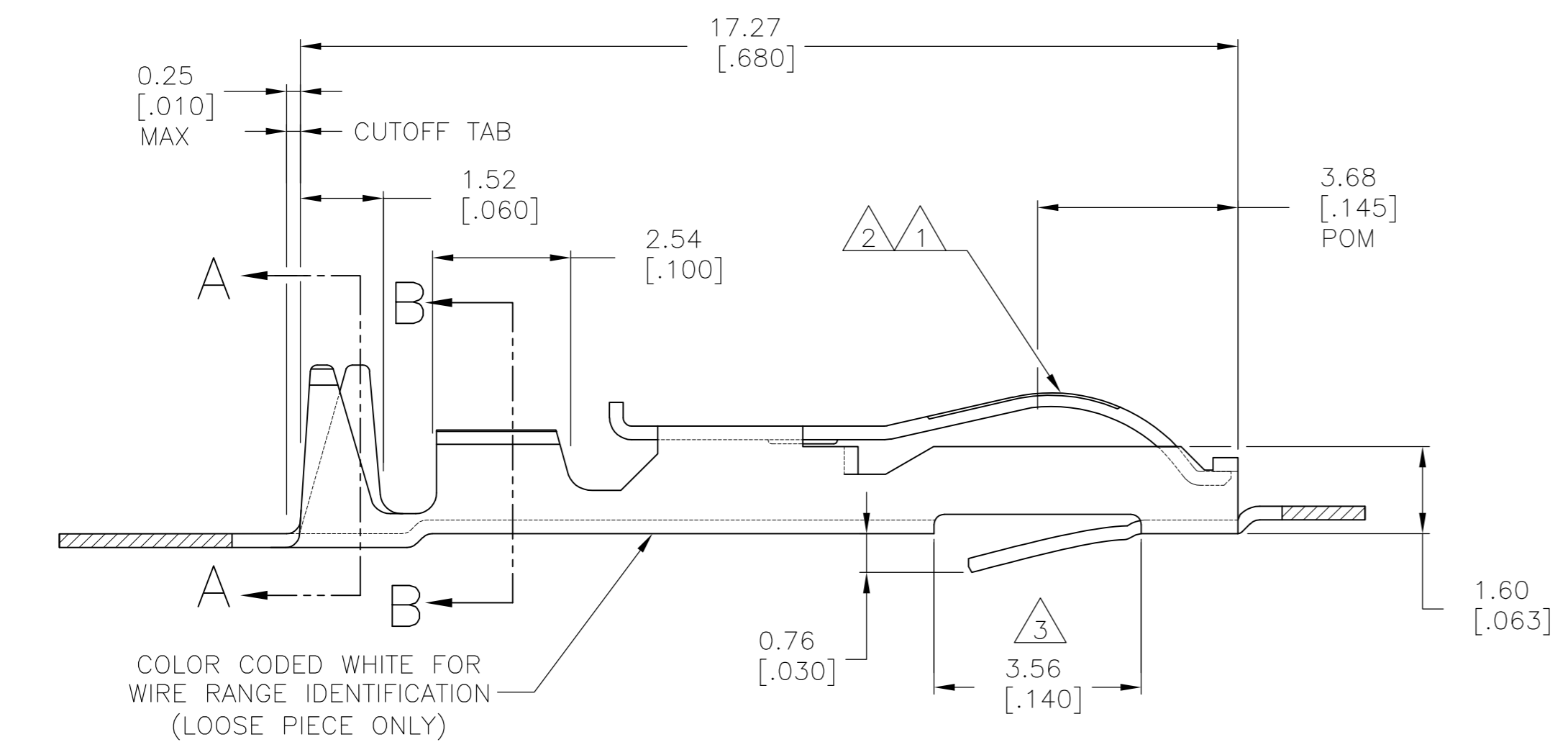


THIS DRAWING IS UNPUBLISHED. RELEASED FOR PUBLICATION
 © COPYRIGHT BY TYCO ELECTRONICS CORPORATION. ALL RIGHTS RESERVED.

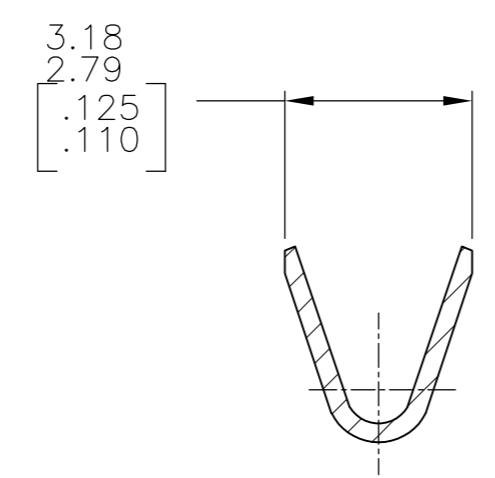
LOC		DIST		REVISIONS			
P	LTR	DESCRIPTION		DATE	DWN	APVD	
	N1	REVISED PER ECO-10-000443		15JAN10	KK	AEG	



- 1 .000050 GOLD OVER .000050 NICKEL IN CONTACT AREA. REMAINDER OF CONTACT GOLD FLASH OVER NICKEL.
- 2 .000030 GOLD OVER .000030 NICKEL IN CONTACT AREA. REMAINDER OF CONTACT GOLD FLASH OVER NICKEL.
- 3 .067 MAX ALLOWED IN LOCKING LATCH AREA FOR .140 REF LENGTH.
- 4 TIN-LEAD IN CRIMP AREA.
- 5 OBSOLETE
- 6 CRIMP TWIN LEAF CONTACTS WITH 20-16 AWG WIRE RANGE TO BE USED ONLY WITH .125CL & 156 CL CRIMP TWIN LEAF HOUSINGS.
- 7 TIN IN CRIMP AREA.



SECTION A-A
INSULATION RANGE
.073-.090 DIA



SECTION B-B
WIRE RANGE
#16-#20

5-583875-5	-	2 7	5-583875-6
583875-5	-	2 4	583875-6
583875-2	583875-4	1	583875-3
STRIP PART # REELING LEFT TO RIGHT	STRIP PART # REELING RIGHT TO LEFT	FINISH	LOOSE PIECE

THIS DRAWING IS A CONTROLLED DOCUMENT.		DWN A. STAUB BG 02AUG93	Tyco Electronics Corporation Harrisburg, PA 17105-3608	
DIMENSIONS: mm [INCHES]		CHK H ROSE 07MAR94	NAME CONTACT-TWIN LEAF (CRIMP-SNAP)	
TOLERANCES UNLESS OTHERWISE SPECIFIED:		APVD H ROSE 07MAR94	PRODUCT SPEC	
0 PLC ± -		APPLICATION SPEC		
1 PLC ± -		WEIGHT -		
2 PLC ± -		SIZE A2		
3 PLC ± .005		CAGE CODE 00779		
4 PLC ± -		DRAWING NO C=583875		
ANGLES ± -		RESTRICTED TO -		
FINISH SEE TABLE		SCALE 10:1		
MATERIAL PHOS BRONZE		SHEET 1 OF 1		
CUSTOMER DRAWING		REV N1		

单击下面可查看定价，库存，交付和生命周期等信息

[>>TE Connectivity\(泰科\)](#)