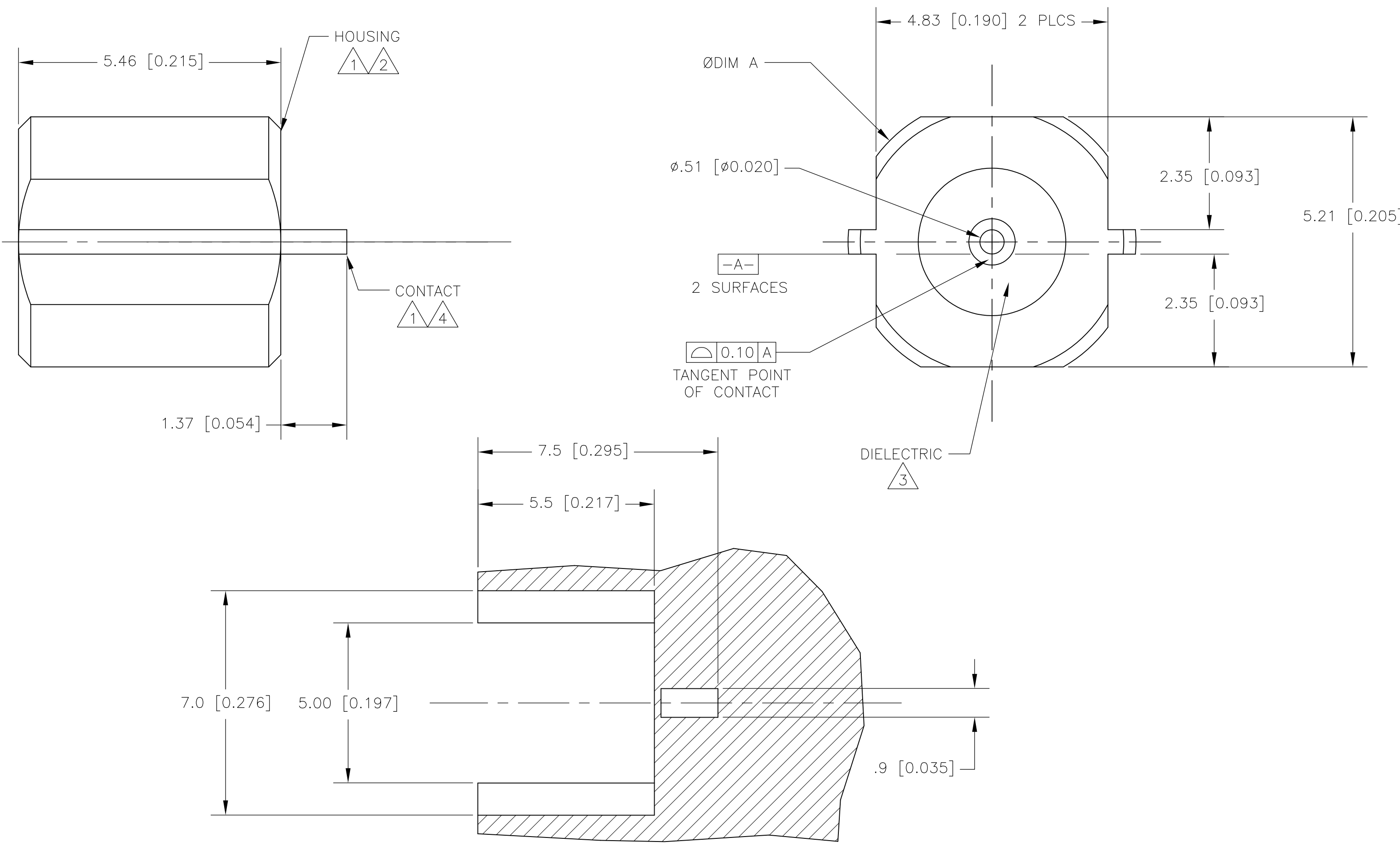


LOC	DIST	REVISIONS					
AJ	16	P	LTR	DESCRIPTION	DATE	OWN	APVD
		B3	ECR-12-005726		27MAR12	RK	MY



SUGGESTED SOLDER PAD CONFIGURATION ONLY (SCALE 10:1)

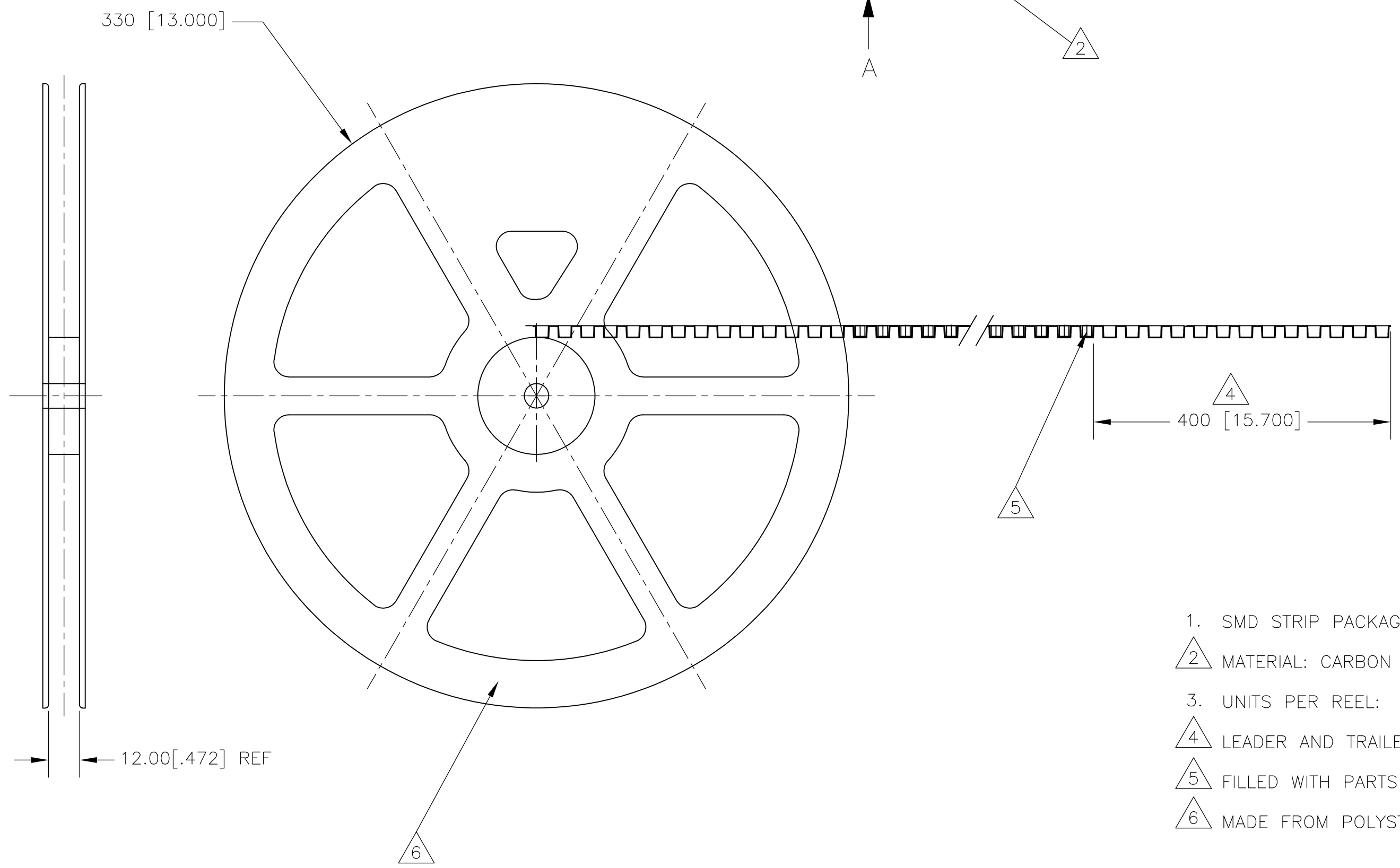
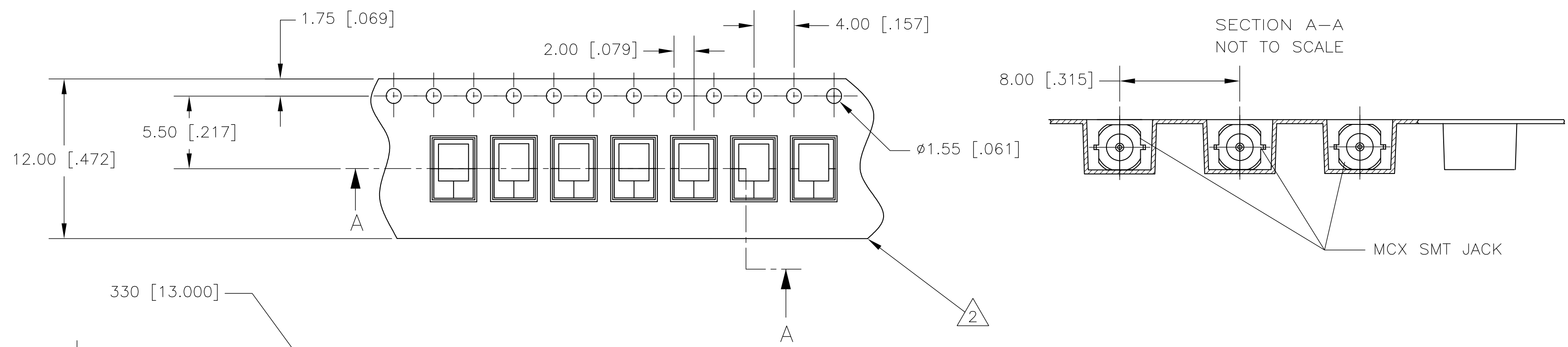
- 1 GOLD PLATE PER ASTM-B-488
- 2 BRASS PER ASTM-B-16
- 3 PTFE PER ASTM-D-1710
- 4 BERYLLIUM COPPER PER ASTM-B-197

Ø6.50 [.256]	1274670-2
Ø5.99 [.236]	1274670-1
DIM A	PART NUMBER

THIS DRAWING IS A CONTROLLED DOCUMENT.		DWN	K. WEIDNER	2/2/05	STE TE Connectivity
DIMENSIONS: mm [INCHES]		CHK	J. HAVENER	19APR05	
TOLERANCES UNLESS OTHERWISE SPECIFIED:		APVD	J. HAVENER	19APR05	NAME
0 PLC	± -	PRODUCT SPEC		MCX PCB JACK, SMT EDGE LAUNCH	
1 PLC	± -	APPLICATION SPEC		SIZE	A2
2 PLC	± 0.13 [.005]	MATERIAL		CAGE CODE	00779
3 PLC	± -	FINISH		DRAWING NO	1274670
4 PLC	± -	MATERIAL		RESTRICTED TO	-
ANGLES	± ± 2'	WEIGHT		SCALE	15:1
CUSTOMER DRAWING		SHEET		1 OF 2	
REV		B3			

THIS DRAWING IS UNPUBLISHED. RELEASED FOR PUBLICATION
 © COPYRIGHT - By - ALL RIGHTS RESERVED.

LOC	DIST	REVISIONS			
P	LTR	DESCRIPTION	DATE	OWN	APVD
AJ	16	- SEE SHEET 1	-	-	-



- 1. SMD STRIP PACKAGING DIMENSIONAL REQUIREMENTS PER EIA 481-1, -2 AND -3
- 2 MATERIAL: CARBON FILLED POLYCARBONATE, ELECTROSTATIC PROTECTIVE
- 3. UNITS PER REEL: APPROX 1,500
- 4 LEADER AND TRAILER FREE OF PARTS BUT SEALED WITH COVER TAPE
- 5 FILLED WITH PARTS BEGINNING HERE
- 6 MADE FROM POLYSTYRENE

THIS DRAWING IS A CONTROLLED DOCUMENT.		DWN K. WEIDNER 2/2/05	TE Connectivity	
DIMENSIONS: mm [INCHES]		CHK J. HAVENER 19APR05		
TOLERANCES UNLESS OTHERWISE SPECIFIED:		APVD J. HAVENER 19APR05	NAME MCX PCB JACK, SMT EDGE LAUNCH	
0 PLC ± - 1 PLC ± - 2 PLC ± 0.13[.005] 3 PLC ± - 4 PLC ± - ANGLES ± ± 2°		PRODUCT SPEC -	SIZE A2	
MATERIAL -		FINISH -	APPLICATION SPEC -	CAGE CODE 00779
		WEIGHT -	DRAWING NO G-1274670	RESTRICTED TO -
CUSTOMER DRAWING			SCALE NTS	SHEET 2 OF 2
			REV B3	

单击下面可查看定价，库存，交付和生命周期等信息

[>>TE Connectivity\(泰科\)](#)