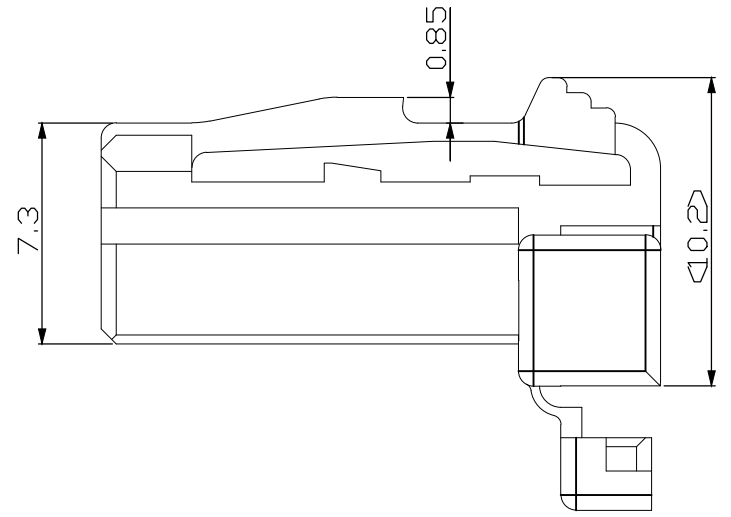
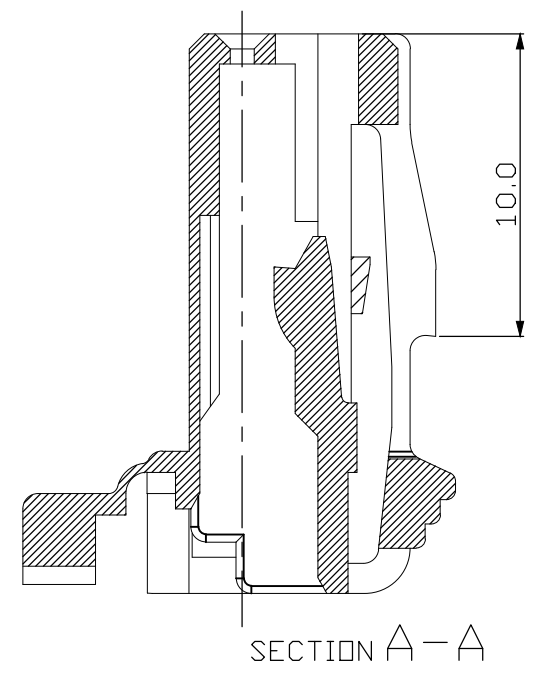
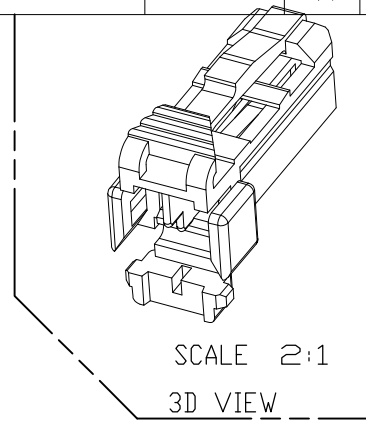
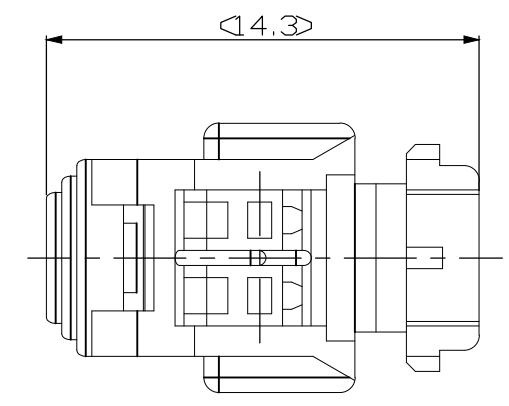
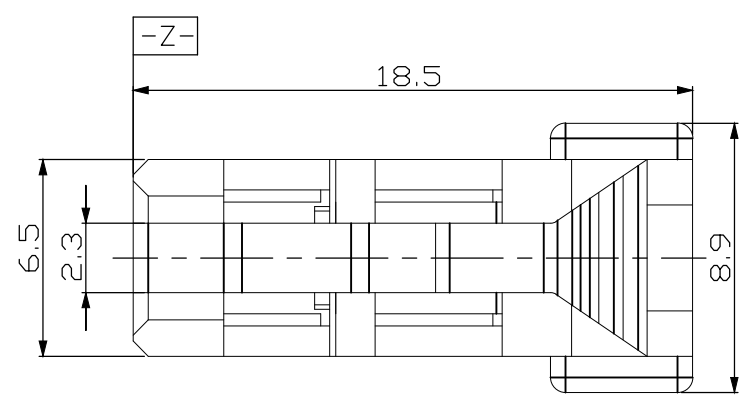
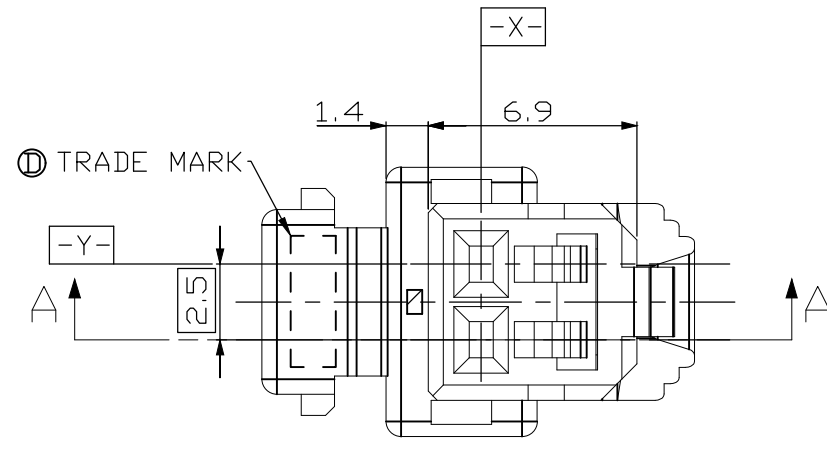


P	LTR	DESCRIPTION	DATE	DWN	APVD
D1		REVISED ECR-20-006478	08JUL2020	VI	SPB



NOTE

- 1 GENERAL TOLERANCES ± 0.3 , $\pm 3^\circ$
- 3 APPLIED REC. CONTACT P/N :

	PART NO.	WIRE SIZE (mm ²)
040 REC	173681-1	0.3 ~ 0.55

OBSOLETE

BLACK	PBT	1743466-2
WHITE	PBT	1743466-1
COLOR	MATERIAL	P/N

THIS DRAWING IS A CONTROLLED DOCUMENT.		DWN	JH CHO	TE Connectivity Ltd.					
DIMENSIONS: mm		CHK	KT LIM				NAME		
		APVD	HG CHO				040 MK-1 2P PLUG HSG FOR DOOR LOCK S/W		
TOLERANCES UNLESS OTHERWISE SPECIFIED:		PRODUCT SPEC							
MATERIAL		APPLICATION SPEC		SIZE	CAGE CODE	DRAWING NO	RESTRICTED TO		
SEE NOTE		FINISH		0	A300779	C-1743466			
CUSTOMER DRAWING				WEIGHT	SCALE	SHEET	REV		
				0	1:1	1 OF 1	D1		

单击下面可查看定价，库存，交付和生命周期等信息

[>>TE Connectivity\(泰科\)](#)