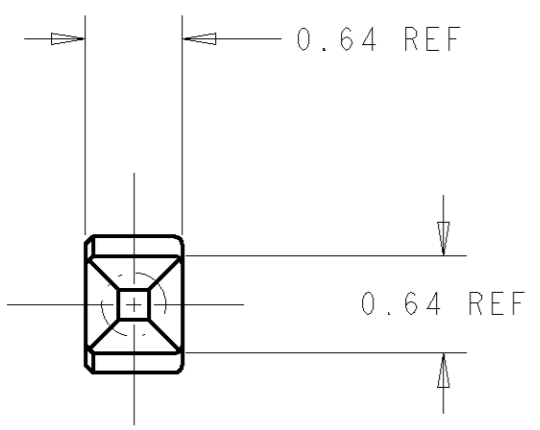
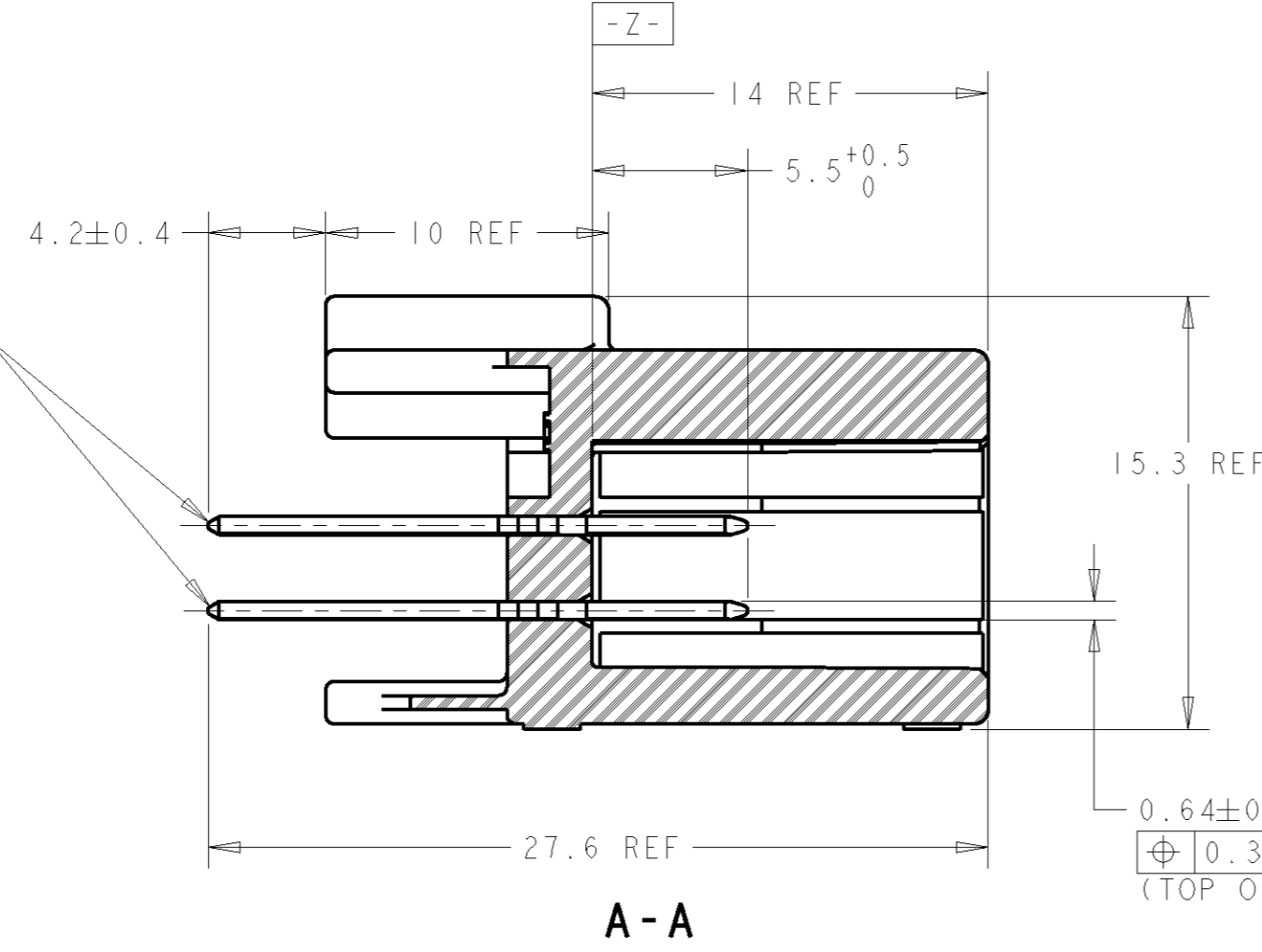
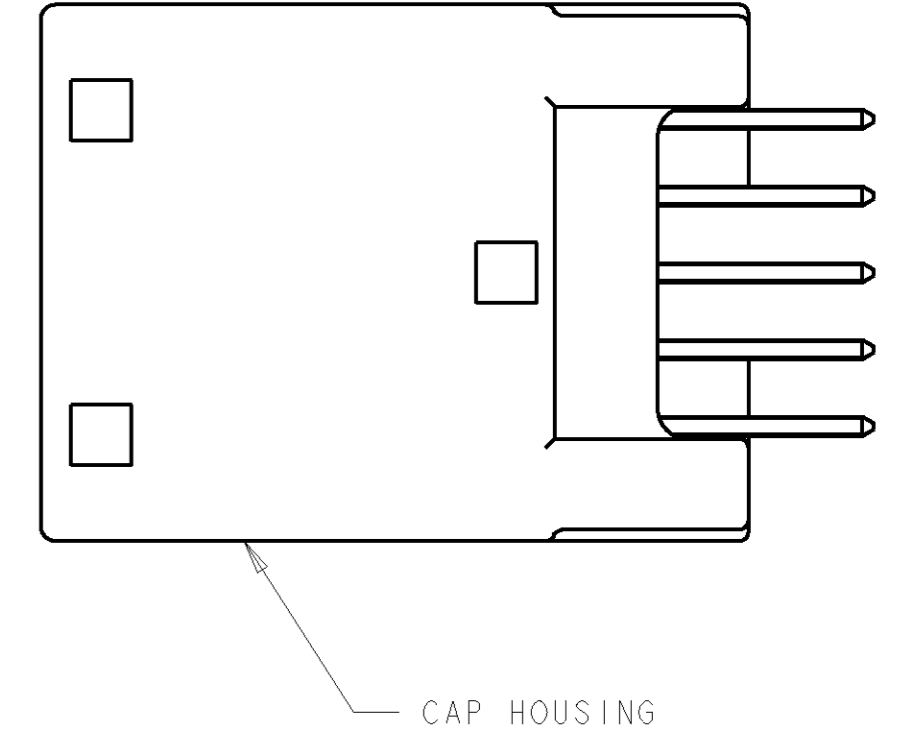
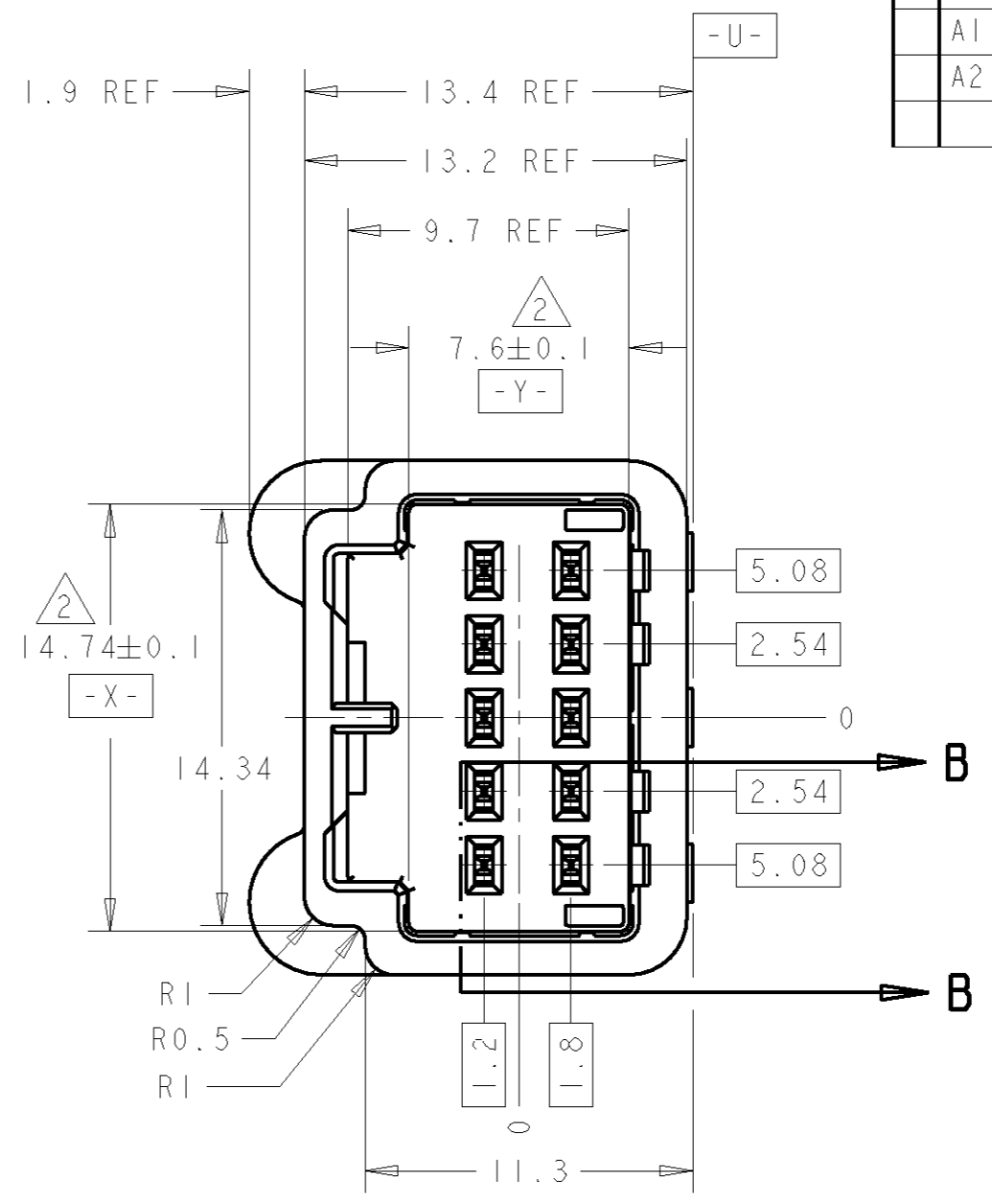
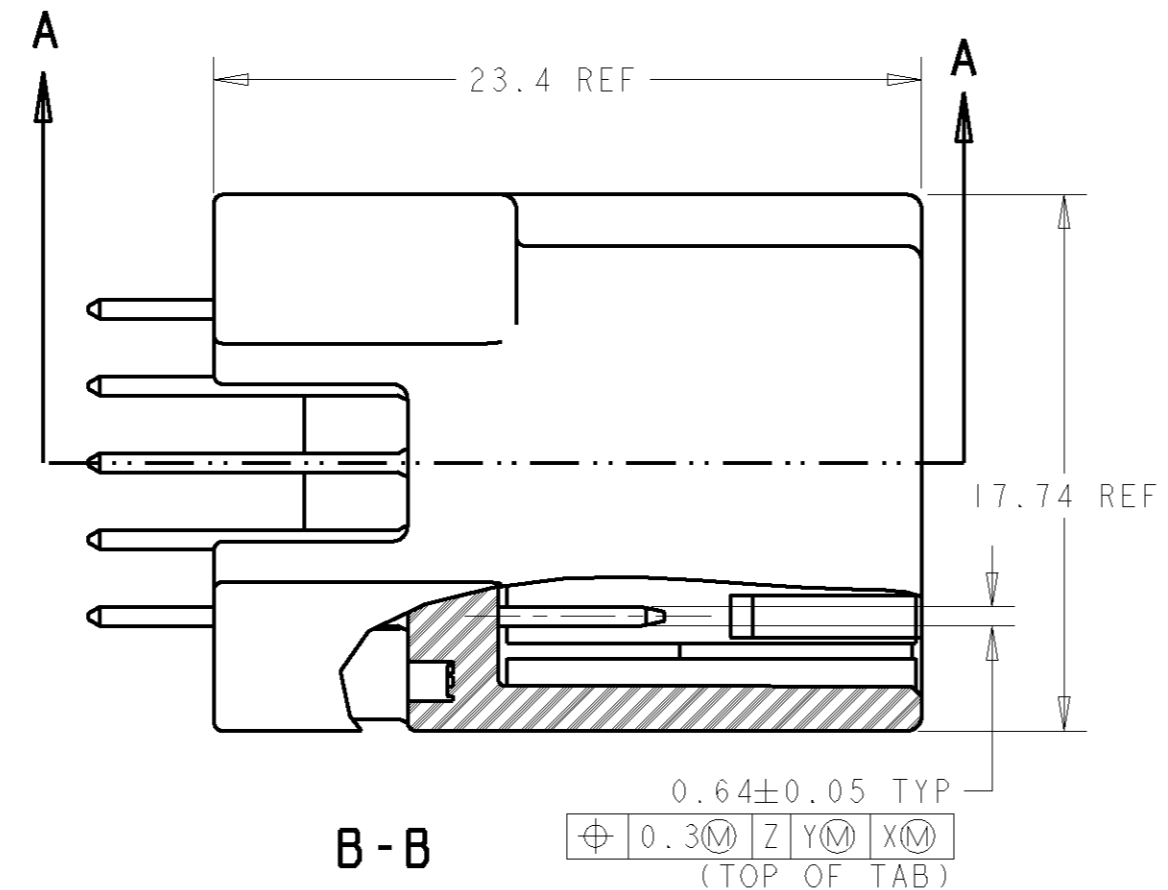
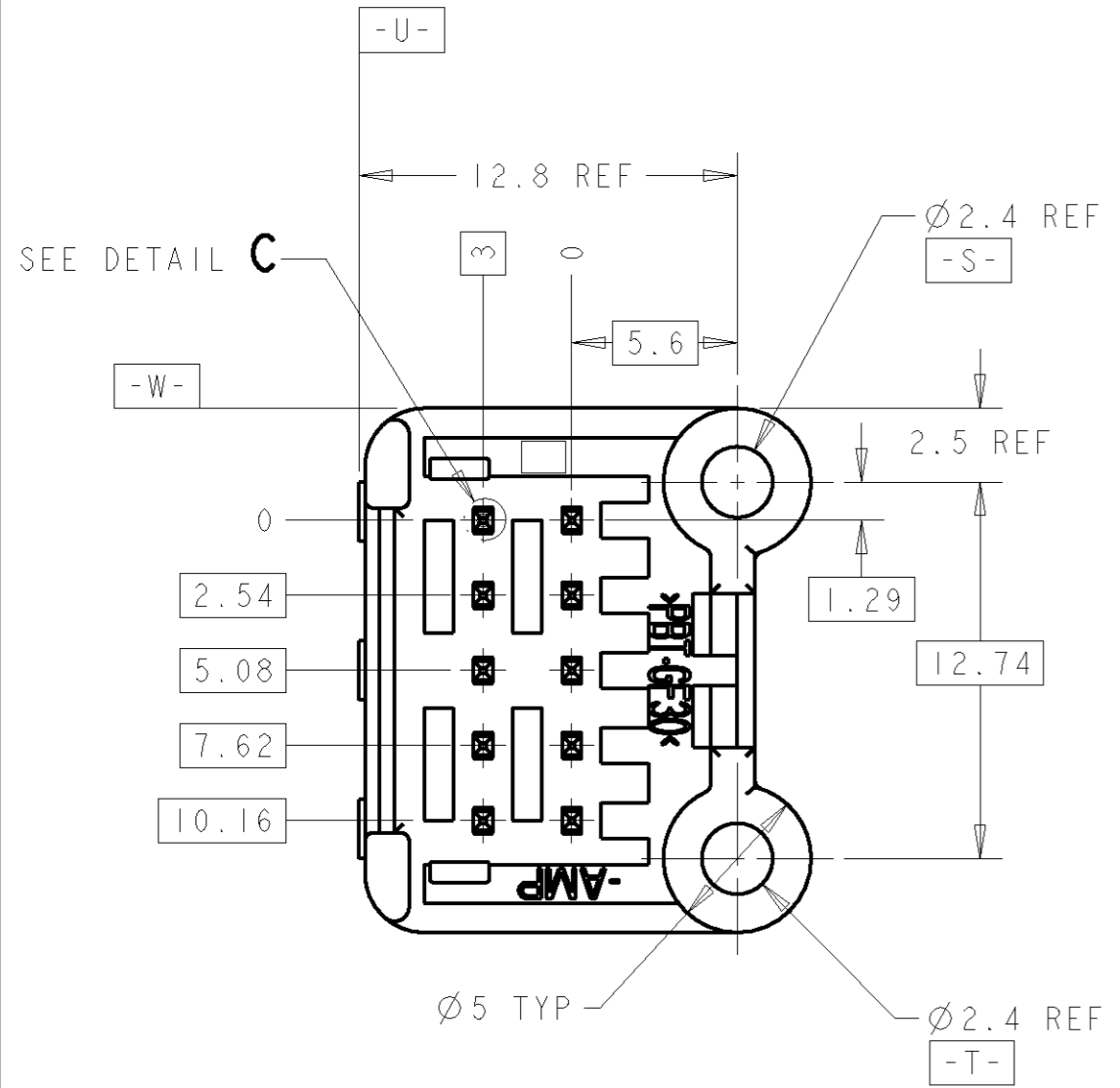


THIS DRAWING IS UNPUBLISHED. RELEASED FOR PUBLICATION 20
 © COPYRIGHT 20 BY TYCO ELECTRONICS CORPORATION. ALL RIGHTS RESERVED.

REVISIONS				
P	LTR	DESCRIPTION	DATE	APVD
A		RELEASED PER EC 0K80-0255-01	28SEP2001	RGV GEM
A1		REVISED PER ECR 07-000917	29MAR2007	DLD SSA
A2		REVISED PER ECR 07-010812	10MAY2007	DLD SSA



DETAIL C
SCALE 20:1

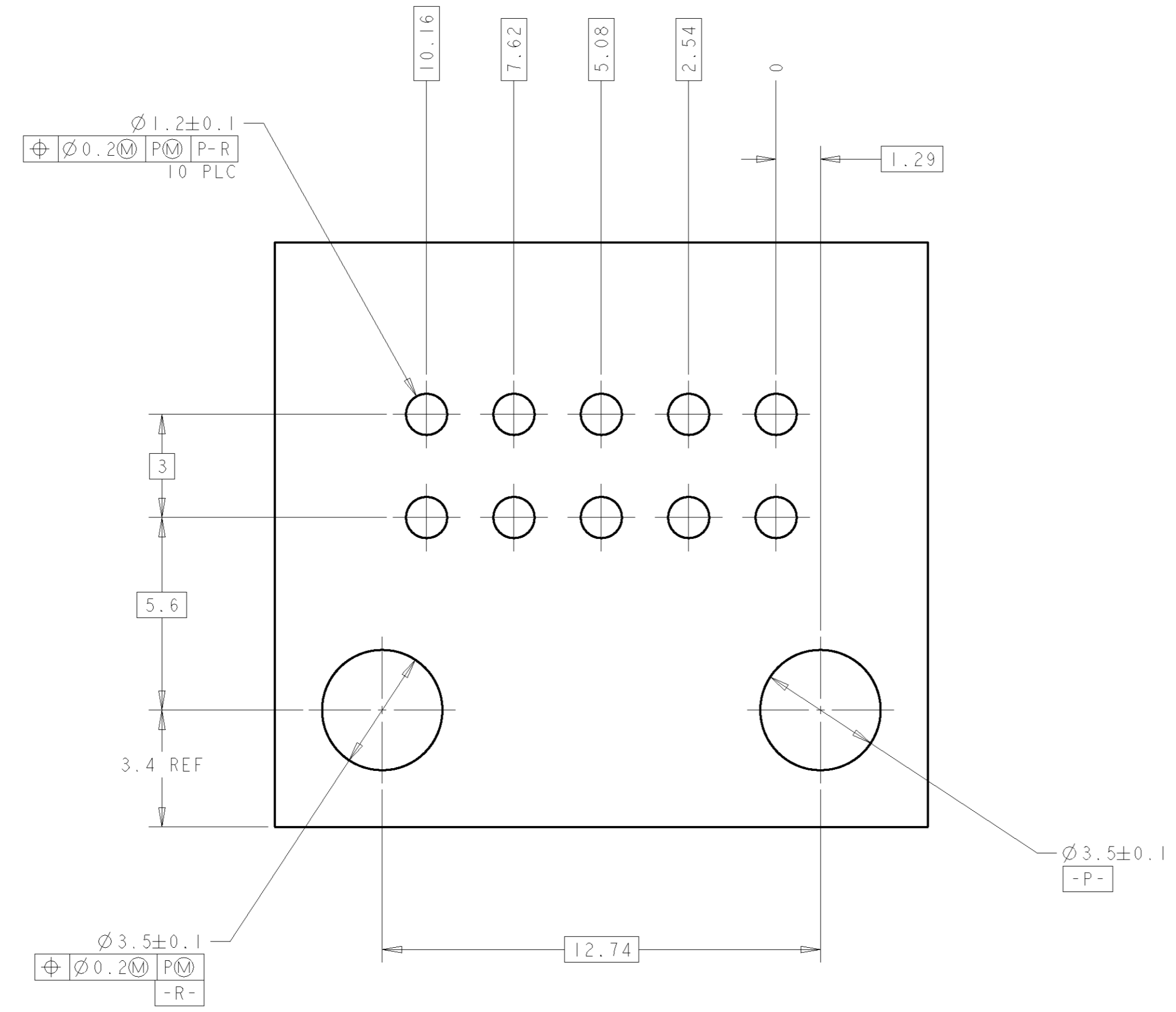
- TO BE MATED SMOOTHLY WITH THE PLUG HOUSING ASSEMBLY, P/N 936163-2.
- MEASURED AT 6mm FROM DATUM -Z-.
- AS FOR HANDLING OF PRODUCT, FOLLOW INSTRUCTION SHEET #411-5928.
- RECOMMENDED MOUNTING SCREW: PAN HEAD, TYPE #2 TAPPING SCREW OF 3mm NOMINAL DIAMETER, LENGTH - 6mm, FOR 1.6 BOARD THICKNESS. IN JIS B1115, B1122 (REF. TIGHTENING TORQUE: 0.4Nm MAX.).

MATERIAL	FINISH	MATERIAL	COLOR	PART NUMBER
BRASS	TIN	PCT	BLACK	936166-3
BRASS	TIN	PBT	BLACK	936166-2

THIS DRAWING IS A CONTROLLED DOCUMENT FOR TYCO ELECTRONICS CORPORATION IT IS SUBJECT TO CHANGE AND THE CONTROLLING ENGINEERING ORGANIZATION SHOULD BE CONTACTED FOR THE LATEST REVISION.		DWN R. VESTAL 17MAY2001 CHK G. MILLER 17MAY2001 APVD G. MILLER 17MAY2001	Tyco Electronics Tyco Electronics Harrisburg, PA 17105-3608
DIMENSIONS: mm 	TOLERANCES UNLESS OTHERWISE SPECIFIED: 0 PLC ±0.3 1 PLC ±0.3 2 PLC ±0.15 3 PLC ± 4 PLC ± ANGLES ±0° 30' FINISH SEE TABLE	PRODUCT SPEC - APPLICATION SPEC - WEIGHT -	NAME 025 SERIES I/O CONNECTOR 10 POSITION CAP HOUSING ASSEMBLY V-TYPE (2.54mm PITCH)
MATERIAL SEE TABLE	FINISH SEE TABLE	SCALE 4:1	RESTRICTED TO
CUSTOMER DRAWING		SHEET 1 OF 2	REV A2

THIS DRAWING IS UNPUBLISHED. RELEASED FOR PUBLICATION 20
 © COPYRIGHT 20 BY TYCO ELECTRONICS CORPORATION. ALL RIGHTS RESERVED.

LOC	DIST	REVISIONS			
P	LTR	DESCRIPTION	DATE	DWN	APVD
FX	00	SEE SHEET 1	-	-	-



P.C. BOARD LAYOUT
 (RECOMMENDED BOARD THICKNESS: 1.57mm)
 SCALE 8:1

<small>THIS DRAWING IS A CONTROLLED DOCUMENT FOR TYCO ELECTRONICS CORPORATION IT IS SUBJECT TO CHANGE AND THE CONTROLLING ENGINEERING ORGANIZATION SHOULD BE CONTACTED FOR THE LATEST REVISION.</small>		DWN R. VESTAL 17MAY2001 CHK G. MILLER 17MAY2001 APVD G. MILLER 17MAY2001	Tyco Electronics Tyco Electronics Harrisburg, PA 17105-3608
DIMENSIONS: mm 	TOLERANCES UNLESS OTHERWISE SPECIFIED: 0 PLC ±0.3 1 PLC ±0.3 2 PLC ±0.15 3 PLC ± 4 PLC ± ANGLES ±0°30' FINISH -	PRODUCT SPEC - APPLICATION SPEC - WEIGHT -	NAME 025 SERIES I/O CONNECTOR 10 POSITION CAP HOUSING ASSEMBLY V-TYPE (2.54mm PITCH) SIZE A2 CAGE CODE 00779 DRAWING NO. C-936166 RESTRICTED TO - SCALE 4:1 SHEET 2 OF 2 REV A2
MATERIAL -		CUSTOMER DRAWING	

936166

单击下面可查看定价，库存，交付和生命周期等信息

[>>TE Connectivity\(泰科\)](#)