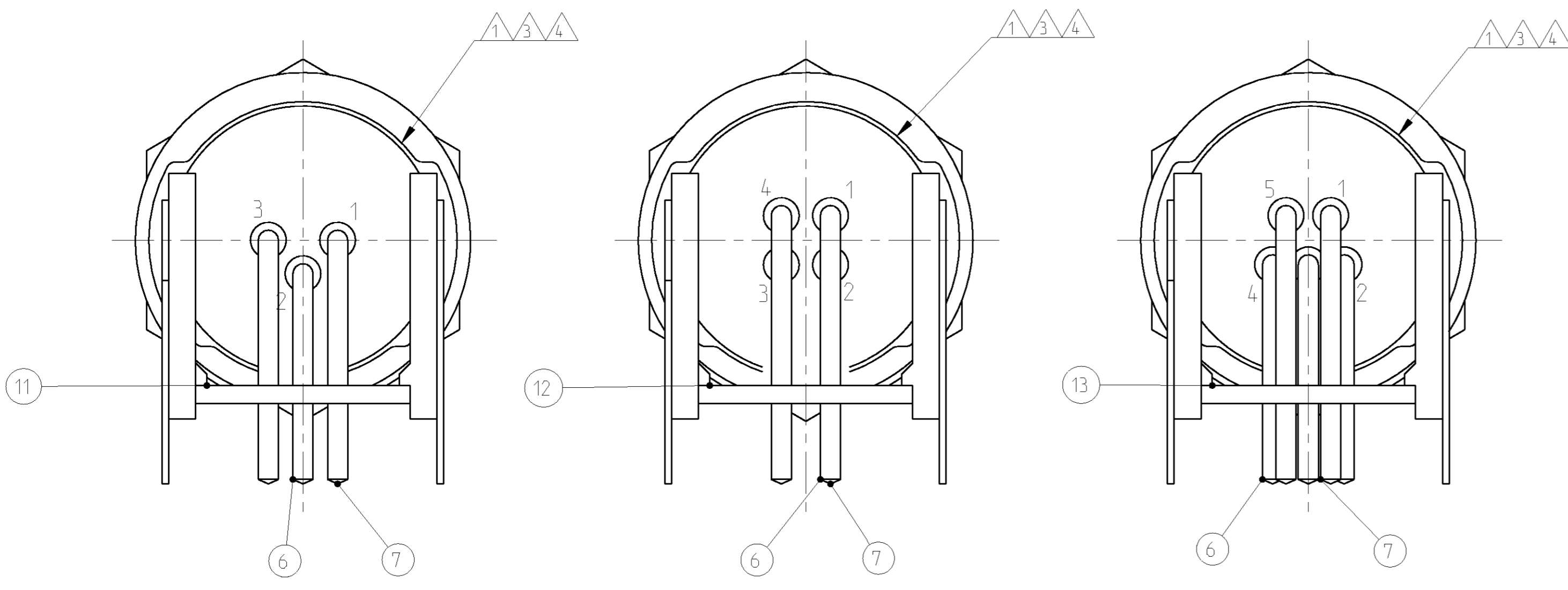


LOC	DIST	P	LTR	REVISIONS ÄNDERUNGEN DESCRIPTION BESCHREIBUNG	DATE	DWN	APVD
A1	-						
		A1		EG00-0576-01	18JUN2001	NG	GF
		A2		DRAWING ADJUSTED	06DEC2002	NG	GF

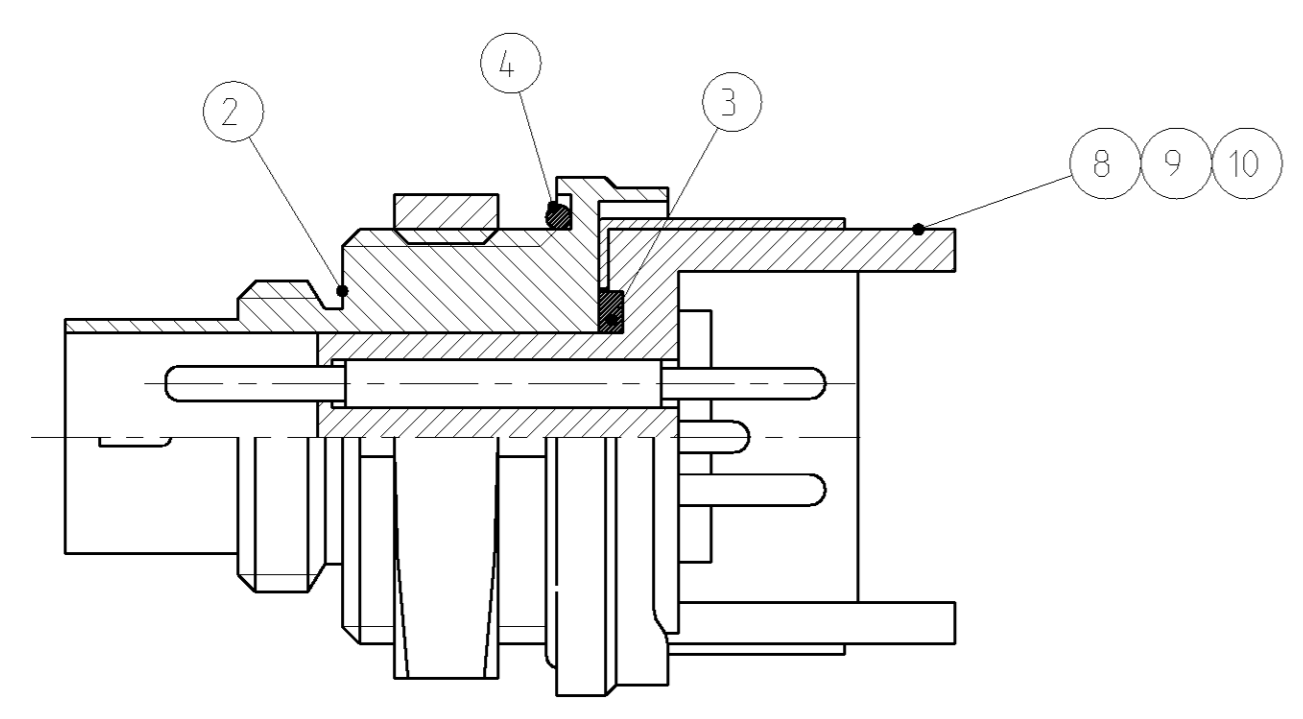
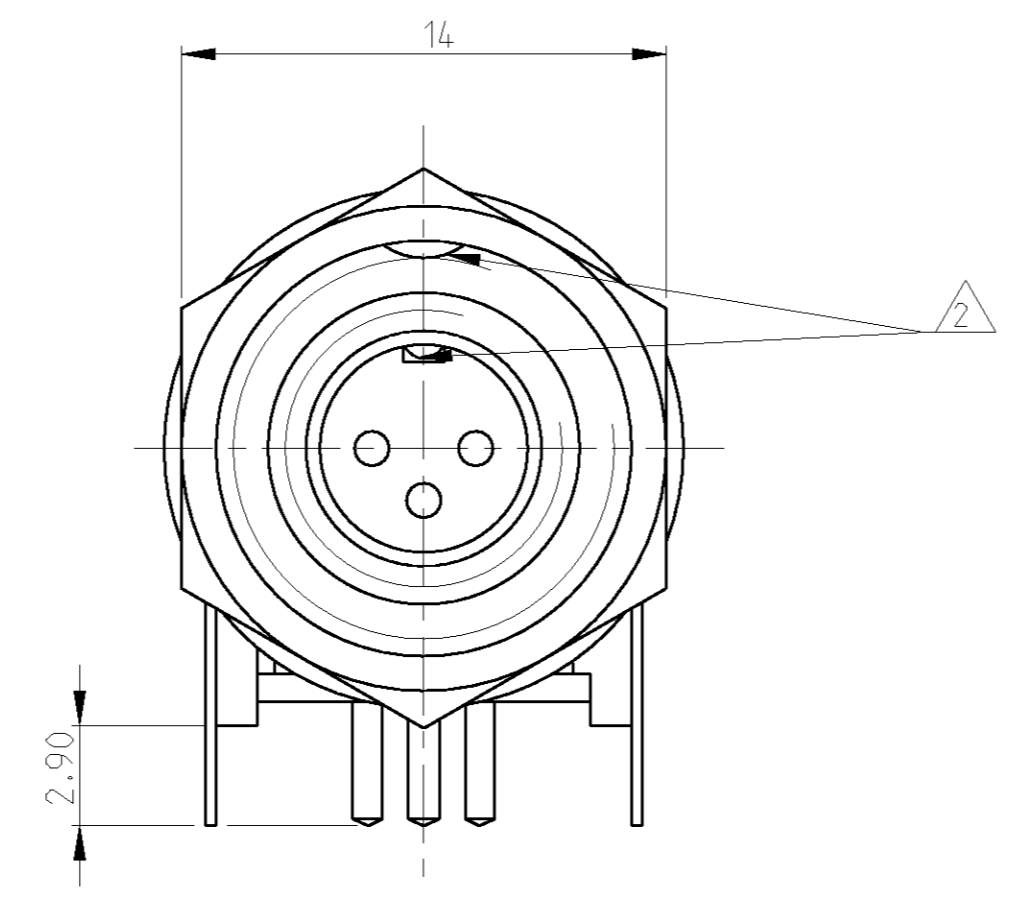
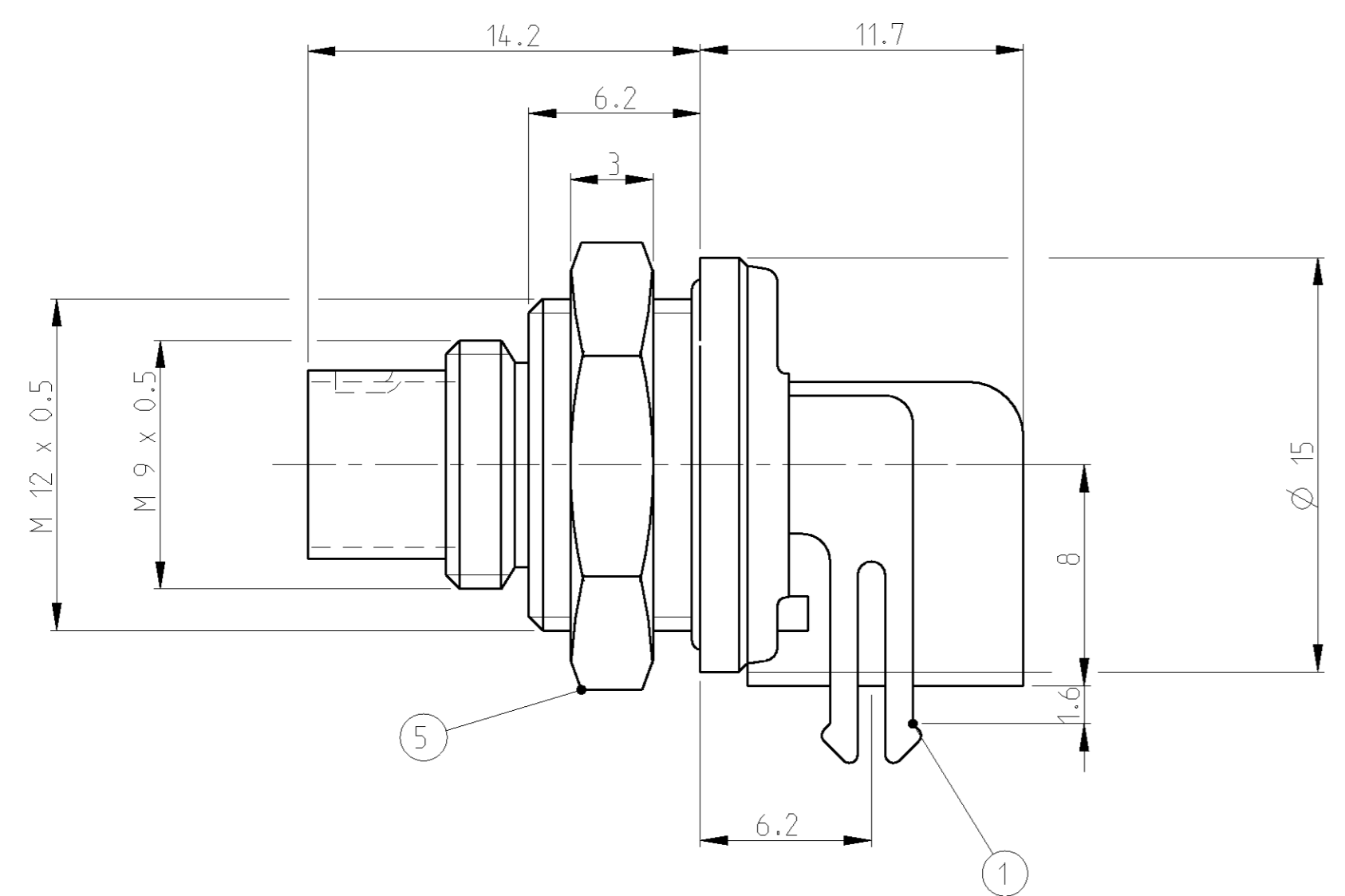
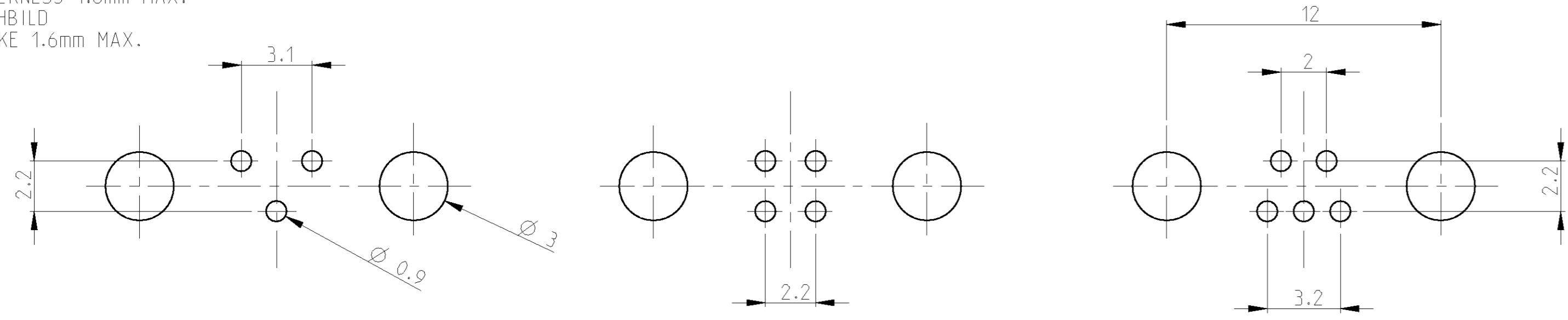
3 WAY
3 POLIG

4 WAY
4 POLIG

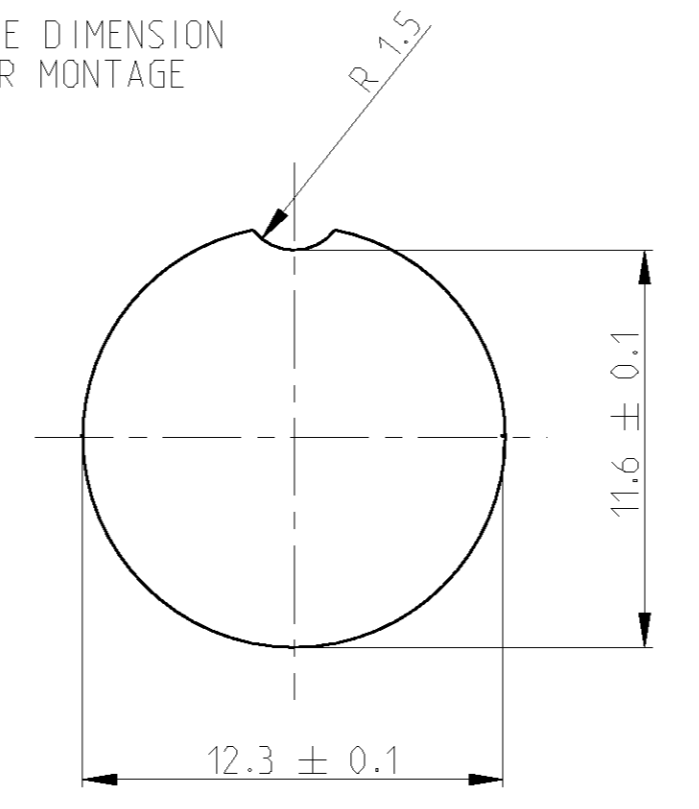
5 WAY
5 POLIG



PCB HOLES
PCB THICKNESS 1.6mm MAX.
PCB LOCHBILD
PCB DICKE 1.6mm MAX.



MOUNTING HOLE DIMENSION
LOCHBILD FUER MONTAGE



MATERIAL / MATERIAL: PBT, UL-94 V2	△5
SHELL MATERIAL / GEHAUSEMATERIAL: CUZN	
FINISH / BESCHICHTUNG: TRIBOR 4 µm	
WIRE GAGE / DRAHTGROESSE IN mm ² : 0.25	△4
CONTACT RESISTANCE / KONTAKTWIDERSTAND: => 5 mΩ	△3
CODING / CODIERUNG	△2
RATED CURRENT PER CONTACT / NENNSTROM PRO KONTAKT: 3 A	△1
SHELL PROTECTION CLASS / SCHUTZKLASSE: IP 65 / DIN 40050	
TERMINATION: SOLDERING / VERBINDUNG: LOETKONTAKTE	
TEST VOLTAGE / PRUEFSPANNUNG: 500 VAC	
OPERATING VOLTAGE / BETRIEBSSPANNUNG: 60 VAC	
OPERATING TEMPERATURE: -40°C TO +80°C / ARBEITSTEMPERATUR: -40°C BIS +80°C	
MATING CYCLES / STECKZYKLEN: 500 MAX.	
TECHNICAL DATA TECHNISCHE DATEN	

TYCO-NO./TYCO NR.				
5-1437719-1	4-1437719-8	4-1437719-5		
1			PLATE 5 POS. / PLATTE 5 POL.	13
	1		PLATE 4 POS. / PLATTE 4 POL.	12
		1	PLATE 3 POS. / PLATTE 3 POL.	11
1			INSULATION TUBE 5 POS. / ISOLIERHUELSE 5 POL.	10
	1		INSULATION TUBE 4 POS. / ISOLIERHUELSE 4 POL.	9
		1	INSULATION TUBE 3 POS. / ISOLIERHUELSE 3 POL.	8
2	2	2	MALE PIN APPLIED BY PRESSURE / STIFTKONTAKT EINGEPRESST	7
3	2	1	MALE PIN APPLIED BY PRESSURE / STIFTKONTAKT EINGEPRESST	6
1	1	1	NUT / MUTTER	5
1	1	1	SEAL / DICHTUNG	4
1	1	1	SEAL / DICHTUNG	3
1	1	1	HOUSING / GEHAUESE	2
1	1	1	GROUND ON PCB SPRING / VERBINDUNGSFEDER ZUR PCB MASSE	1
-	-	-	REVISION OF EACH ASSY NO. (WHEN BLANK, USE DWG REV.)	
QTY REQD PER ASSY			DESCRIPTION / BESCHREIBUNG	ITEM-NO. TEIL-NR.
T01-0560-P05	T01-0560-P04	T01-0560-P03	PARTS LIST / TEILE LISTE	
CATALOG-NO.	CATALOG-NO.	CATALOG-NO.		

4-1437719-5 AS SHOWN
WIE GEZEICHNET

<small>THIS DRAWING IS UNCLASSIFIED AND RELEASED FOR PUBLICATION BY TIPO ELECTRONICS CORPORATION. ALL RIGHTS RESERVED. DATE: 01/07/2000</small>		DWN: H. GEISLER 18JUN2001 CDR: H. SCHERER 18JUN2001 APVD: H. GEISLER 18JUN2001	tyco Electronics tyco Electronics AMP GmbH D - 64625 Bensheim
DIMENSIONS: MASSENMEN (mm) TOLERANCES, UNLESS OTHERWISE SPECIFIED: ALLEMASSSTÄBEN 0 PLC ±0.3 1 PLC ±0.2 2 PLC ±0.2 3 PLC ±0.2 4 PLC ±0.2 FINISH: SCHLÜSSELFÄRBE		NAME: T01 MALE PLUS CONN. PANEL MNT. PCB VER. 3-5 POS. 90 DGR. T01 STIFTSTECKER, EINBAU, PCB VER. 3-5 POL. 90 GRAD PRODUCT SPEC. PRODUKTSPEZ. APPLICATION SPEC. VERARBEITUNGSPEZ.	SIZE: CAGE CODE: DRAWING NO.: 00779 SCALE: 1:1 SHEET: 1 OF 1 REV: A2
MATERIAL: - WEIGHT: - CUSTOMER DRAWING		RESTRICTED TO MR. PIER: - SCALE: MASSSTAB: - SHEET: 1 OF 1 REV: A2	CUSTOMER DRAWING: /KUNDENZEICHNUNG

单击下面可查看定价，库存，交付和生命周期等信息

[>>TE Connectivity\(泰科\)](#)