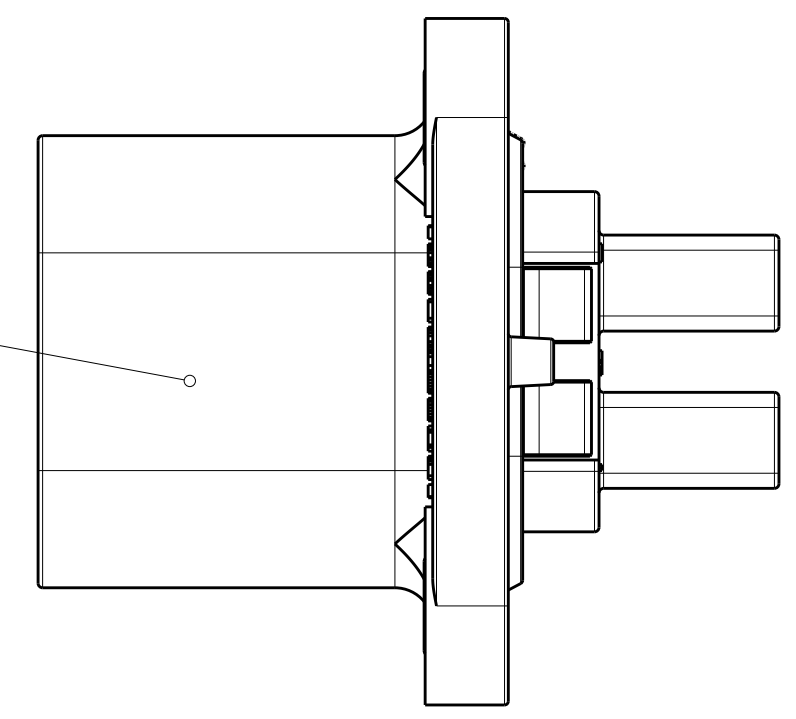
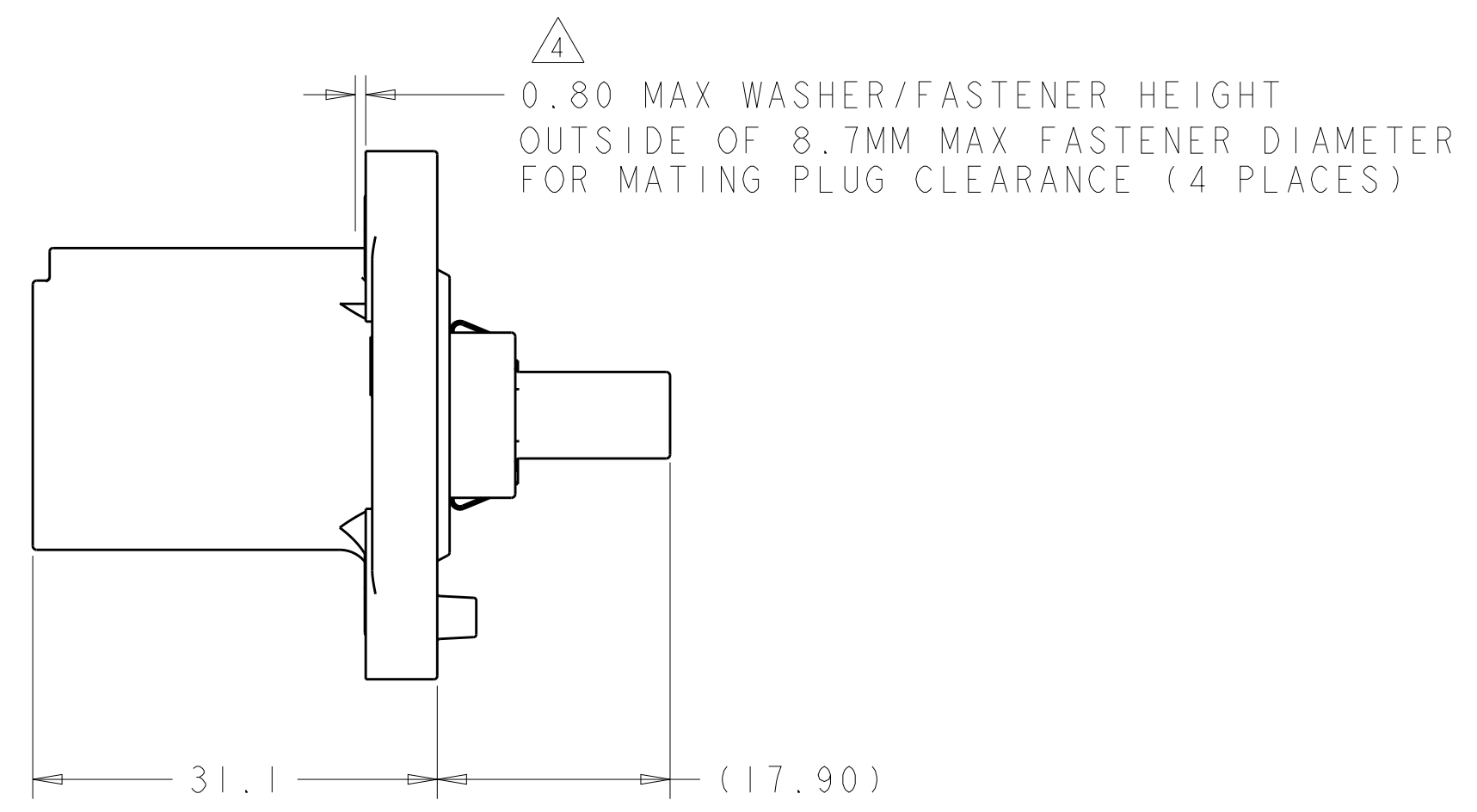
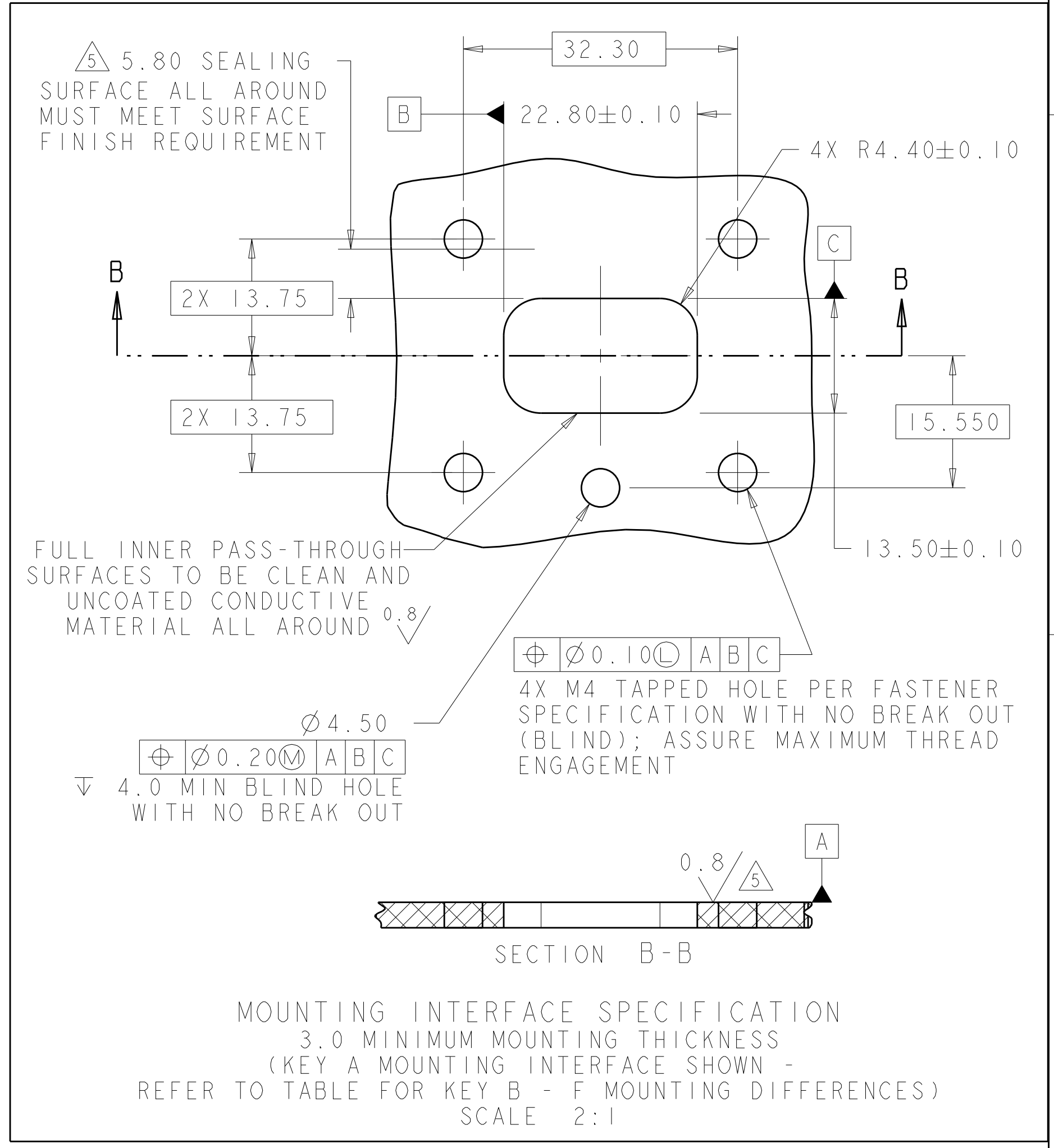
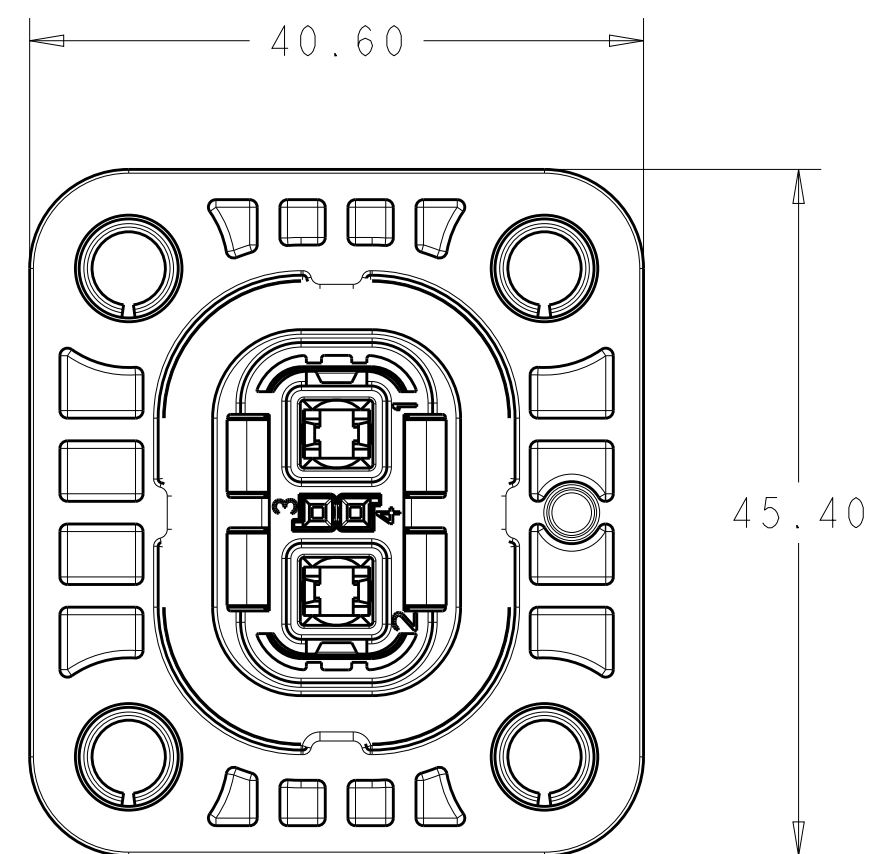
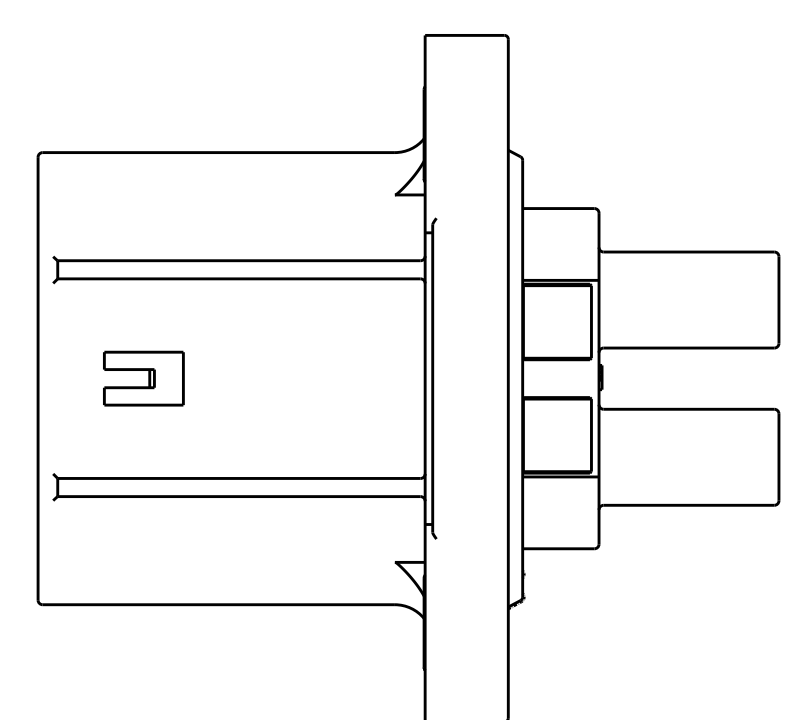
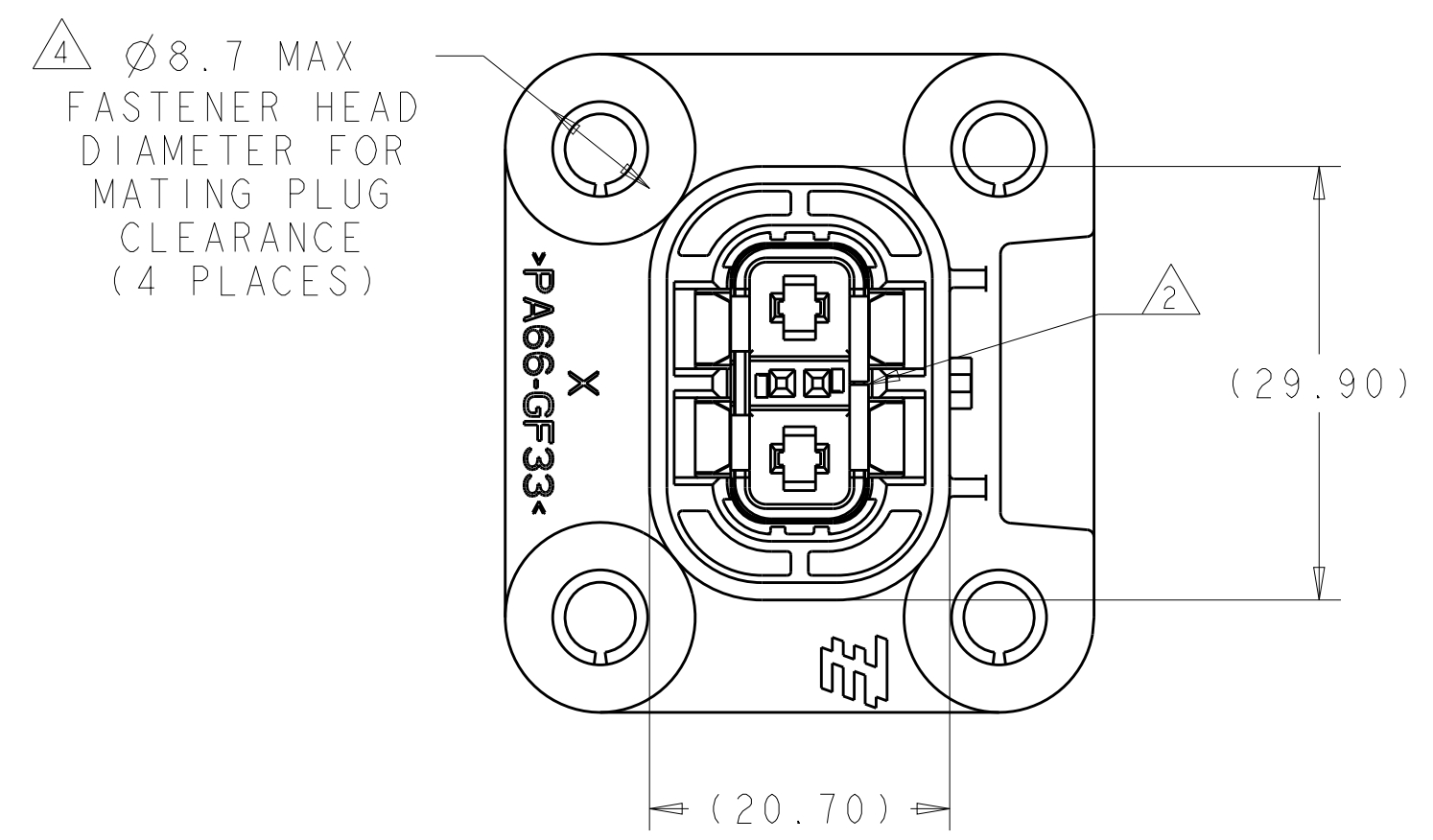
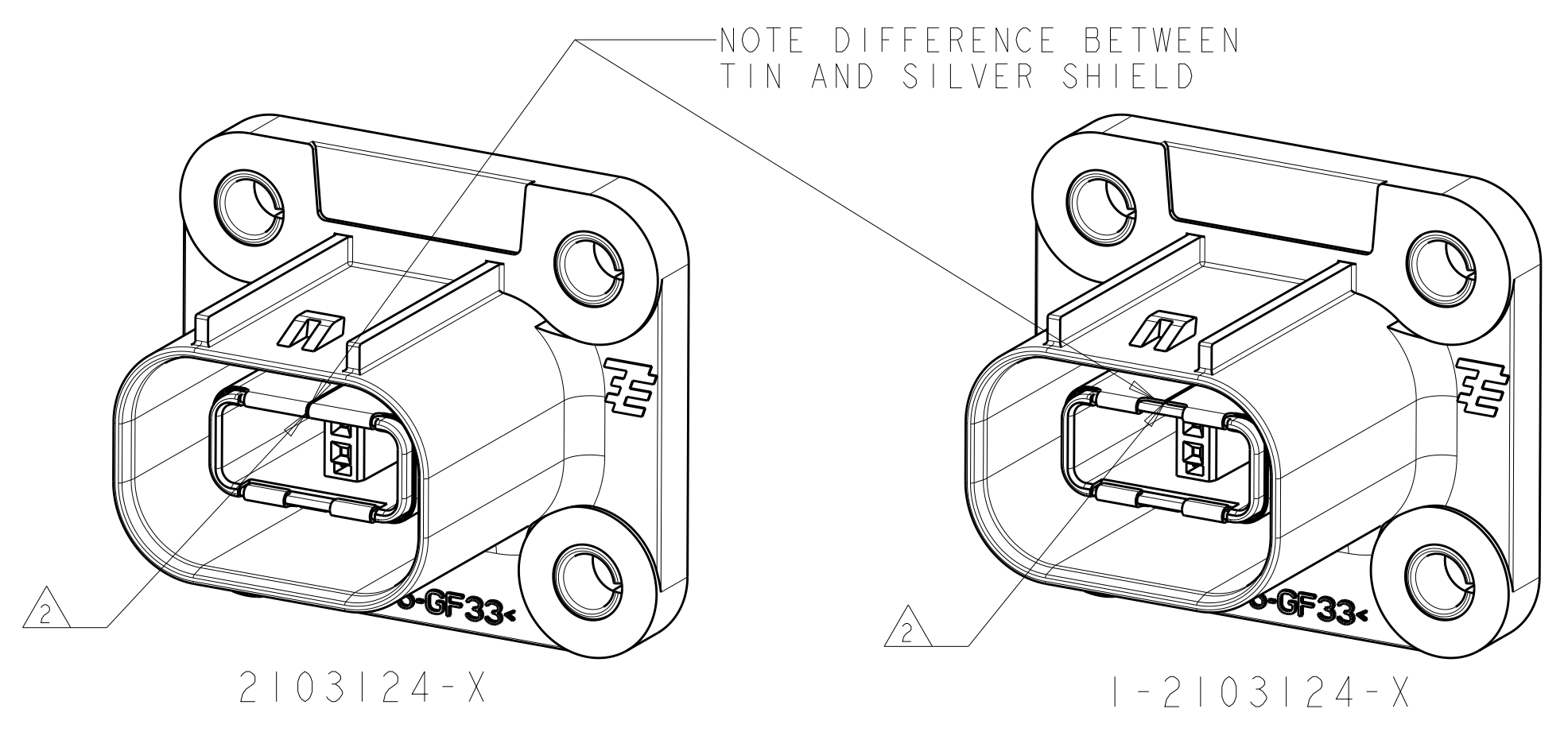
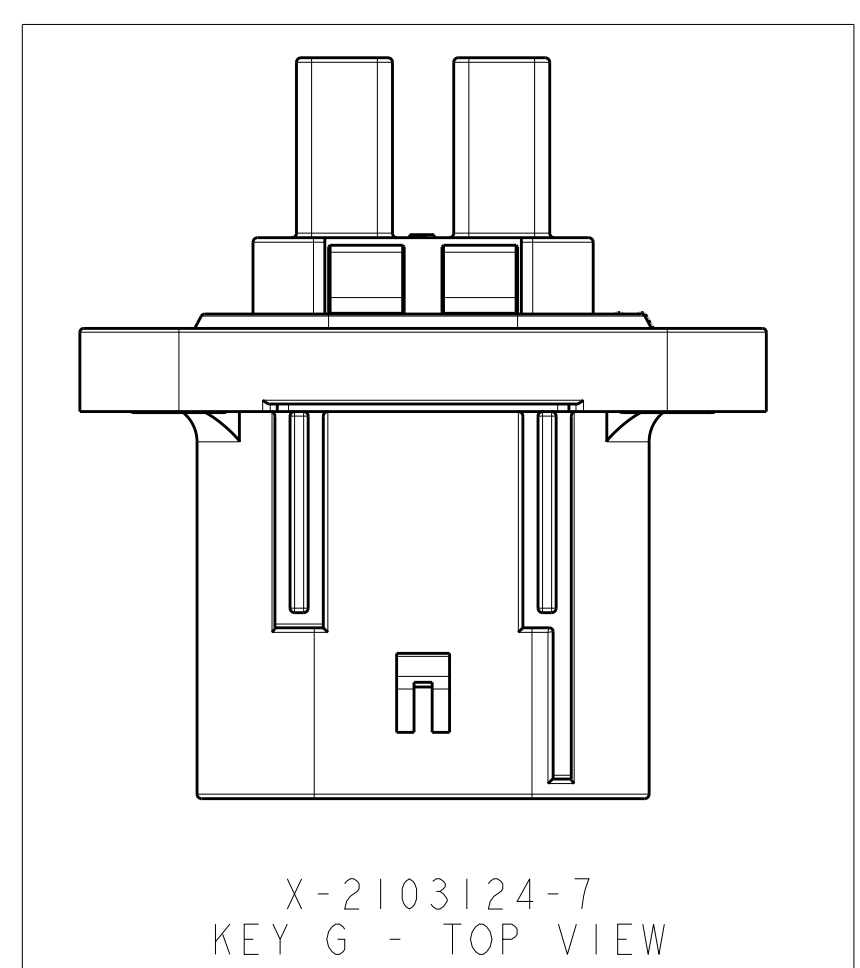


REVISIONS				
P.	LTN	DESCRIPTION	DATE	OWN APVD
B2	ECO-14-008515		06JUN2014	YS TD



- IDENTIFICATION MARKING ON THIS SURFACE CONTAINS ASSEMBLY P/N AND DATE CODE (YYDD). TEXT ORIENTATION, SIZE, AND LOCATION CAN VARY AS LONG AS TEXT IS ON SURFACE SHOWN AND READABLE.
- SHIELD SEAM CAN BE POSITIONED AS SHOWN OR ROTATED 180° FROM POSITION SHOWN.
- DELETED
- THESE DIMENSIONS DEFINE FASTENER SIZE LIMITS FOR PROPER COMPONENT FUNCTIONALITY. END USER MUST ENSURE FASTENER AND/OR WASHER DIAMETER IS 8.6 MM MIN FOR PROPER RETENTION. THESE ARE NOT PRODUCT FEATURES - NO INSPECTION REQUIRED FOR THESE ITEMS.
- SURFACE FINISH APPLIES TO AREAS SHOWN IN MOUNTING INTERFACE SPECIFICATION
- USE WITH 2.8MM BLADE TERMINAL P/N:
 2-2141598-2 FOR 1.0 - 2.5MM² WIRE
 2-2141600-2 FOR >2.5 - 4.0MM² WIRE
- USE WITH MQS RECEPTACLE P/N:
 963715-6, 963715-5, 928999-6 OR 928999-5,
 DEPENDING ON WIRE SIZE AND MATING PLUG USED
- NOTE DELETED
- NOTE DELETED

2103124-1 SHOWN IN ALL VIEWS UNLESS NOTED REFER TO SHEET 2 FOR ADDITIONAL PART NUMBER VIEWS

SHIELD FINISH	INDEX	PART NO
SILVER	G	1-2103124-7
SILVER	F	1-2103124-6
SILVER	E	1-2103124-5
SILVER	D	1-2103124-4
SILVER	B	1-2103124-2
SILVER	A	1-2103124-1
TIN	G	2103124-7
TIN	F	2103124-6
TIN	E	2103124-5
TIN	D	2103124-4
TIN	B	2103124-2
TIN	A	2103124-1

THIS DRAWING IS A CONTROLLED DOCUMENT.

OWN: T. DEWILTE 30SEP2010
 CHK: T. DEWILTE 30SEP2010
 APVD: T. DEWILTE 15APR2011

DIMENSIONS: mm

TOLERANCES UNLESS OTHERWISE SPECIFIED:
 0 PLC ±0.50
 1 PLC ±0.50
 2 PLC ±0.15
 3 PLC ±0.05
 4 PLC ±0.05
 ANGLES ±°

MATERIAL: -
 FINISH: -

WEIGHT: 22.7 g
 CUSTOMER DRAWING

NAME: HVA280 2P HEADER ASSY W/HVIL - PLASTIC 1 PIECE CHART DRAWING
 SIZE: 408-10441
 SCALE: 2:1

REV B2

REVISIONS				
P.	LTN	DESCRIPTION	DATE	APVD
-	-	SEE SHEET 1	-	-

	X-2103124-1 (KEY A)	X-2103124-2 (KEY B)	X-2103124-4 (KEY D)	X-2103124-5 (KEY E)	X-2103124-6 (KEY F)	X-2103124-7 (KEY G)
FRONT VIEW						
SIDE VIEW						
REAR VIEW						
INTERFACE VIEW - MOUNTING SIDE						
	KEY A MOUNTING INTERFACE	KEY B MOUNTING INTERFACE	KEY D MOUNTING INTERFACE	KEY E MOUNTING INTERFACE	KEY F MOUNTING INTERFACE	KEY G MOUNTING INTERFACE

THIS DRAWING IS A CONTROLLED DOCUMENT. DWN T. DEWILITE 30SEP2010
 CHK T. DEWILITE 30SEP2010
 APVD T. DEWILITE 15APR2011

STE TE Connectivity

NAME: HVA280 2P HEADER ASSY
 W/HVIL - PLASTIC 1 PIECE
 CHART DRAWING

PRODUCT SPEC: -
 APPLICATION SPEC: -
 SIZE: 408-10441
 WEIGHT: 22.7 g
 CUSTOMER DRAWING

DIMENSIONS: mm
 TOLERANCES UNLESS OTHERWISE SPECIFIED:
 0 PLC ±0.50
 1 PLC ±0.50
 2 PLC ±0.15
 3 PLC ±0.05
 4 PLC ±0.05
 ANGLES ±°

MATERIAL: -
 FINISH: -

SCALE: 2:1 SHEET 2 OF 2 REV: B2

单击下面可查看定价，库存，交付和生命周期等信息

[>>TE Connectivity\(泰科\)](#)