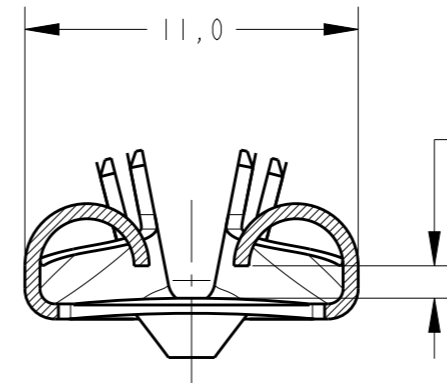
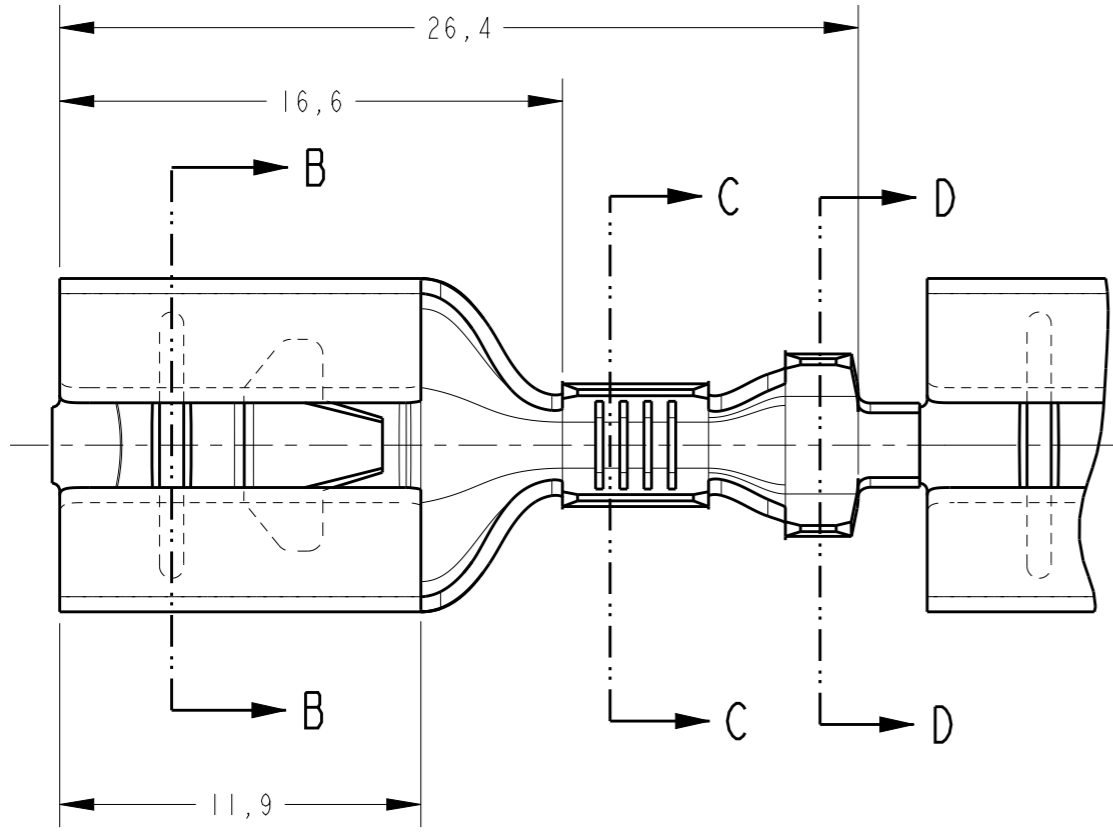


THIS DRAWING IS UNPUBLISHED. RELEASED FOR PUBLICATION 20
 © COPYRIGHT 20 BY - ALL RIGHTS RESERVED.

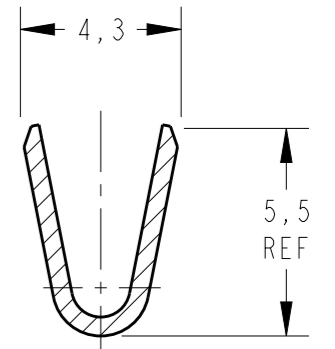
creo
 Creo Parametric 2.0
DO NOT REVISE EXCEPT BY CAD

P		LTR	DESCRIPTION	DATE	DWN	APVD
		C	REDRAW BY CAD ECO-14-008817	16JUN2014	NCL	LWP
		CI	REVISED BY ECO 16-003723	29JUN2016	HC	WLS

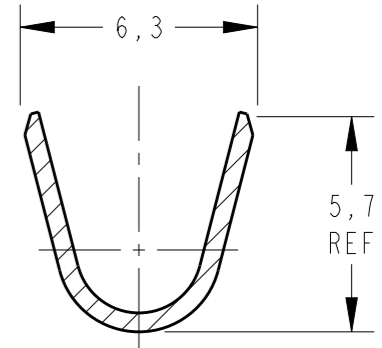


SECTION B-B
SCALE 4:1

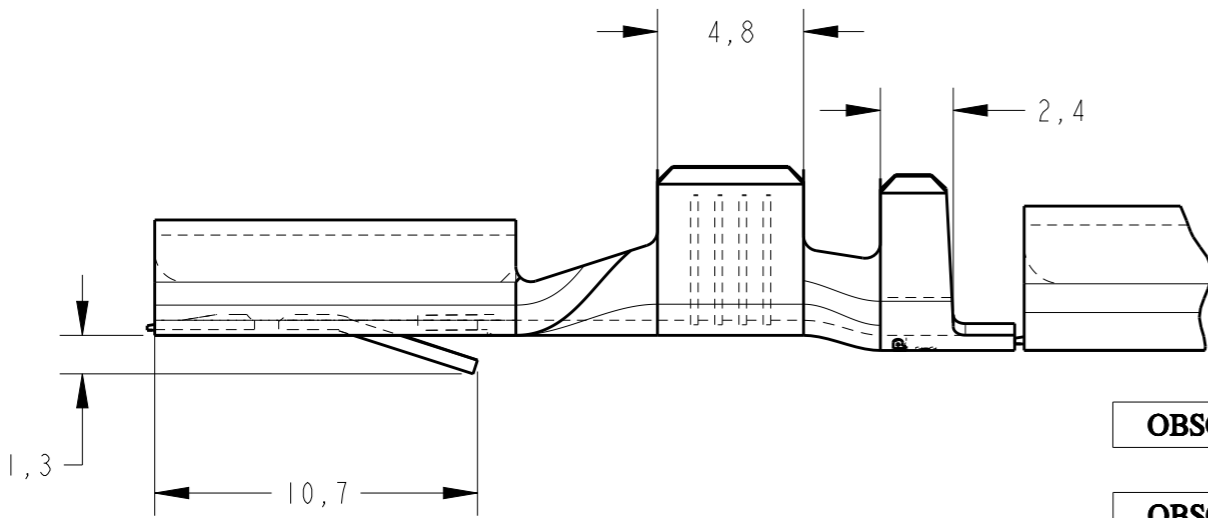
PARA LINGUETA
 1,2 ESP. x 9,5 LARG.
 FOR TAB 1,2 THK x 9,5 WIDTH



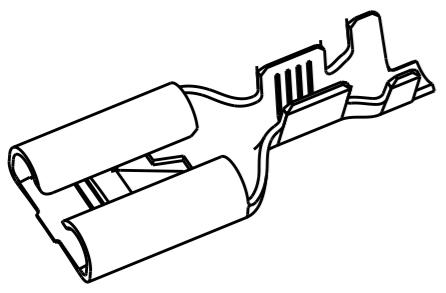
SECTION C-C
SCALE 5:1



SECTION D-D
SCALE 5:1



FINISH	MATERIAL	PART NUMBER
ESTANHADO / TIN PLATED	BRONZE FOSF. / PHOP. BRONZE	880003 -4
OBSOLETE	BRONZE FOSF. / PHOP. BRONZE	880003 -3
ESTANHADO / TIN PLATED	LATÃO / BRASS	880003 -2
OBSOLETE	LATÃO / BRASS	880003 -1



PERSPECTIVE VIEW
SCALE 2:1

WIRE RANGE
2,5-4,0mm²
 INS. DIA. RANGE
Ø 3,3-4,5mm

THIS DRAWING IS A CONTROLLED DOCUMENT.

DIMENSIONS: mm	TOLERANCES UNLESS OTHERWISE SPECIFIED: 0 PLC ± 1 PLC ±0,3 2 PLC ± 3 PLC ± 4 PLC ± ANGLES ±1°	MATERIAL SEE TABLE	FINISH SEE TABLE	DWN 25FEB2014 NCLAPRESA	CHK 25FEB2014 JRGOLDSCHMIDT	APVD 25FEB2014 DAOLIVEIRA	PRODUCT SPEC 108-37015	APPLICATION SPEC -	WEIGHT -	CUSTOMER DRAWING	SCALE 4:1	SHEET 1 OF 1	REV C1
-------------------	--	-----------------------	---------------------	----------------------------	--------------------------------	------------------------------	---------------------------	-----------------------	-------------	------------------	-----------	--------------	--------

NAME: -
FAST-IN-ON .375 RECEPTACLE

SIZE: A3 CAGE CODE: - DRAWING NO: C-880003 RESTRICTED TO: -

STE TE Connectivity

单击下面可查看定价，库存，交付和生命周期等信息

[>>TE Connectivity\(泰科\)](#)