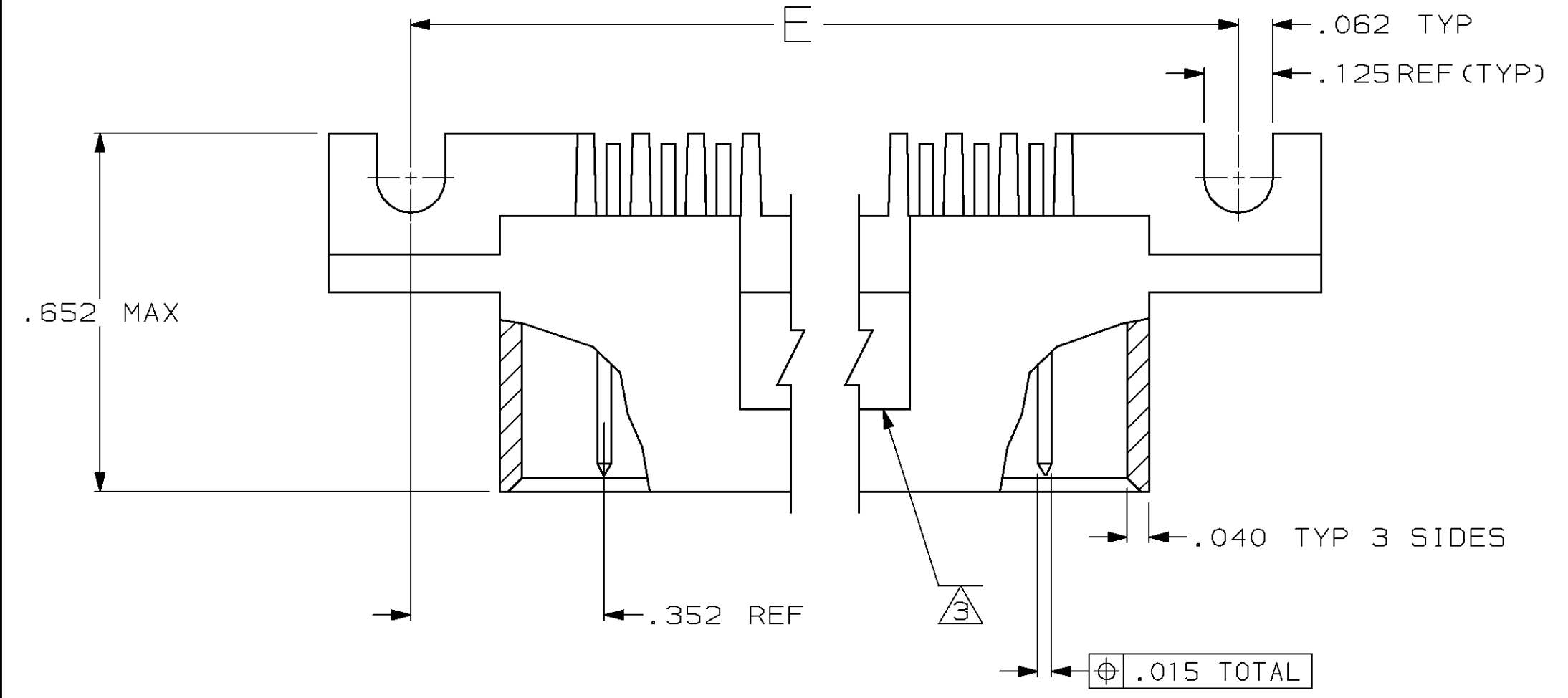


DRAWING MADE IN THIRD ANGLE PROJECTION
 THIS DRAWING IS UNPUBLISHED. RELEASED FOR PUBLICATION
 © COPYRIGHT 19 BY AMP INCORPORATED, HARRISBURG, PA. ALL INTERNATIONAL RIGHTS RESERVED. AMP PRODUCTS MAY BE COVERED BY U.S. AND FOREIGN PATENTS AND/OR PATENTS PENDING.

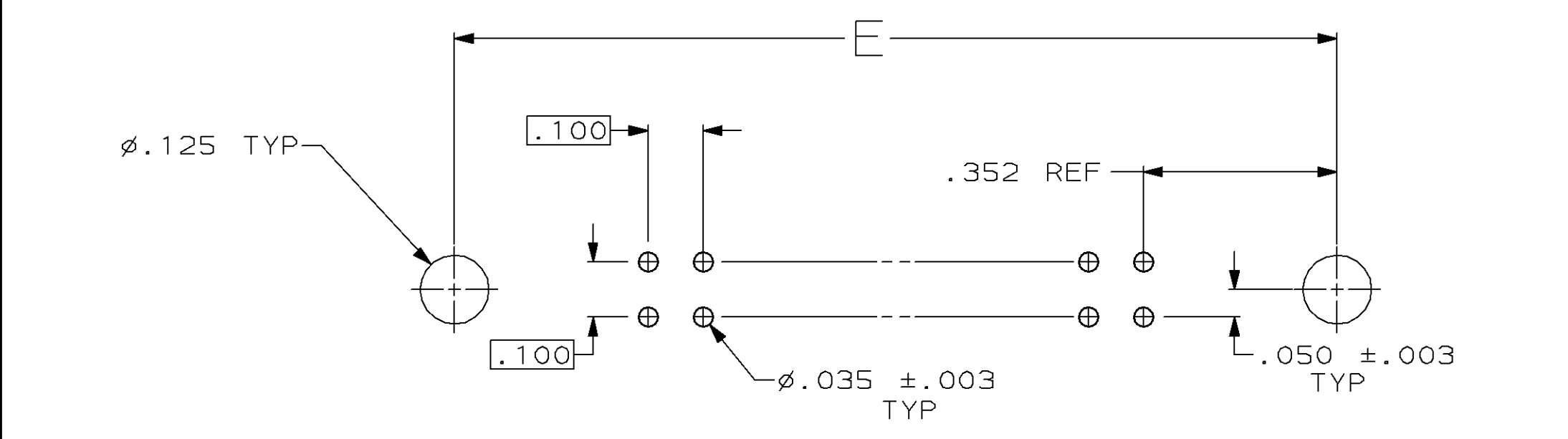
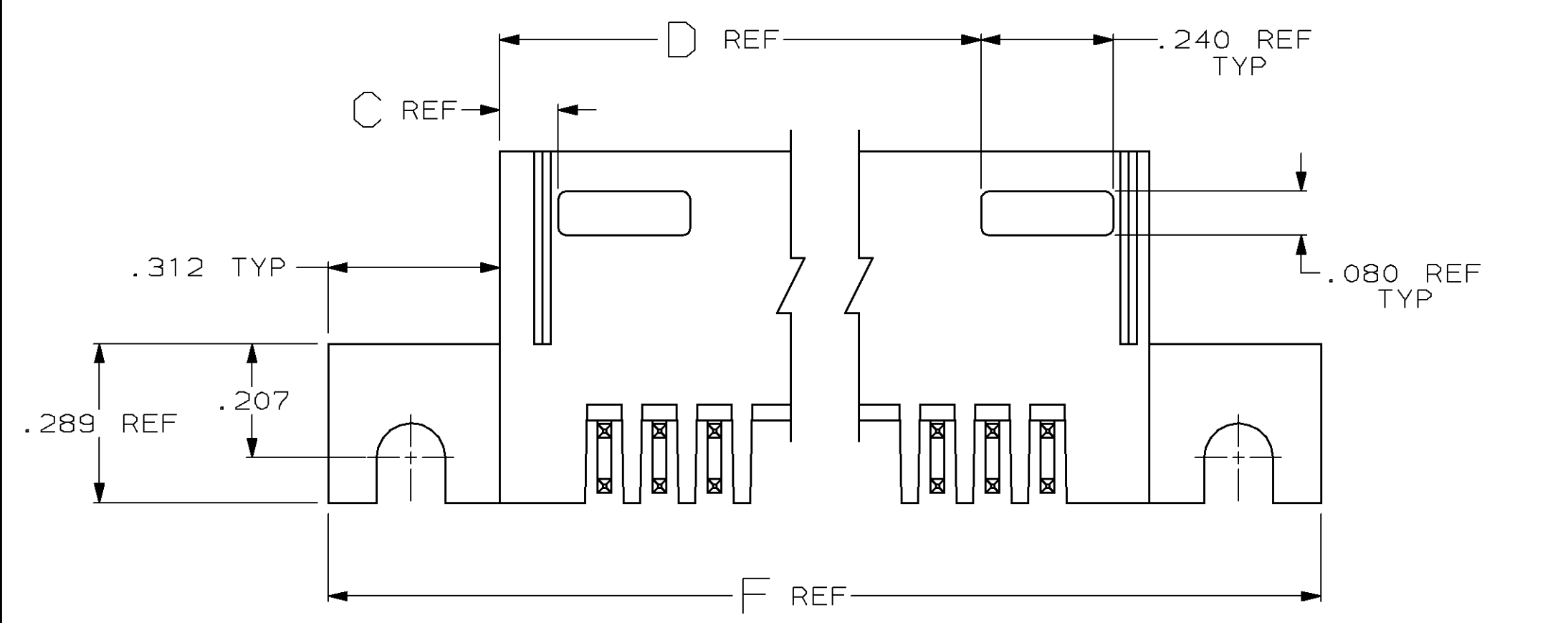
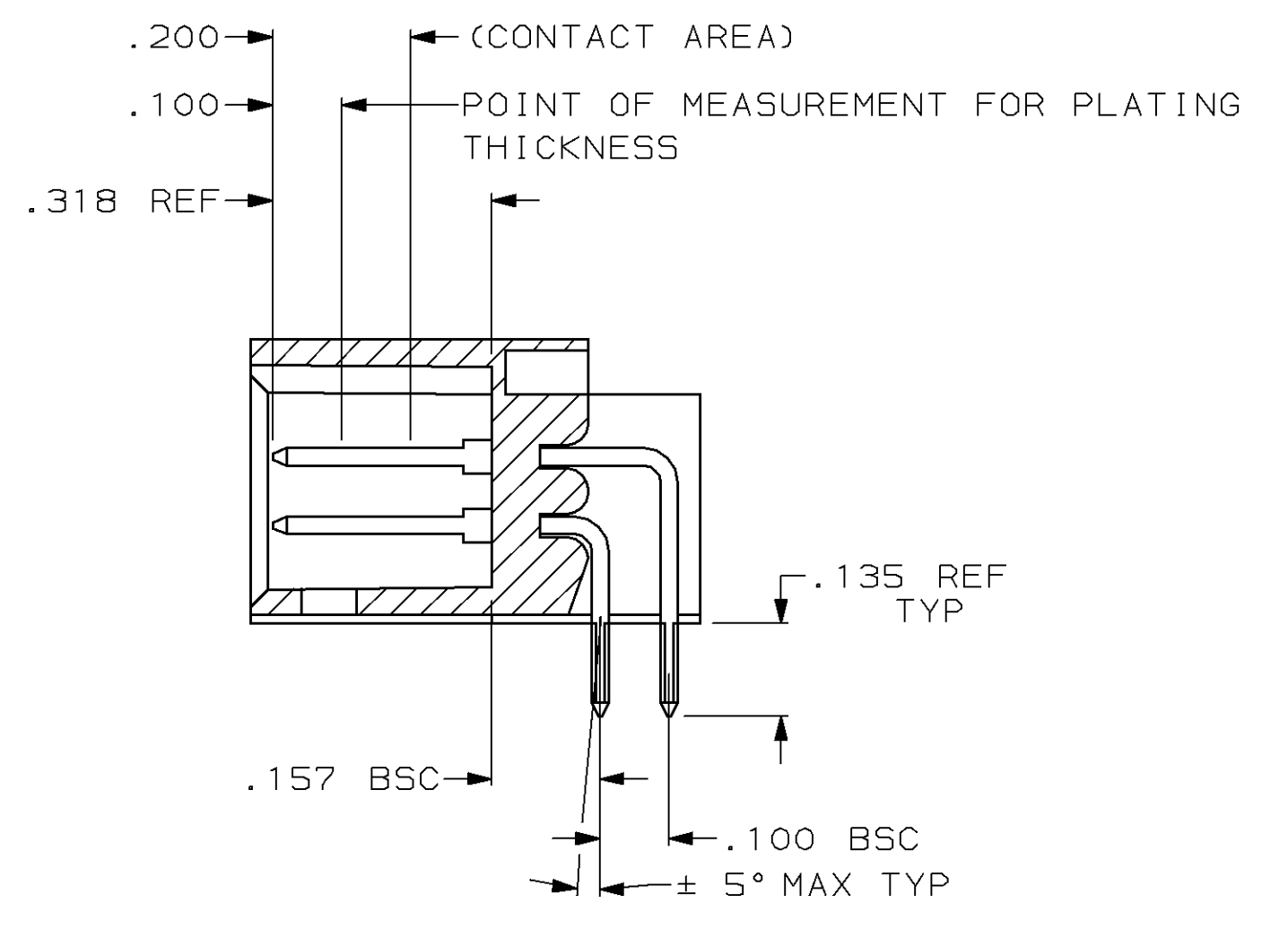
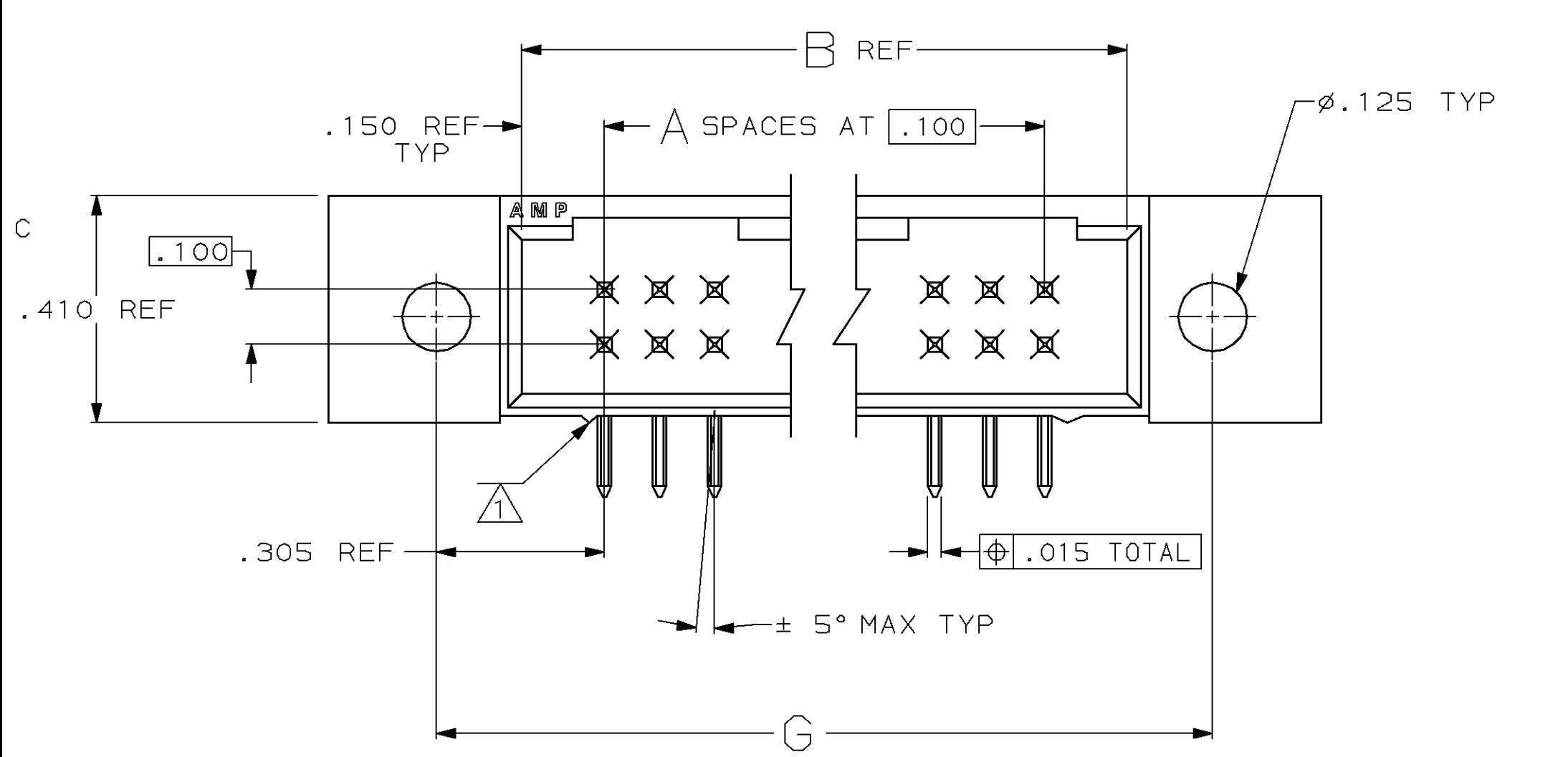
MOD	LOC	DIST	P	F	ZONE	LTR	DESCRIPTION	DATE	APPD
25	AD	39					REV/REDRAW PER ECN AR2699	10-11-88	-
							REV LOC & DIST AD-4171	3-90	BF
							ECN AD-4707	08/02/90	KIH
							REV PER AD-5084	1-31-91	-
							REV PER AD-5161	1-31-91	-
							REV PER 0310-0040-96	12-16-96	SAS
							REV PER 0010-0713-96	1-17-97	SAS



STANDOFFS: 10 THRU 18 POSN (2) REQ'D LOCATED AS SHOWN-OUTBOARD OF END CIRCUITS
 20 THRU 38 POSN (3) REQ'D LOCATED OUTBOARD OF END CIRCUITS PLUS ONE CENTERED
 40 THRU 60 POSN (4) REQ'D LOCATED OUTBOARD OF END CIRCUITS WITH TWO EVENLY SPACED
 SPACED WITHIN REMAINING LENGTH

WILL ALSO MATE WITH OTHER CONNECTORS WICH ARE COMPATIBLE WITH THE .150 END DIM AND
 WILL MATE WITH MOD IV HAVING FOUR EXTRA EMPTY CIRCUITS (TWO EACH END --- EX. 20 POSN
 HDR WILL MATE W/24 POSN MOD IV HSG)

ACCESS SLOT



RECOMMENDED HOLE LAYOUT

	G	F	E	D	C	B	A	NO OF POSN	ASSEMBLY PART NUMBER
OBSOLETE	3.510	3.904	3.604	2.890	.190	3.200	29	60	2-87672-6
OBSOLETE	3.410	3.804	3.504	2.790	.190	3.100	28	58	2-87672-5
OBSOLETE	3.310	3.704	3.404	2.690	.190	3.000	27	56	2-87672-4
OBSOLETE	3.210	3.604	3.304	2.590	.190	2.900	26	54	2-87672-3
OBSOLETE	3.110	3.504	3.204	2.490	.190	2.800	25	52	2-87672-2
OBSOLETE	3.010	3.404	3.104	2.390	.190	2.700	24	50	2-87672-1
OBSOLETE	2.910	3.304	3.004	2.290	.190	2.600	23	48	2-87672-0
OBSOLETE	2.810	3.204	2.904	2.190	.190	2.500	22	46	1-87672-9
OBSOLETE	2.710	3.104	2.804	2.090	.190	2.400	21	44	1-87672-8
OBSOLETE	2.610	3.004	2.704	1.990	.190	2.300	20	42	1-87672-7
OBSOLETE	2.510	2.904	2.604	1.890	.190	2.200	19	40	1-87672-6
OBSOLETE	2.410	2.804	2.504	1.790	.190	2.100	18	38	1-87672-5
OBSOLETE	2.310	2.704	2.404	1.690	.190	2.000	17	36	1-87672-4
OBSOLETE	2.210	2.604	2.304	1.590	.190	1.900	16	34	1-87672-3
OBSOLETE	2.110	2.504	2.204	1.490	.190	1.800	15	32	1-87672-2
OBSOLETE	2.010	2.404	2.104	1.390	.190	1.700	14	30	1-87672-1
OBSOLETE	1.910	2.304	2.004	1.290	.190	1.600	13	28	1-87672-0
OBSOLETE	1.810	2.204	1.904	1.190	.190	1.500	12	26	87672-9
OBSOLETE	1.710	2.104	1.804	1.090	.190	1.400	11	24	87672-8
OBSOLETE	1.610	2.004	1.704	.990	.190	1.300	10	22	87672-7
OBSOLETE	1.510	1.904	1.604	.890	.190	1.200	9	20	87672-6
OBSOLETE	1.410	1.804	1.504	.790	.190	1.100	8	18	87672-5
OBSOLETE	1.310	1.704	1.404	.690	.190	1.000	7	16	87672-4
OBSOLETE	1.210	1.604	1.304	.590	.190	.900	6	14	87672-3
OBSOLETE	1.110	1.504	1.204	.490	.190	.800	5	12	87372-2
OBSOLETE	1.010	1.404	1.104	.390	.190	.700	4	10	87672-1

UNLESS OTHERWISE SPECIFIED DIMENSIONS ARE IN INCHES TOLERANCES ON : 2 PL DEC ± .005 3 PL DEC ± .005 ANGLES ±	DR 10/11/89 KATE HELM CHK 10-25-89 R. ELICKER APPD 10-25-89 R. ELICKER APPD 10-25-89 FLINCHBAUGH PRODUCT SPEC - APPLICATION SPEC - WEIGHT -	AMP INCORPORATED Harrisburg, Pa. 17105 NAME HEADER ASSY, MOD II, DBL ROW, RIGHT ANGLE, .100X.100 WITH .025 SQ POSTS
MATERIAL: HOUSING: FLAME RETARDANT THERMOPLASTIC, COLOR-BLACK POSTS: PHOS BRONZE FINISH: POSTS: .000030 GOLD IN CONTACT AREA, GOLD FLASH ON SOLDER AREA, ALL OVER .000050 MIN NICKEL ON ENTIRE POST.	SIZE D F5CM NO 00779 DRAWING NO 87672 SCALE 4:1 SHEET 1 OF 1	AMP INCORPORATED Harrisburg, Pa. 17105 NAME HEADER ASSY, MOD II, DBL ROW, RIGHT ANGLE, .100X.100 WITH .025 SQ POSTS

单击下面可查看定价，库存，交付和生命周期等信息

[>>TE Connectivity\(泰科\)](#)