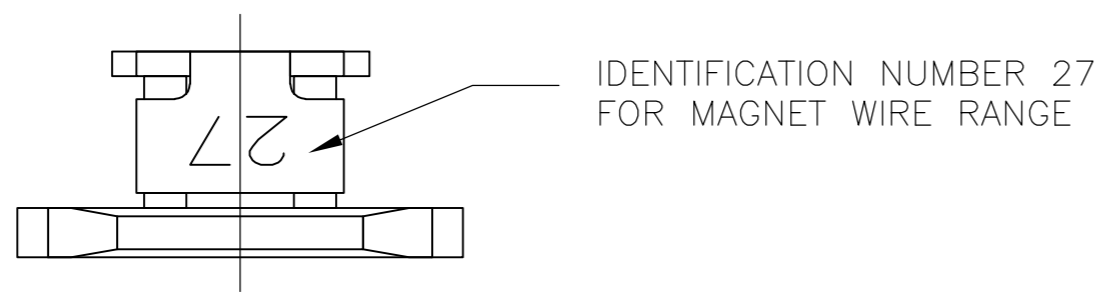
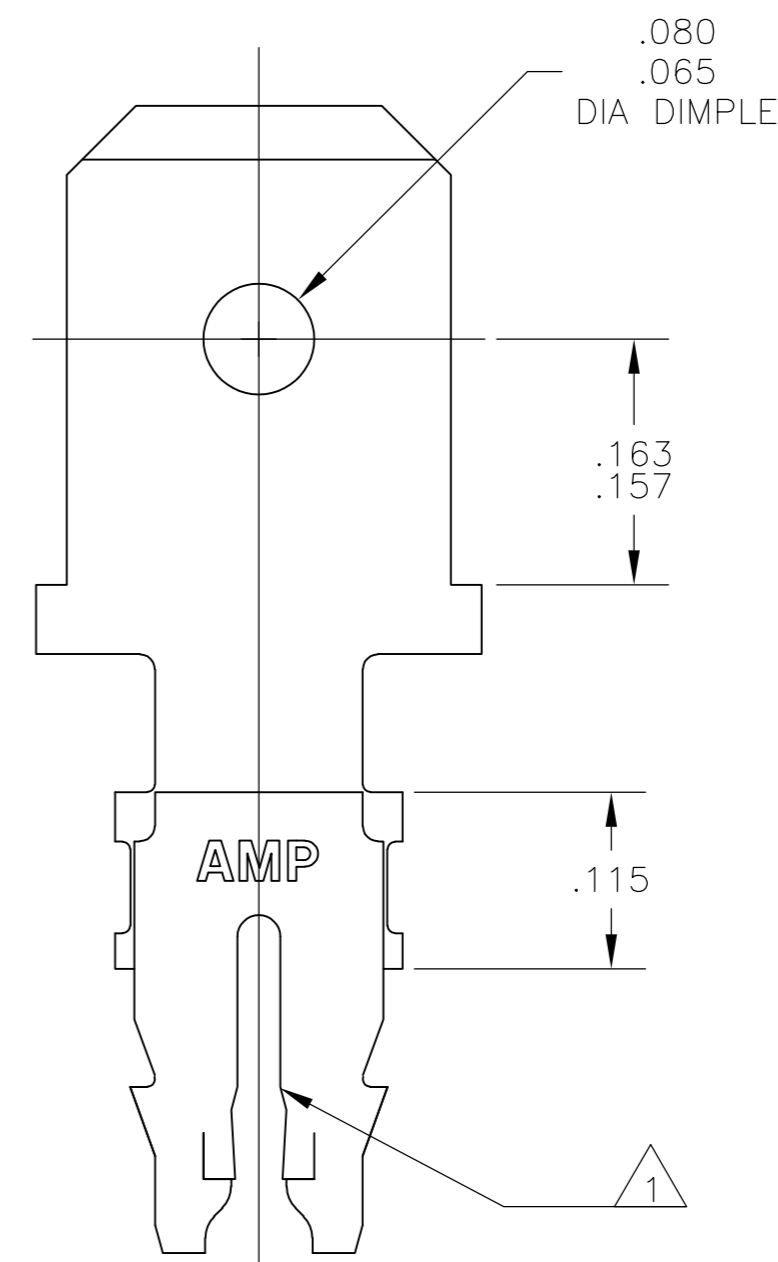
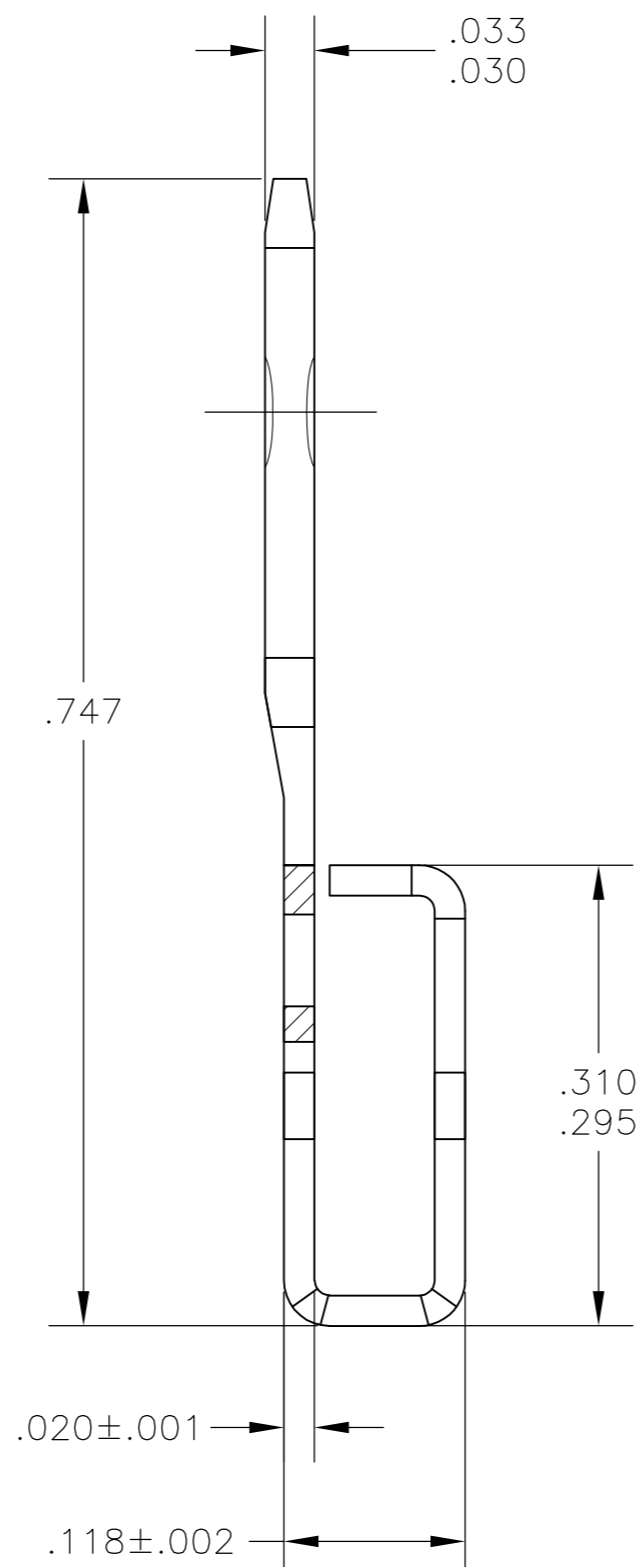
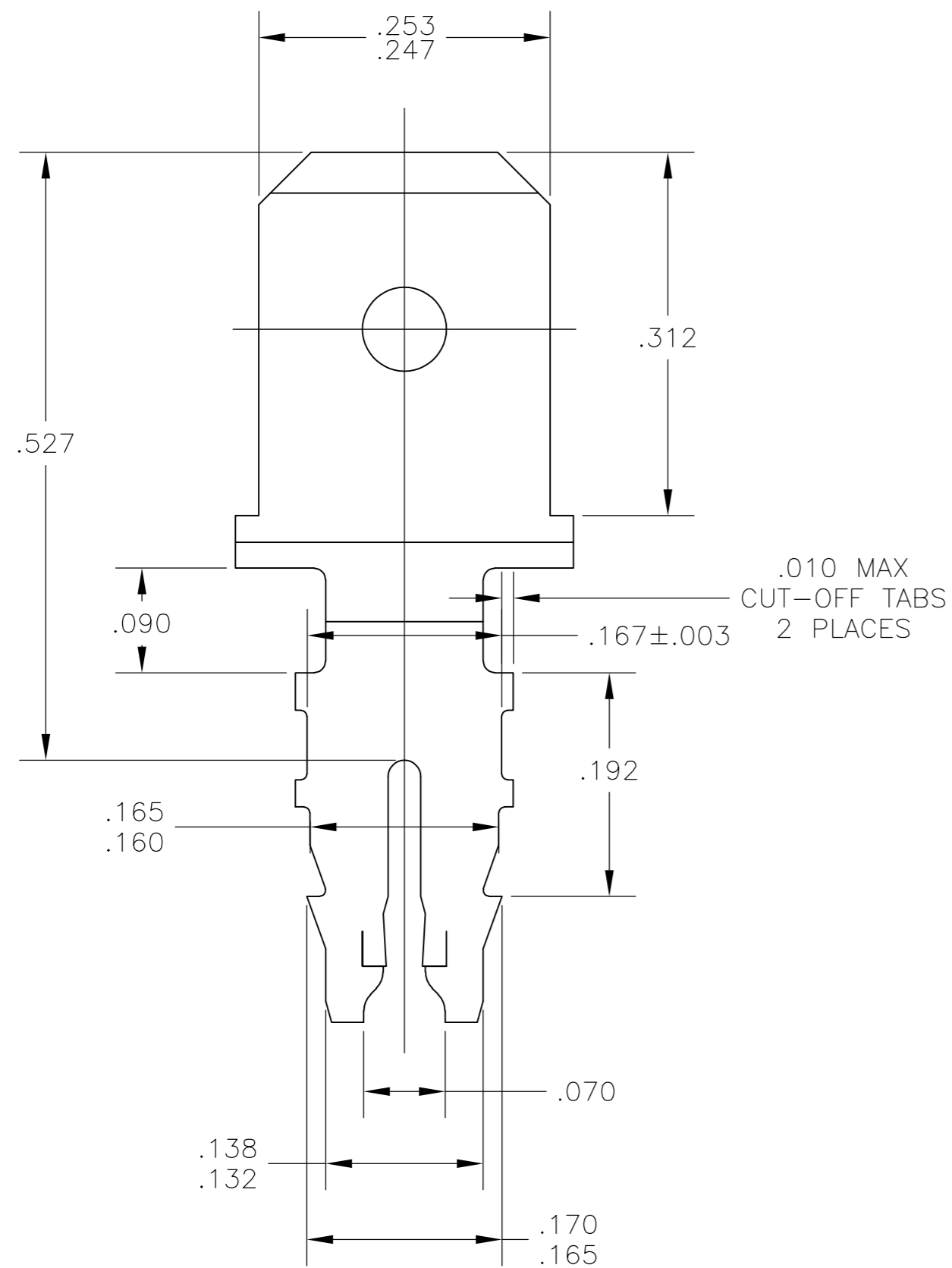


THIS DRAWING IS UNPUBLISHED. RELEASED FOR PUBLICATION  
 © COPYRIGHT BY TYCO ELECTRONICS CORPORATION. ALL INTERNATIONAL RIGHTS RESERVED.

LOC	DIST	REVISIONS			
P	LTR	DESCRIPTION	DATE	DWN	APVD
AF	50	A1	REVISED PER ECR-09-014283	26JUN09	HMR KR



- 1 SLOT TERMINATES A SINGLE OR DOUBLE MAGNET WIRE OF THE SAME SIZE AND TYPE. COPPER RANGE: #19-#17 AWG
- 2 AFTER INSERTION INTO PLASTIC HOLDER TAB PORTION MUST BE BENT OVER 45° TO 90° OR POTTED-IN TO PREVENT PULL-OUT WHEN MATING RECEPTACLE IS DISCONNECTED.
- 3 SPECIAL CAVITY ANVIL HEIGHT REQUIRED .130±.003 REF APPLICATION SPEC 114-2046, SEC. 3.2, NOTE 7
- 4 .000080 - .000250 TIN PLATE



1742490-1  
PART NUMBER

THIS DRAWING IS A CONTROLLED DOCUMENT.		DWN M.S. FEHER 23OCT2006	Tyco Electronics Corporation Harrisburg, PA 17105-3608	
DIMENSIONS: INCHES		CHK K.A. RANDOLPH 23OCT2006	NAME K.A. RANDOLPH	
TOLERANCES UNLESS OTHERWISE SPECIFIED:		APVD K.A. RANDOLPH 23OCT2006	PRODUCT SPEC 108-2012	
0 PLC ± -		APPLICATION SPEC 114-2046 3		
1 PLC ± -		SIZE A2		
2 PLC ± -		CAGE CODE 00779		
3 PLC ± .010		DRAWING NO 1742490		
4 PLC ± -		RESTRICTED TO -		
ANGLES ± -		SCALE 10:1		
FINISH 4		SHEET 1 of 1		
MATERIAL 4M PRE-MILLED BRASS		REV A1		
CUSTOMER DRAWING		SCALE 10:1		

单击下面可查看定价，库存，交付和生命周期等信息

[>>TE Connectivity\(泰科\)](#)