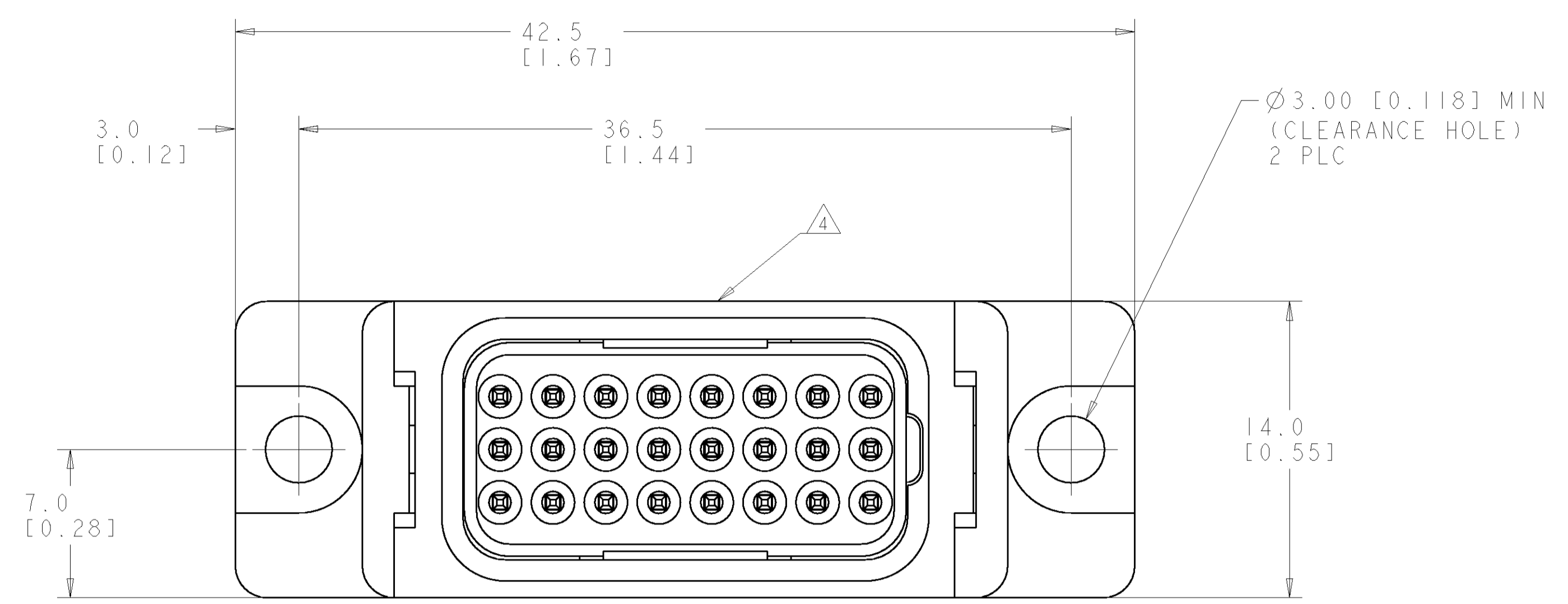


LOC	DIST	REVISIONS			
P	LTR	DESCRIPTION	DATE	DWN	APVD
B		RELEASED	25JUL2006	RG	DO



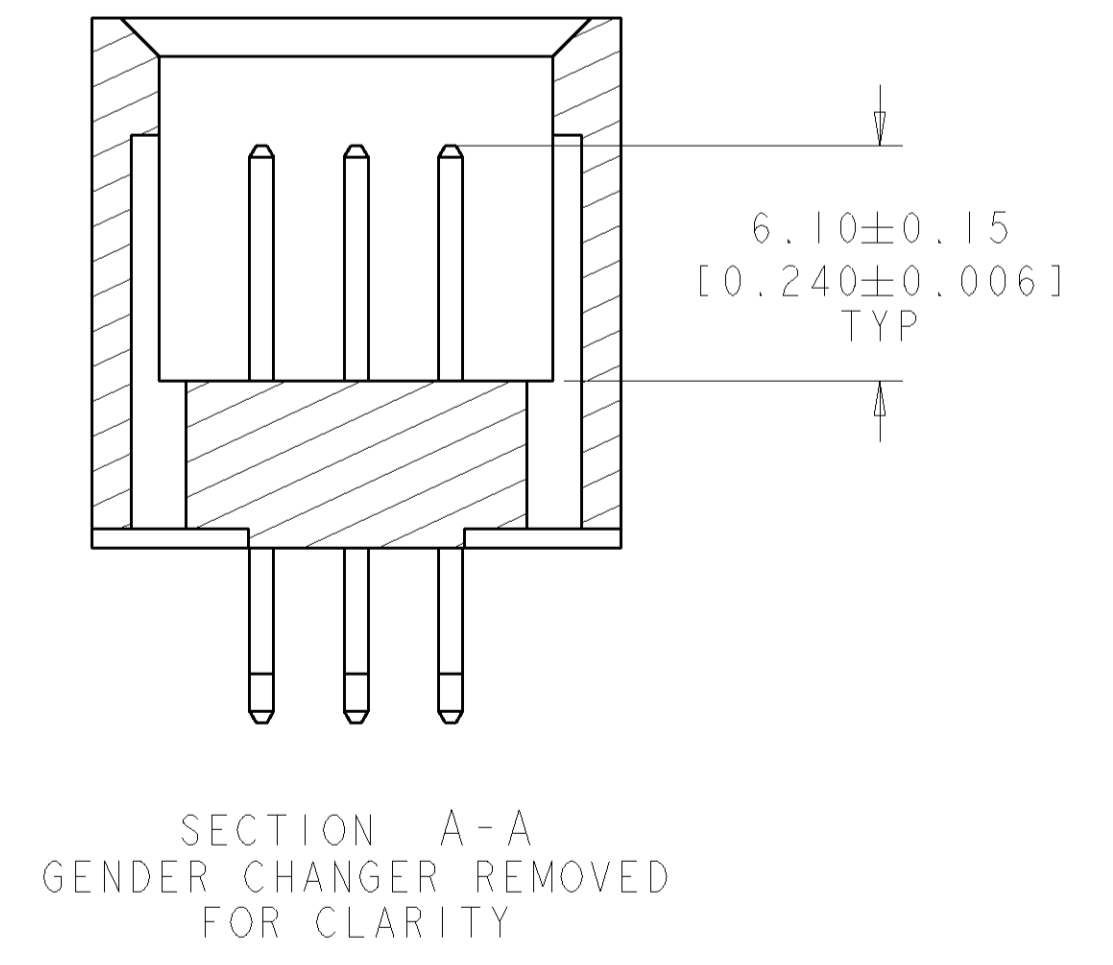
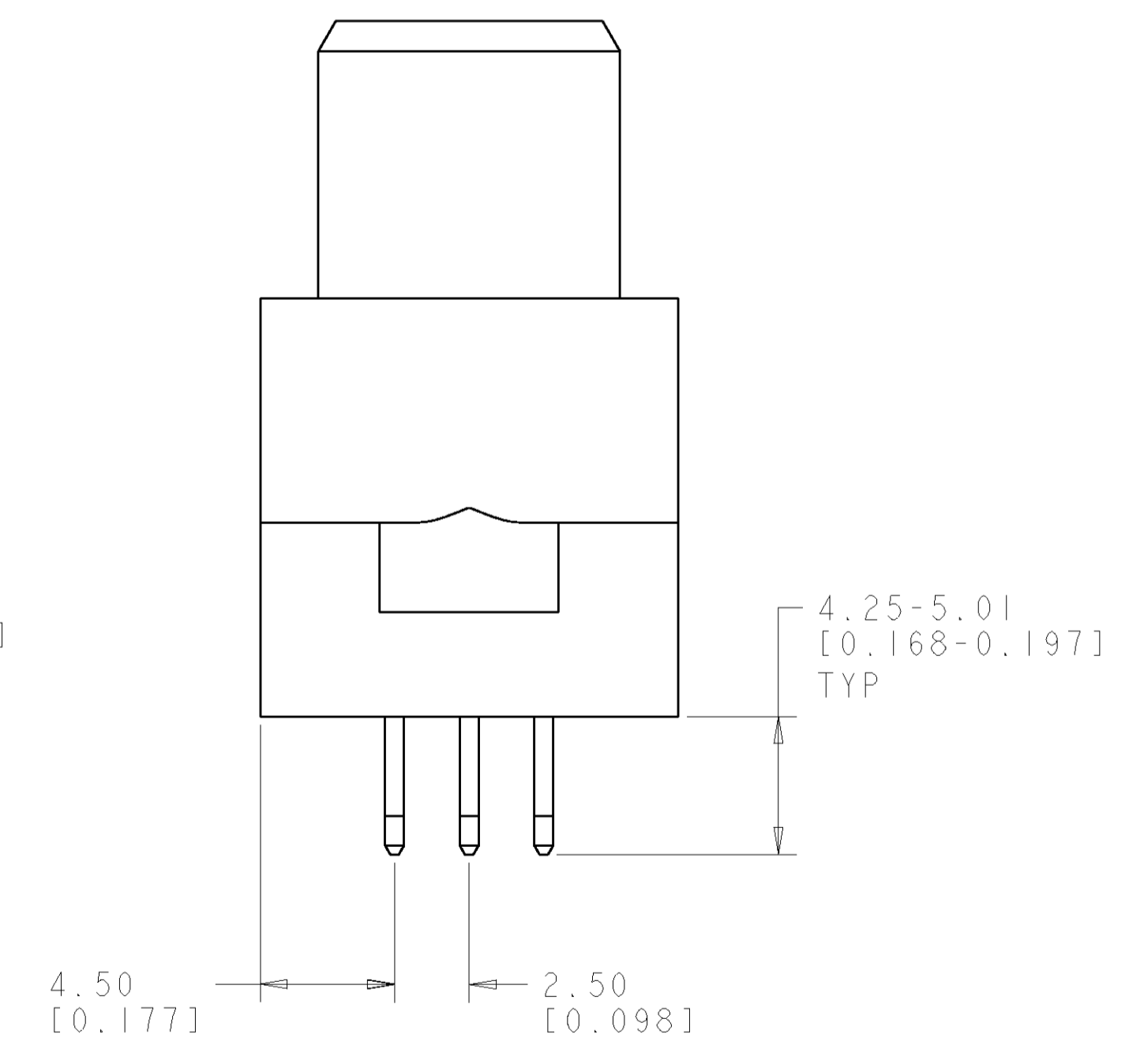
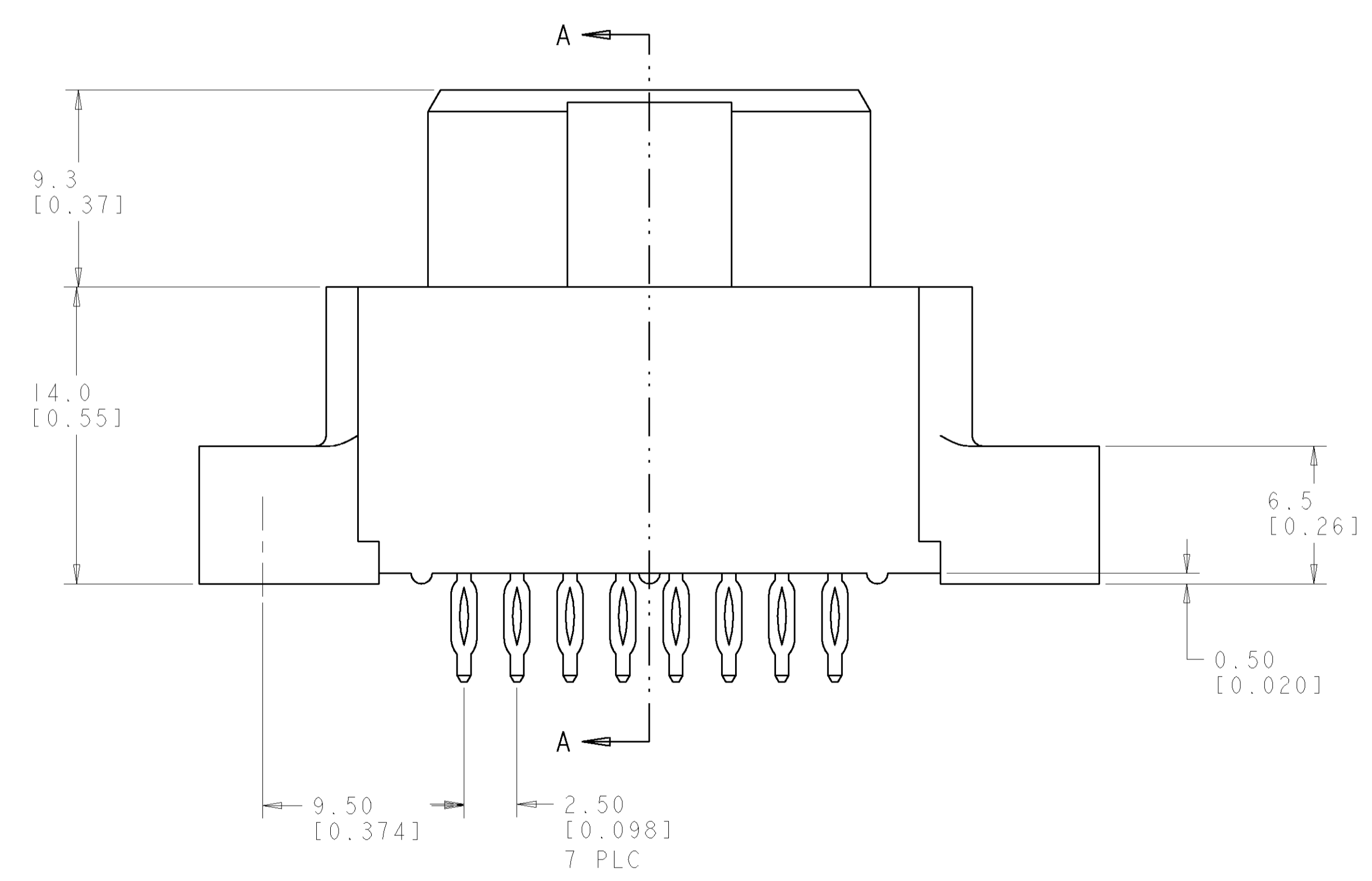
- PART NUMBER CHANGES AND OR DESIGN CHANGES AFFECTING ITEM INTERCHANGEABILITY REQUIRE PRIOR TYCO APPROVAL AND AUTHORIZATION BY REVISION TO THIS DRAWING.
- MATERIAL:
INSULATORS - THERMOPLASTIC, GLASS REINFORCED, COLOR: BLACK, UL94V-0 FLAMMABILITY RATED.
SOLDER SIGNAL PINS-BRASS ALLOY
- FINISH:
CONTACTS - GOLD PLATE .000030 INCH MIN. THK., OVER NICKEL .000050 INCH MIN. THK
SOLDER TAILS, TIN .000040 INCH MIN. THK.
OVER NICKEL .000050 MIN THK.

△ ITEMS PROVIDED TO THIS SPECIFICATION TO BE PERMANENTLY IDENTIFIED PER THE FOLLOWING IDENTIFIER LABEL

YEAR 1 WEEK

TYCO PART NO. DATE CODE (e.g. 0106)
 XXXXXXXX-X XXXX

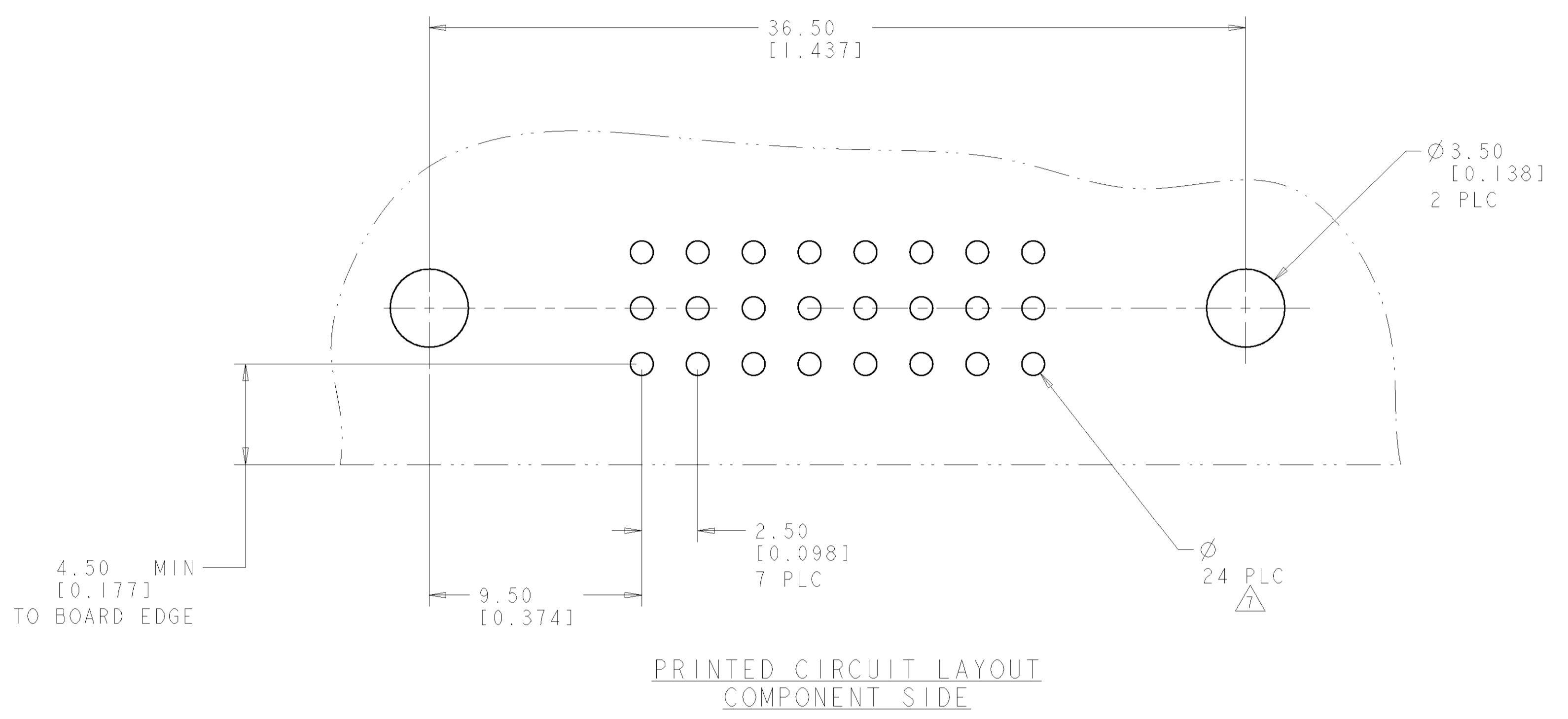
- MOUNTING FLANGE ACCEPTS M3 OR #4-40 SCREWS. (USER SUPPLIED)



AS SHOWN	6646315-1
DESCRIPTION	PART NUMBER

DIMENSIONS: mm [INCHES] TOLERANCES UNLESS OTHERWISE SPECIFIED: 0 PLC ± .3 1 PLC ± 0.3 2 PLC ± 0.15 3 PLC ± . 4 PLC ± . ANGLES ± .5		DWN: B. GRZYBOWSKI 25JULY06 CHK: D. ORRIS 25JULY06 APVD: S. FLICKINGER 25JULY06 PRODUCT SPEC: - APPLICATION SPEC: - WEIGHT: - CUSTOMER DRAWING	Tyco Electronics Harrisburg, PA 17105-3608 NAME: STRAIGHT SOCKET CONNECTOR COMPLIANT TAIL SIZE: A 00779 C=6646315 SCALE: 3:1 SHEET 1 OF 3 REV B
---	--	--	---

LOC	DIST	REVISIONS			
P	LTR	DESCRIPTION	DATE	DWN	APVD
GP	00	SEE SHEET 1	-	-	-

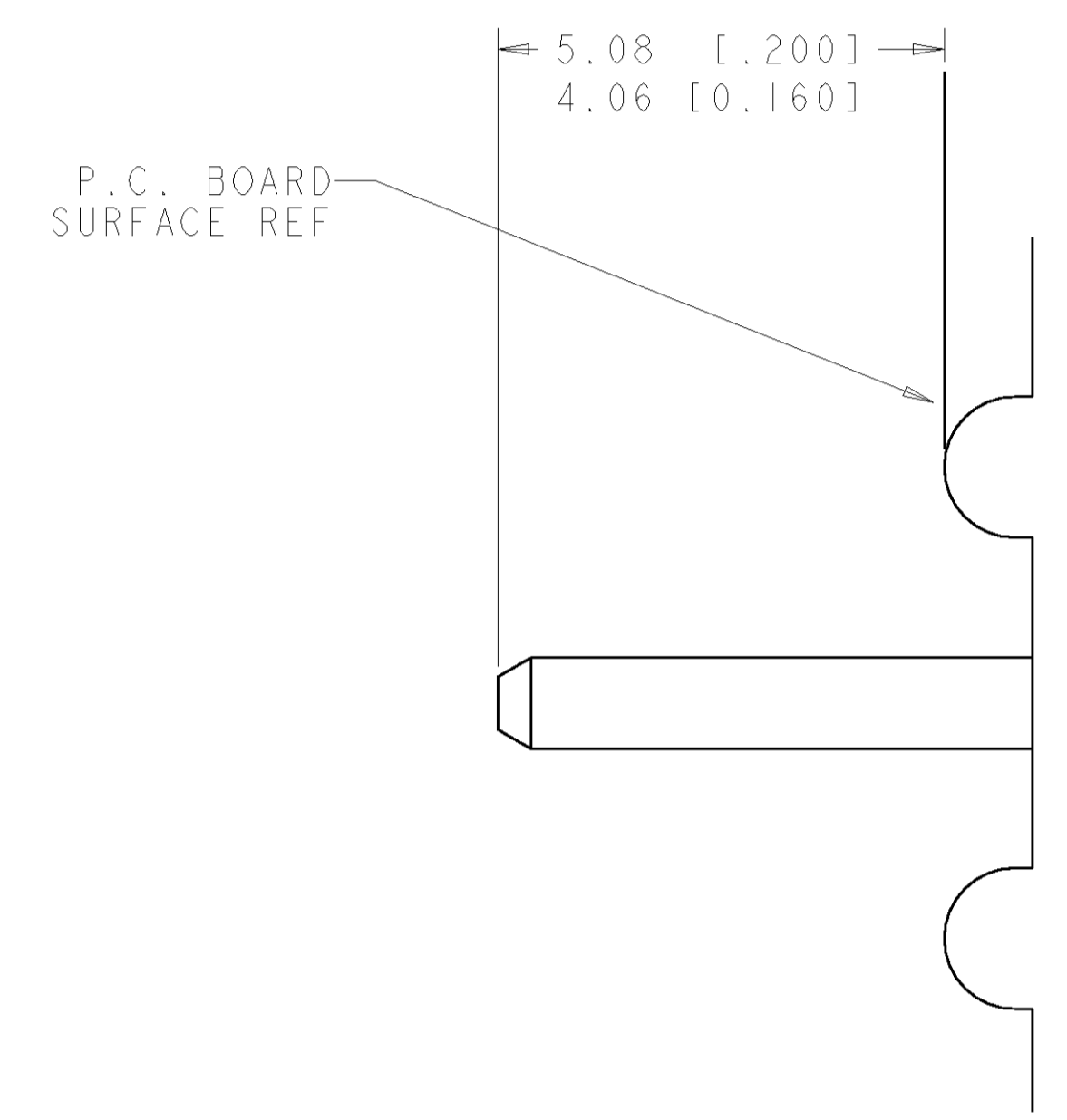


CONNECTOR	EQUIVALENT CATALOG MODULE #	MODULE QTY	CONTACT QTY	SIZE NO.	MATING PIN	MAX. CURRENT (PER CONTACT)	CONTACT SPACING	VOLTAGE RATING
PIN	FP418	1	24	22	.64 [.025] SQ.	3 amps	2.50 [.0984]	125 VOLTS
	FP500	1	-	LEFT MOUNTING FLANGE				
	FP501	1	-	RIGHT MOUNTING FLANGE				

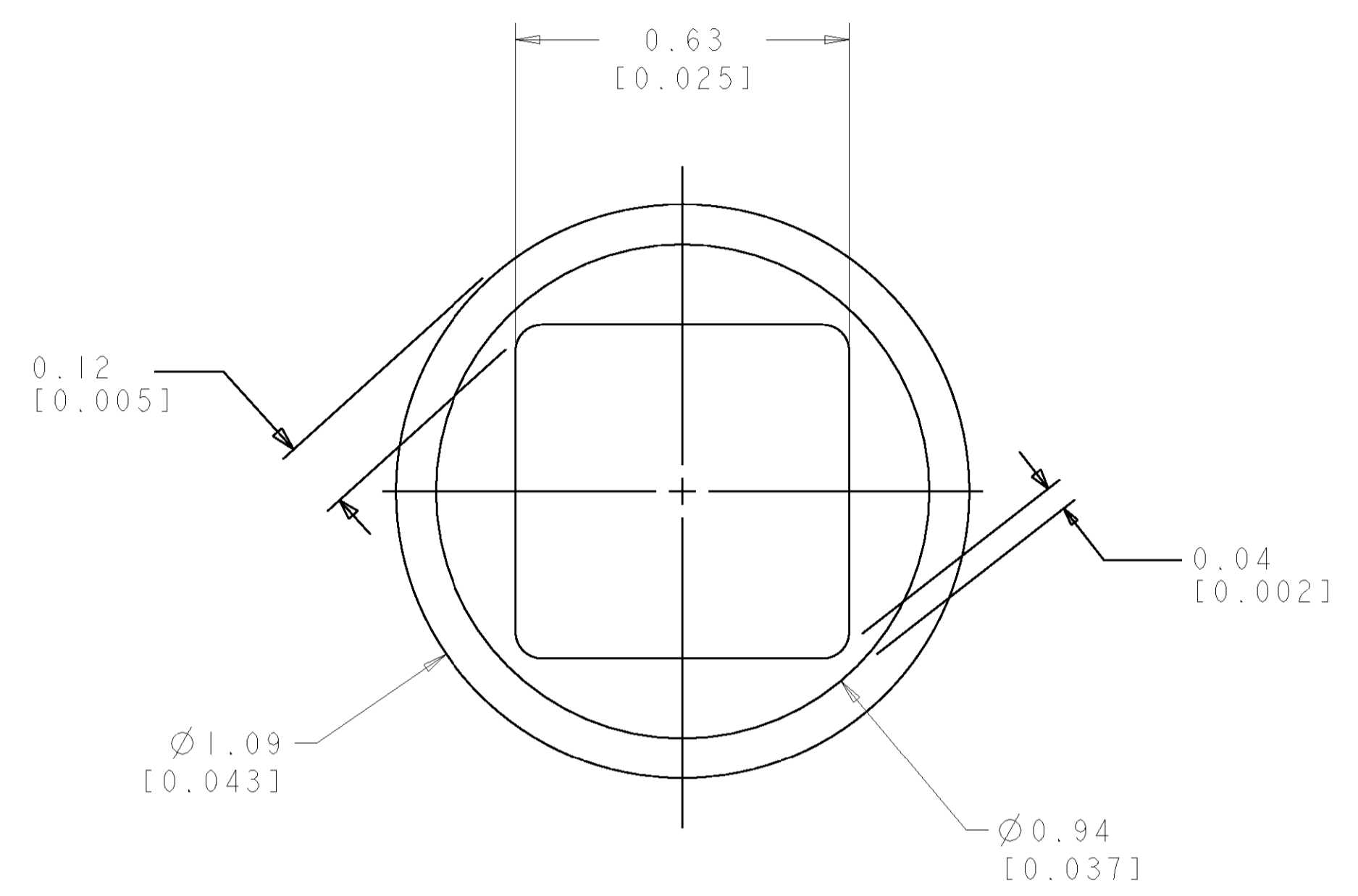
<small>THE INFORMATION CONTAINED HEREIN IS UNCLASSIFIED EXCEPT WHERE SHOWN OTHERWISE. IT IS SUBJECT TO CHANGE AND THE USER ASSUMES ALL RESPONSIBILITY FOR THE CURRENT POSITION.</small>		DWN: B. GRZYBOWSKI 25JULY06 ENR: D. ORRIS 25JULY06 APVD: S. FLICKINGER 25JULY06	tyco Electronics Tyco Electronics Harrisburg, PA 17105-3608
DIMENSIONS: mm [INCHES]	TOLERANCES UNLESS OTHERWISE SPECIFIED: 0 PLC ± 1 PLC ±0.3 2 PLC ±0.15 3 PLC ± 4 PLC ± ANGLES ± 5	PRODUCT SPEC APPLICATION SPEC WEIGHT CUSTOMER DRAWING	NAME: STRAIGHT SOCKET CONNECTOR COMPLIANT TAIL SIZE: A 00779 C=6646315 SCALE: 3:1 SHEET 2 OF 3 REV B

ELCON **FLATPAQ**

LOC	DIST	REVISIONS			
P	LTR	DESCRIPTION	DATE	DWN	APVD
-	-	SEE SHEET 1	-	-	-



6. COMPLIANT PIN DETAIL
SCALE 10:1



△ SOLDER TERMINATION AREA
 SCALE 40:1
 RECOMMENDED PRINTED CIRCUIT COMPLIANT HOLE
 FINISHED HOLE: Ø1.02 [.040] ±.008 [.0003]
 DRILLED HOLE: Ø1.15 [.0453] ±.013 [.0005]
 COPPER PLATE: .025 [.0010] MIN
 TIN PLATE: .008 [.0003] MIN. (PER SURFACE)

ELCON FLATPAQ

<small>THIS DRAWING IS UNPUBLISHED. RELEASED FOR PUBLICATION BY TICO ELECTRONICS CORPORATION. ALL RIGHTS RESERVED.</small>		DWN: B. GRZYBOWSKI 25JULY06 CHK: D. ORRIS 25JULY06 APVD: S. FLICKINGER 25JULY06	Tyco Electronics Harrisburg, PA 17105-3608
DIMENSIONS: mm [INCHES]	TOLERANCES UNLESS OTHERWISE SPECIFIED: 0 PLC ± 1 PLC ±0.3 2 PLC ±0.15 3 PLC ± 4 PLC ± ANGLES ± 5	PRODUCT SPEC APPLICATION SPEC WEIGHT CUSTOMER DRAWING	NAME: STRAIGHT SOCKET CONNECTOR COMPLIANT TAIL SIZE: CAGE CODE DRAWING NO: A100779C=6646315 RESTRICTED TO:
MATERIAL: - FINISH: -		SCALE: 3:1 SHEET 3 OF 3 REV B	SCALE: 3:1 SHEET 3 OF 3 REV B

单击下面可查看定价，库存，交付和生命周期等信息

[>>TE Connectivity\(泰科\)](#)