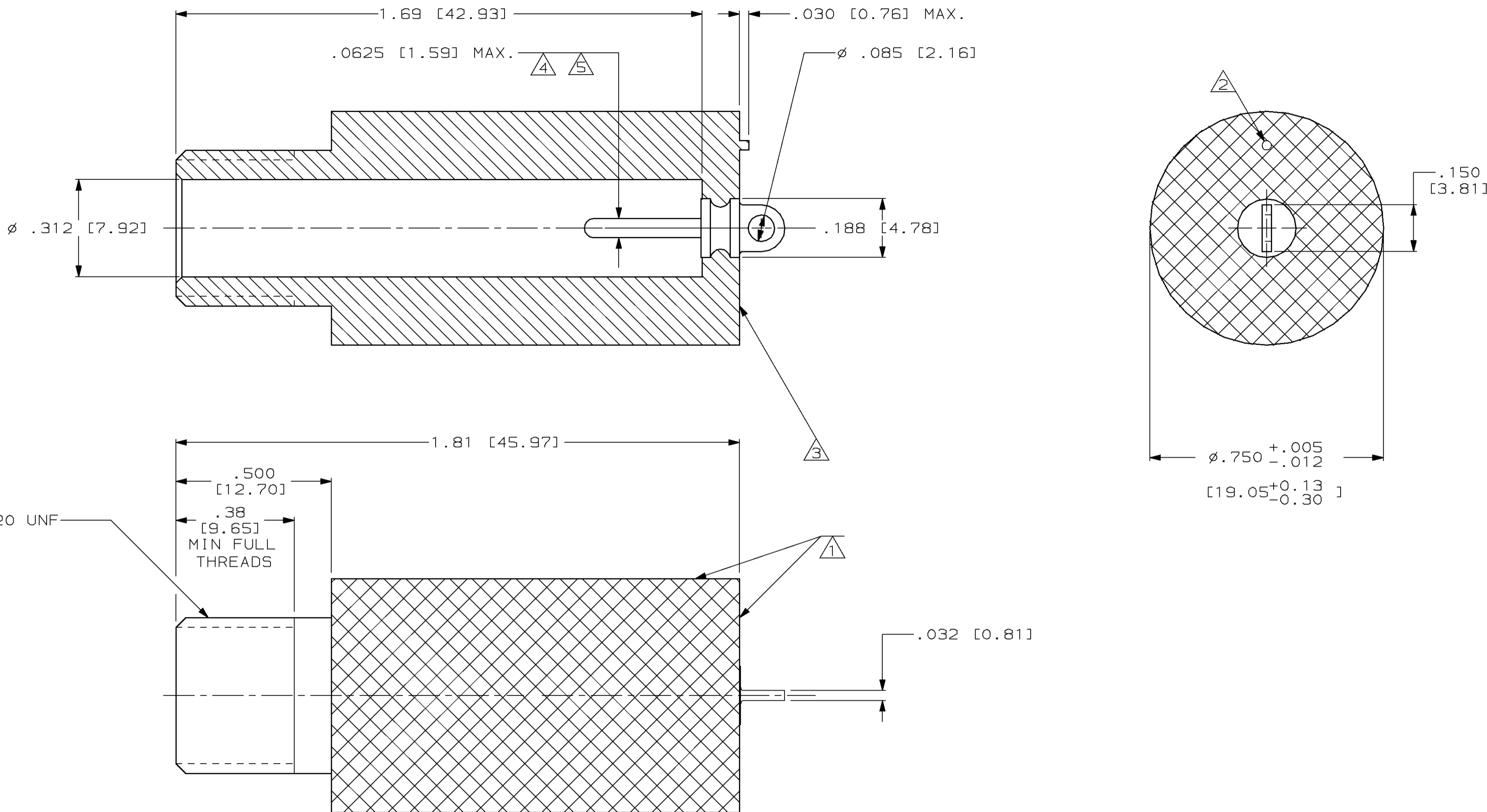


THIS DRAWING IS UNPUBLISHED. RELEASED FOR PUBLICATION .19 .
 © COPYRIGHT 19 BY AMP INCORPORATED. ALL INTERNATIONAL RIGHTS RESERVED.

PROD	LOC	DIST	REVISIONS				DATE	APPD
4087	DF	SO	ZONE	LTR	DESCRIPTION			
				F	REV PER 0600-5825-96	CT	10-96	SG



- ① .750 DIA AND REAR SURFACE SAND BLASTED TO PROMOTE ADHESION TO POTTING MATERIAL.
- ② GATE BREAK-OFF.
- ③ MOLDED GLASS FILLED EPOXY. COLOR: BLACK.
- ④ BRASS PER QQ-B-626.
- ⑤ FINISH: .000100 MIN. THK. TIN-PLATE, PER MIL-T-10727.

AS SHOWN	447305-1
NOTE	PART NO.

DO NOT SCALE PRINT. UNLESS SPECIFIED DIMENSIONS IN INCHES [mm] TOLERANCES ON : 2 PLC DEC ± .01 [0.25] 3 PLC DEC ± .005 [0.13] ANGLES ± -	DR	W.LEUFERT	6-14-90	AMP AMP INCORPORATED Harrisburg, Pa. 17105 ASSEMBLY, MODIFIED EYELET RECEPTACLE, LGH	
	CHK	D.EABY	7-19-90		
MATERIAL	APPD	D.EABY	7-19-90		
SEE CALLOUTS	APPD	D.EABY	7-19-90		
FINISH	PRODUCT SPEC	-	-	NAME	
SEE CALLOUTS	APPLICATION SPEC	-	-	SIZE	
	WEIGHT	-	-	CAGE CODE	00779
				DRAWING NO	447305
				SCALE	4:1
				SHEET	1 of 1

单击下面可查看定价，库存，交付和生命周期等信息

[>>TE Connectivity\(泰科\)](#)