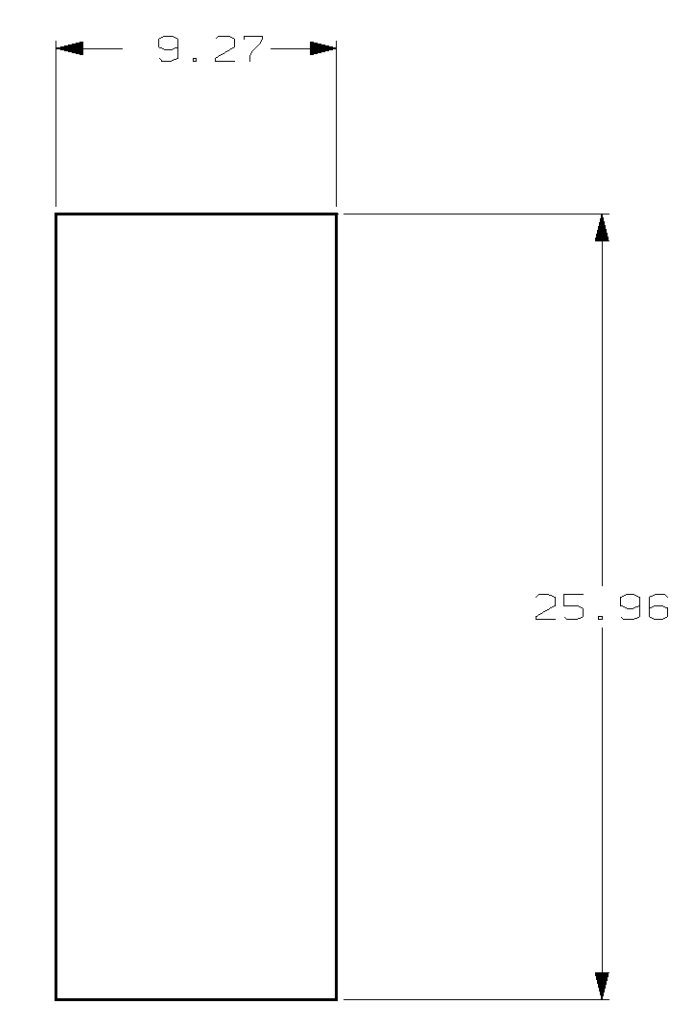
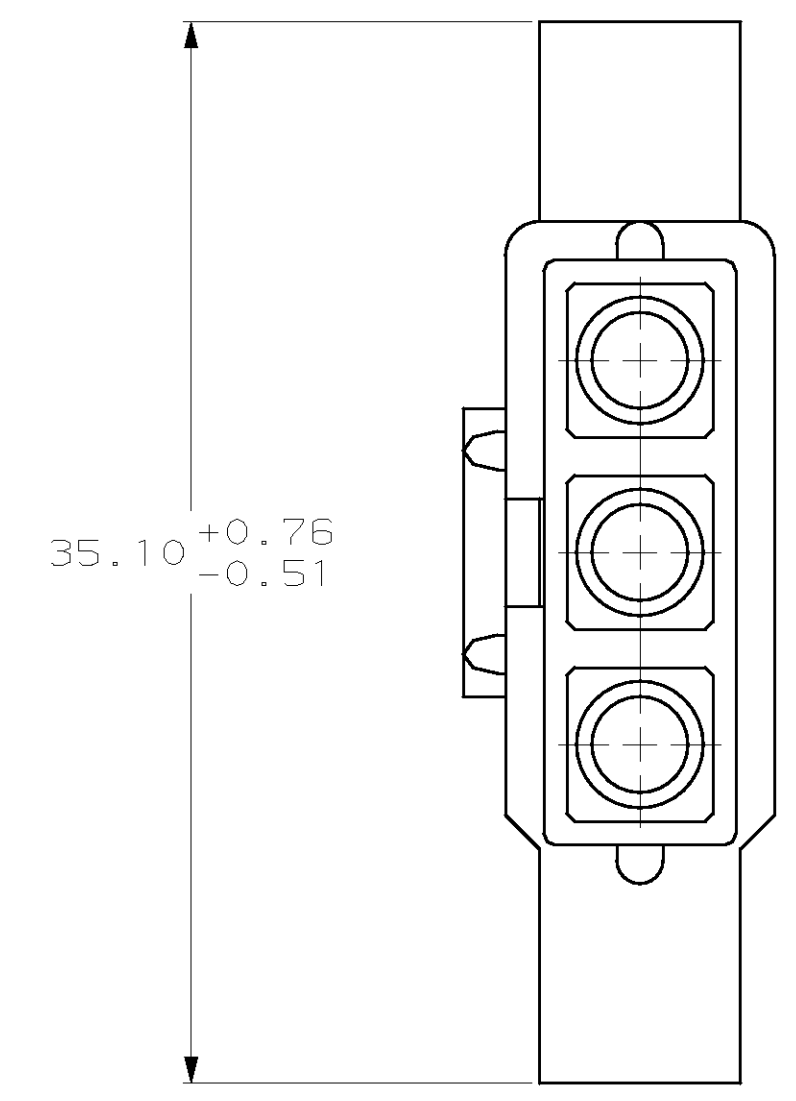
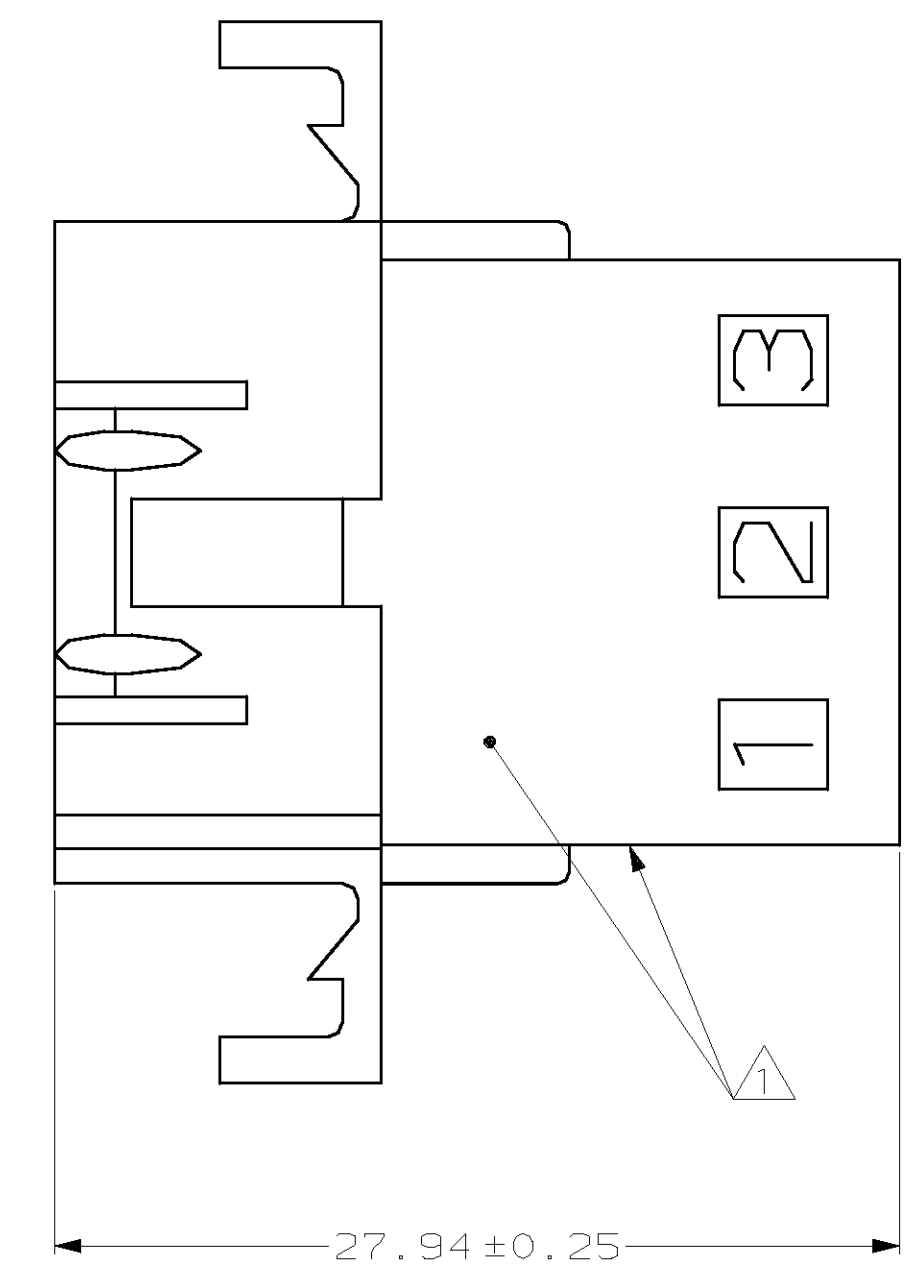
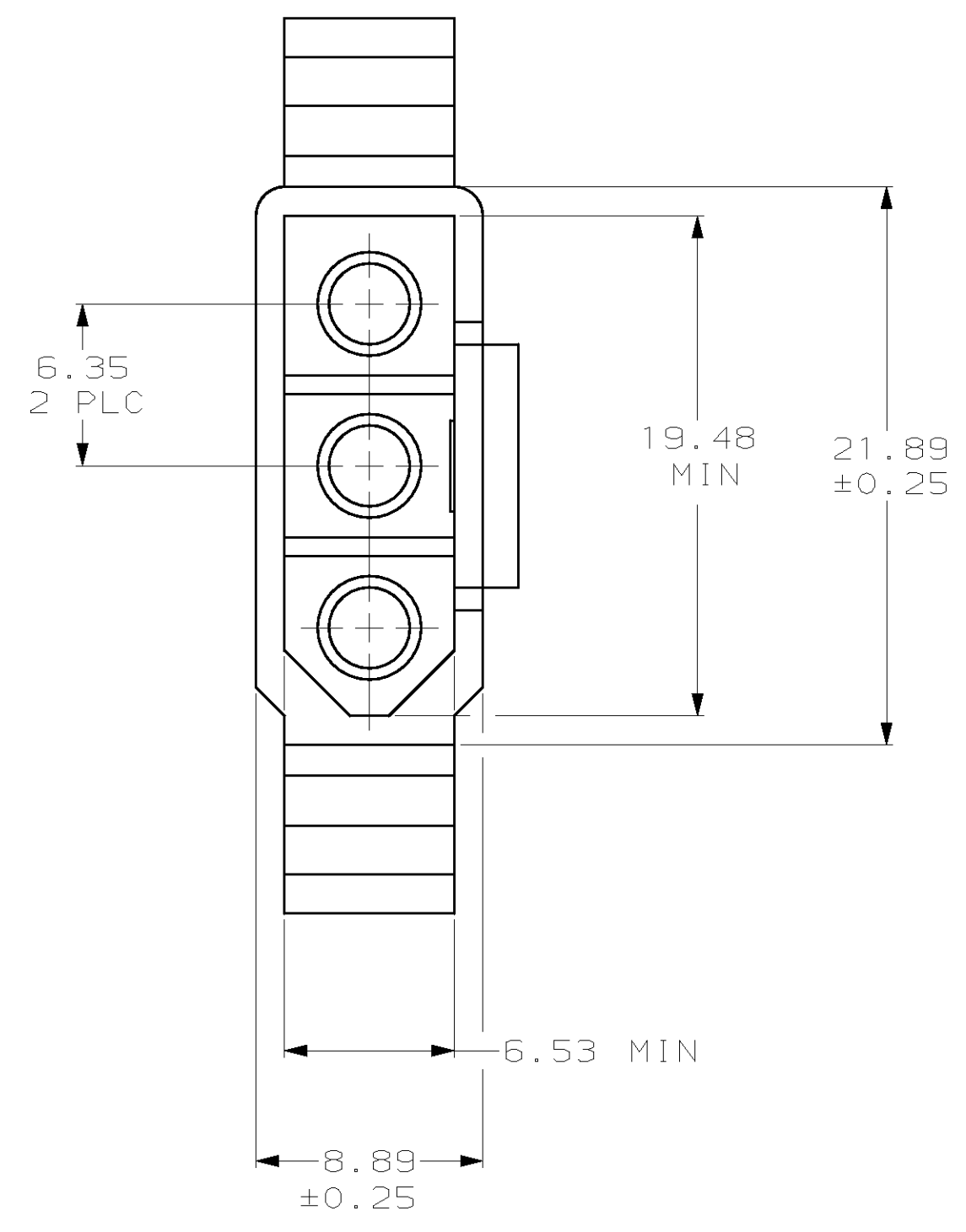
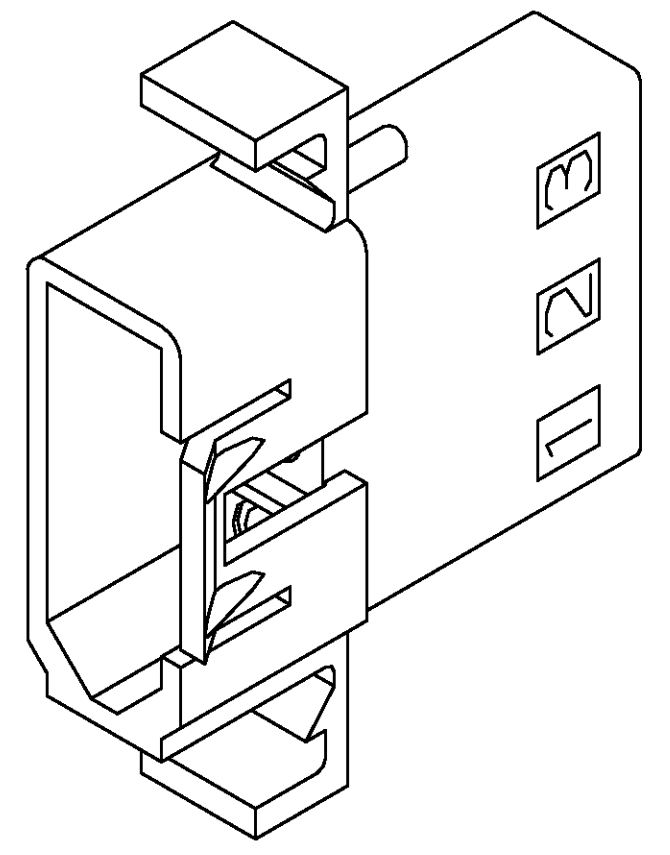


LOC	QTY	REV	DATE	BY	APPV
CM	53	E	11-19-97	KW	RS

△ AMP LOGO AND CAVITY NUMBERS LOCATED ON EITHER SURFACE, OPPOSITE SIDE OPTIONAL.



RECOMMENDED CUT OUT FOR 1.58 MAX THICK PANEL



MM	IN	MM	IN
6.53	.257	35.10	1.382
6.35	.250	27.94	1.100
1.58	.062	25.96	1.022
0.76	.030	21.89	.862
0.51	.020	19.48	.767
0.25	.010	9.27	.365
0.13	.005	8.89	.350
MM	IN	MM	IN

CONVERSION TABLE

770338-1
PART NUMBER

METRIC

THIS DRAWING IS A CONTROLLED DOCUMENT.

DIMENSIONS:	TOLERANCES UNLESS OTHERWISE SPECIFIED:	DWN: K. WHITAKER 11-19-97	AMP Incorporated Harrisburg, PA 17105-3608
mm	0.13	CHK: R. SWING 11-19-97	AMP
0.13	0.005	APVD: K. COBLE 11-19-97	PLUG, PANEL MOUNT, 3 CIRCUIT, .250 PIN AND SOCKET
MATERIAL: NYLON, JL 94V-2, NATURAL	FINISH: -	HEIGHT: -	SIZE: A1 007799 C-770338
CUSTOMER DRAWING		SCALE: 4:1	SHEET 1 OF 1 REV F

单击下面可查看定价，库存，交付和生命周期等信息

[>>TE Connectivity\(泰科\)](#)