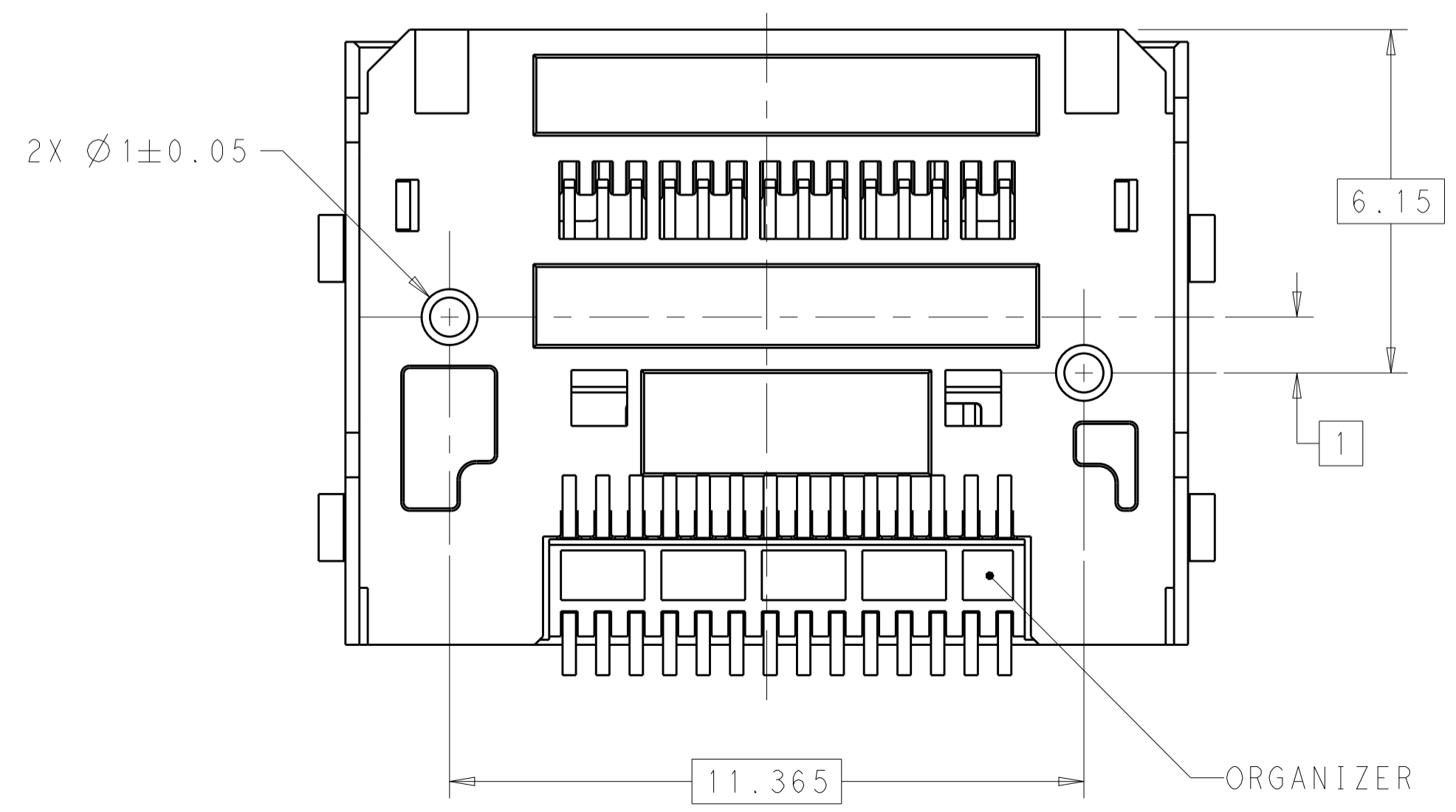
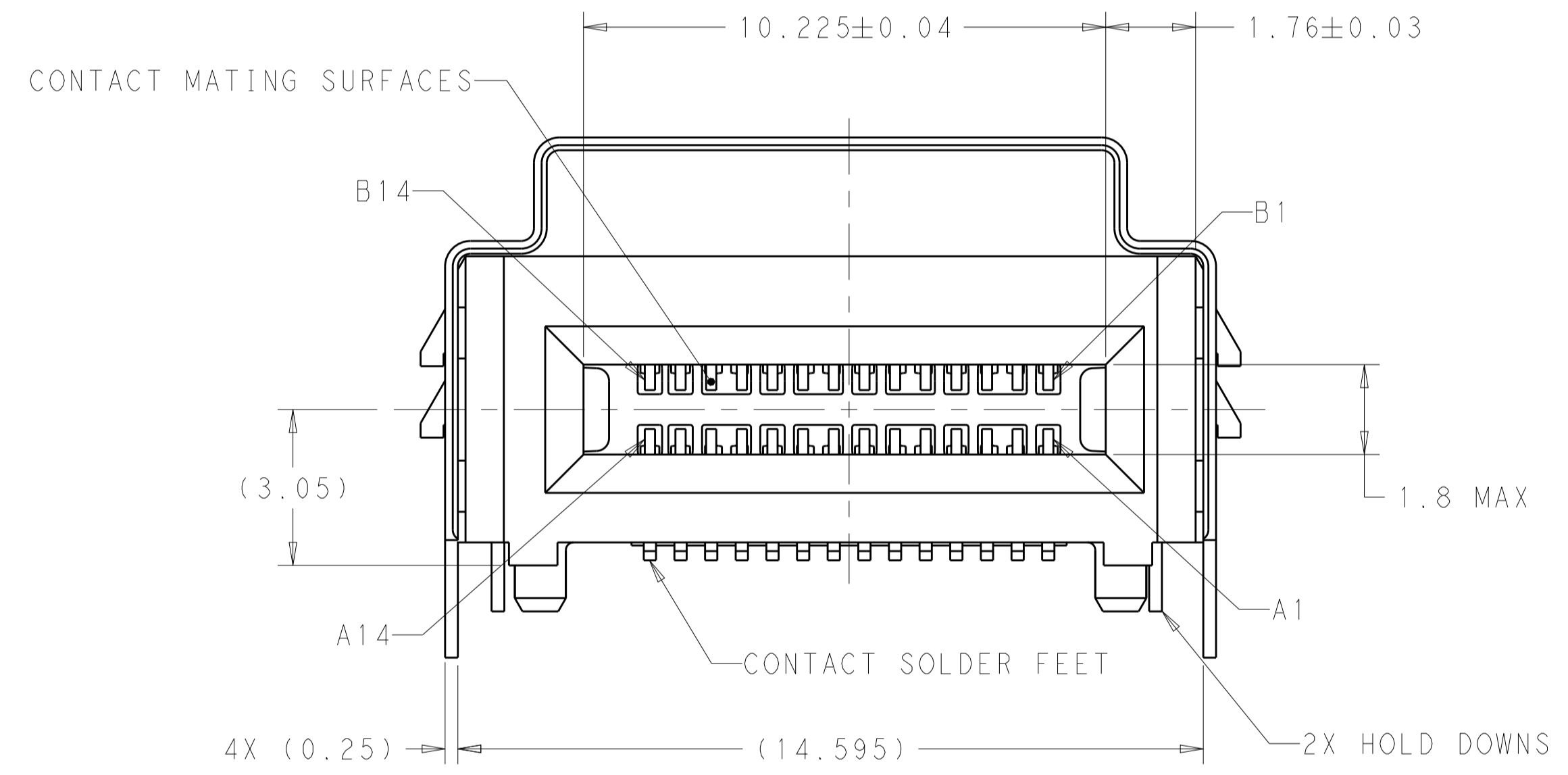
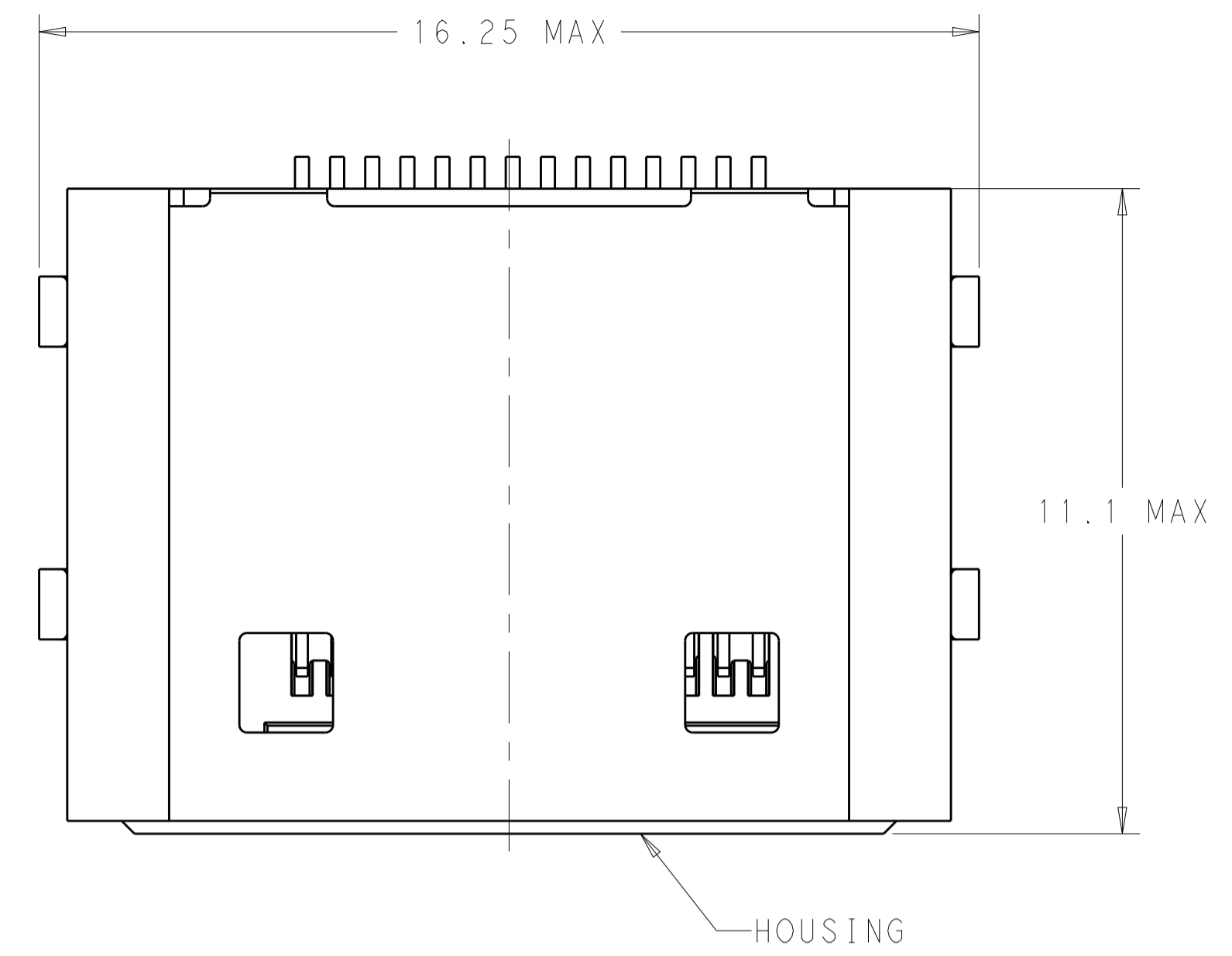
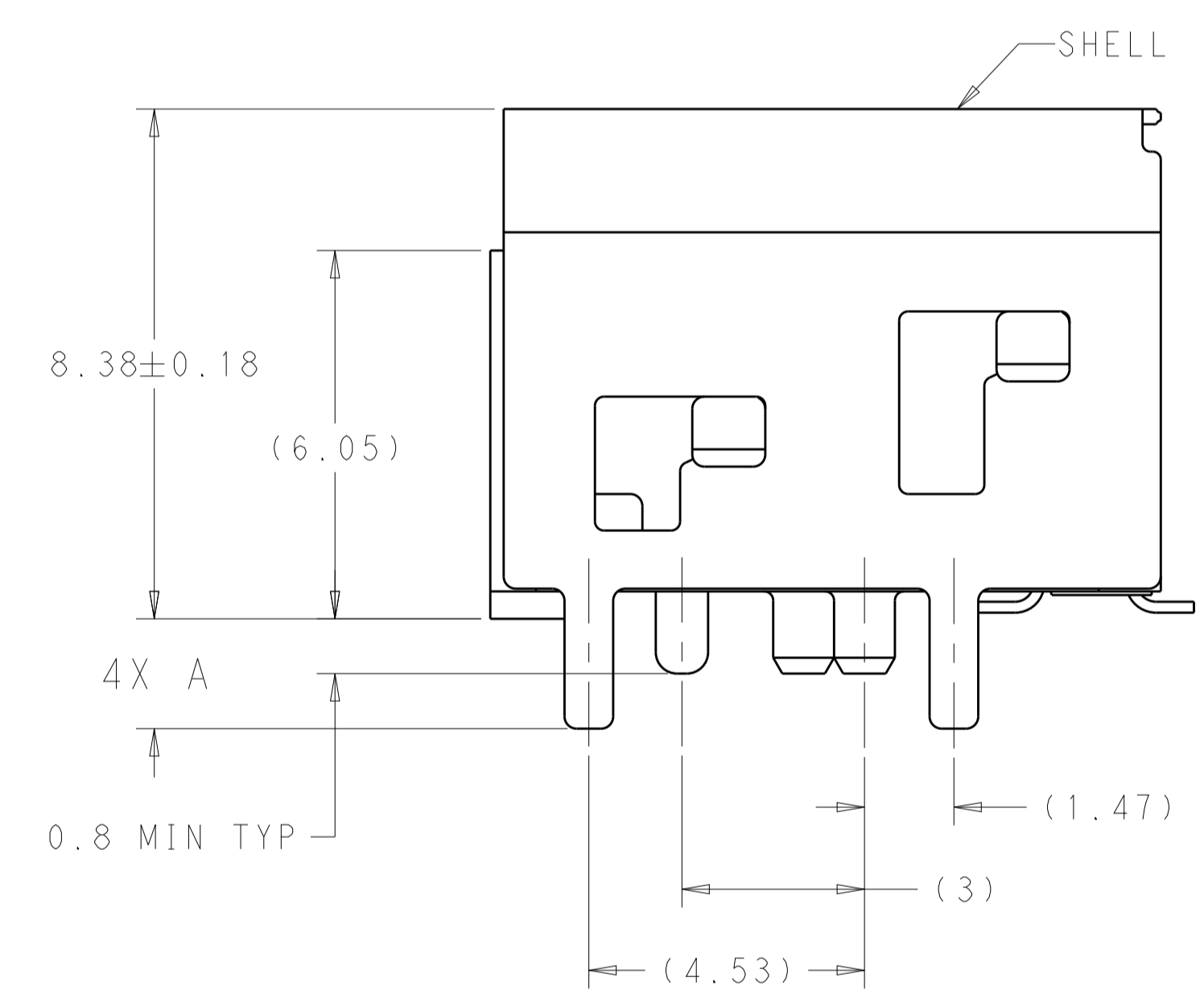


REVISIONS					
P	LTN	DESCRIPTION	DATE	DWN	APVD
A		RELEASED PER ECO-19-014774	26SEP2019	CJV	JW



- 1 HOUSING, ORGANIZER AND CONTACT OVERMOLDS - LCP, UL94V-0, BLACK. CONTACTS AND HOLD DOWNS - COPPER ALLOY.
- 2 CONTACTS - GOLD PLATE ON MATING SURFACES, TIN PLATE ON SOLDER FEET. HOLD DOWNS - TIN PLATE. SHELL - NICKEL PLATE, TIN PLATE ON HOLD DOWNS.
- 3 DATUMS AND BASIC DIMENSIONS ESTABLISHED BY CUSTOMER.
- 4. MINIMUM HOST PCB THICKNESS: 1.5.
- 5 SEE MSA SPECIFICATION FOR ADDITIONAL PADDLE CARD LAYOUTS COMPATIBLE WITH THIS RECEPTACLE AND FOR OPTIONAL SPLIT CONTACT PAD LAYOUTS FOR THE PADDLE CARD. SPECIFICATION PINOUT MAY ALSO DESIGNATE PAD SEQUENCE DIFFERENT FROM ILLUSTRATION.
- 6 POSITIONS DESIGNATED AS "SIGNAL" ARE REQUIRED LOCATIONS FOR HIGH SPEED DIFFERENTIAL PAIR SIGNALING. THESE LOCATIONS MAY ALSO BE USED FOR SUPPORTING SIDEBAND SIGNALS OR OTHER UTILITY PURPOSES. POSITIONS DESIGNATED AS "GROUND" ARE REQUIRED WHEN SUPPORTING HIGH SPEED DIFFERENTIAL SIGNALS. THESE LOCATIONS MAY ALSO BE USED FOR SIDEBAND SIGNALS OR OTHER UTILITY PURPOSES.
- 7 RECOMMENDED COMPONENT KEEP OUT AREA.
- 8 RECOMMENDED COMPONENT AND TRACES KEEP OUT AREA.
- 9. TAPE AND REEL PACKAGED FOR PICK AND PLACE SMT PROCESSING.



1.2±0.2	0.76µm Au	24	300	200	1-2345808-6
	0.38µm Au			100	1-2345808-5
	FLASH Au/PdNi			50	1-2345808-4
1.8 +0.2/-0.1	0.76µm Au	24	300	200	1-2345808-3
	0.38µm Au			100	1-2345808-2
	FLASH Au/PdNi			50	1-2345808-1
1.2±0.2	0.76µm Au	20	350	200	2345808-6
	0.38µm Au			100	2345808-5
	FLASH Au/PdNi			50	2345808-4
1.8 +0.2/-0.1	0.76µm Au	20	350	200	2345808-3
	0.38µm Au			100	2345808-2
	FLASH Au/PdNi			50	2345808-1
A	PLATING	POCKET TAPE PITCH	REEL QUANTITY	MATING CYCLES	PART NUMBER

THIS DRAWING IS A CONTROLLED DOCUMENT. DWN: M. SHIRK, 25OCT2018  
 CHK: D. HARMON, 25OCT2018  
 APVD: D. HARMON, 25OCT2018

DIMENSIONS: mm. TOLERANCES UNLESS OTHERWISE SPECIFIED: 0 PLC ±, 1 PLC ±, 2 PLC ±, 3 PLC ±, 4 PLC ±, ANGLES ±.

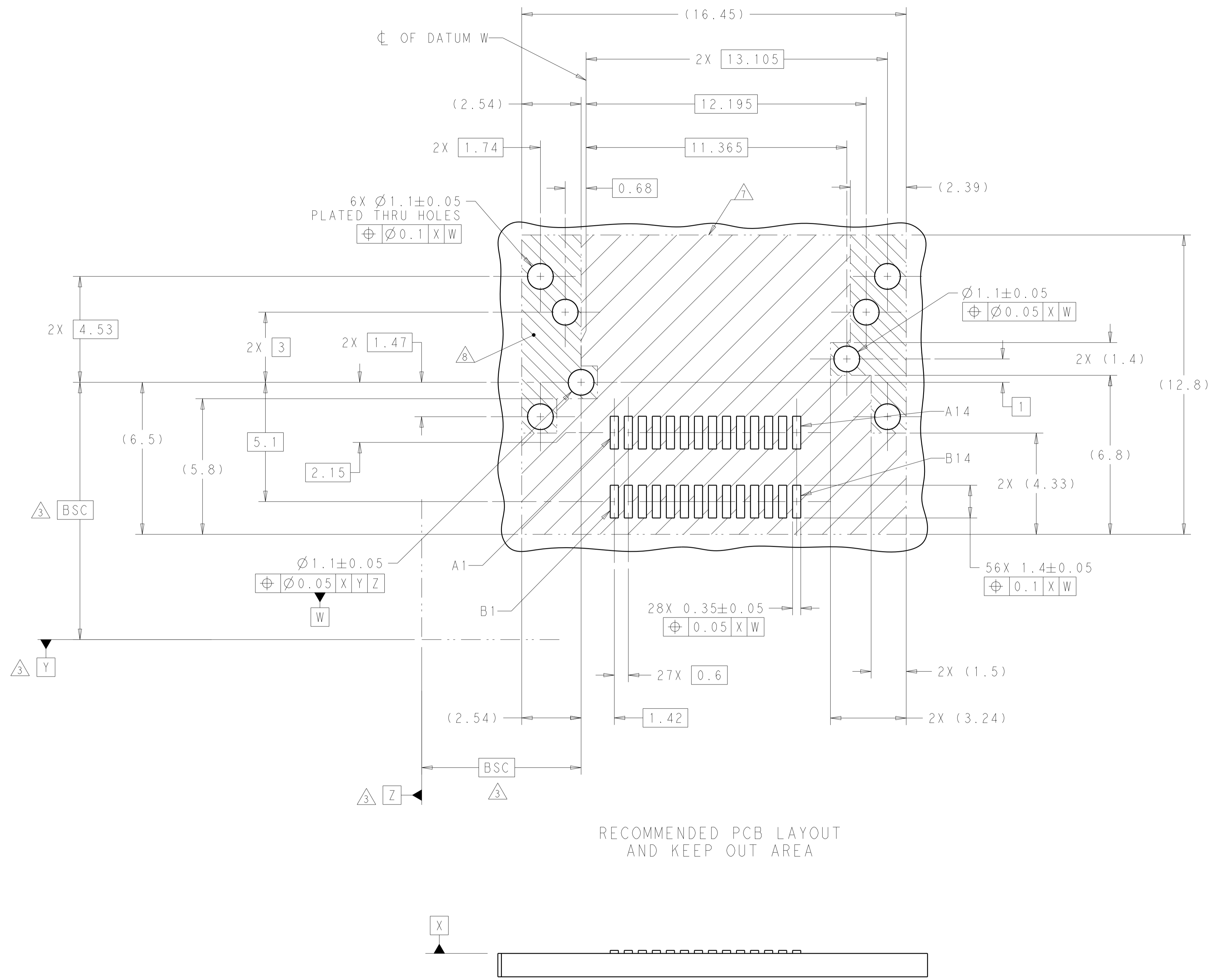
MATERIAL: FINISH: CUSTOMER DRAWING

NAME: RECEPTACLE ASSEMBLY, RIGHT ANGLE, 28 POSN, SLIVER 2.0  
 PRODUCT SPEC: 108-130021  
 APPLICATION SPEC: 114-130015

SIZE: A1. CAGE CODE: 00779. DRAWING NO: 2345808. RESTRICTED TO: A

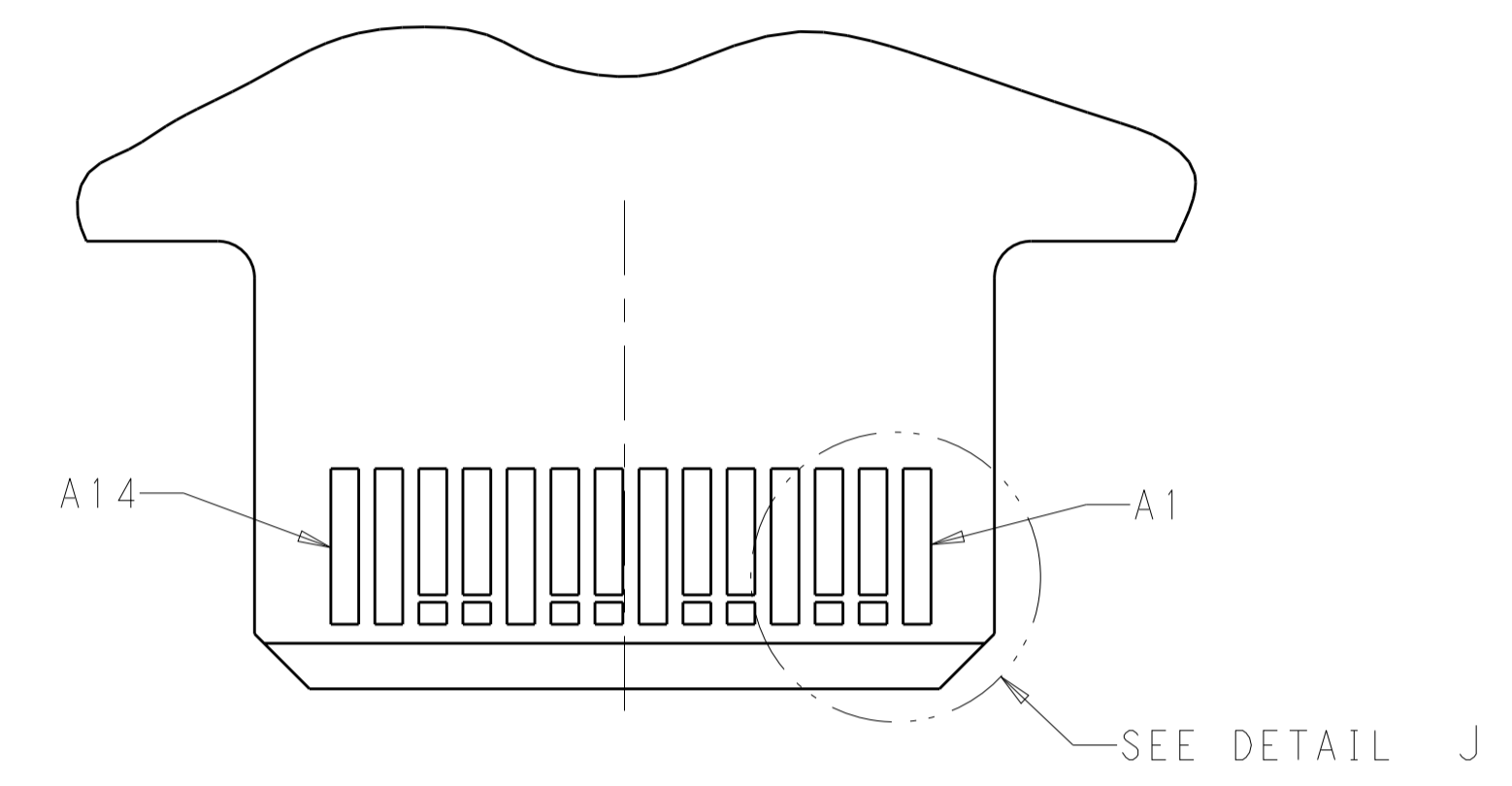
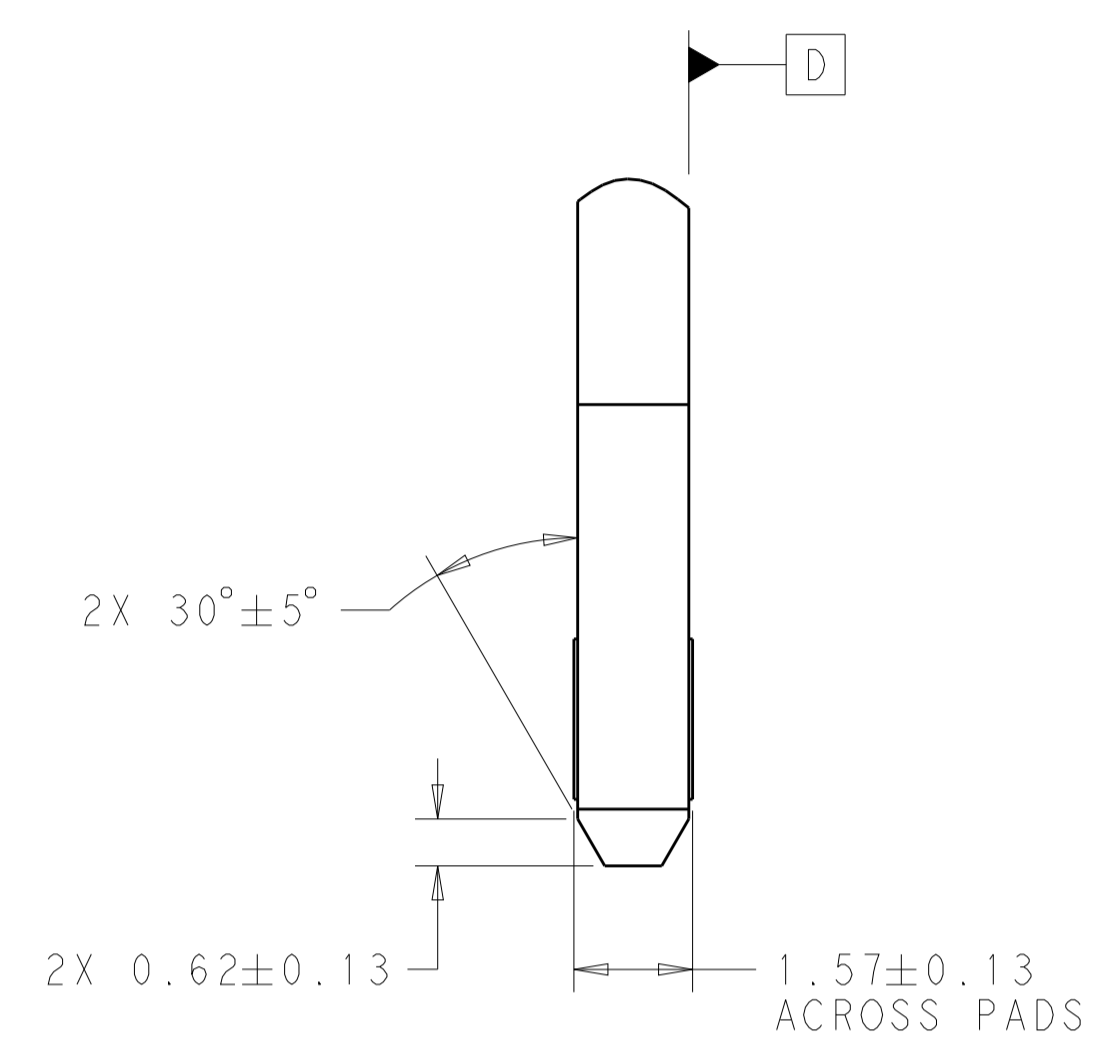
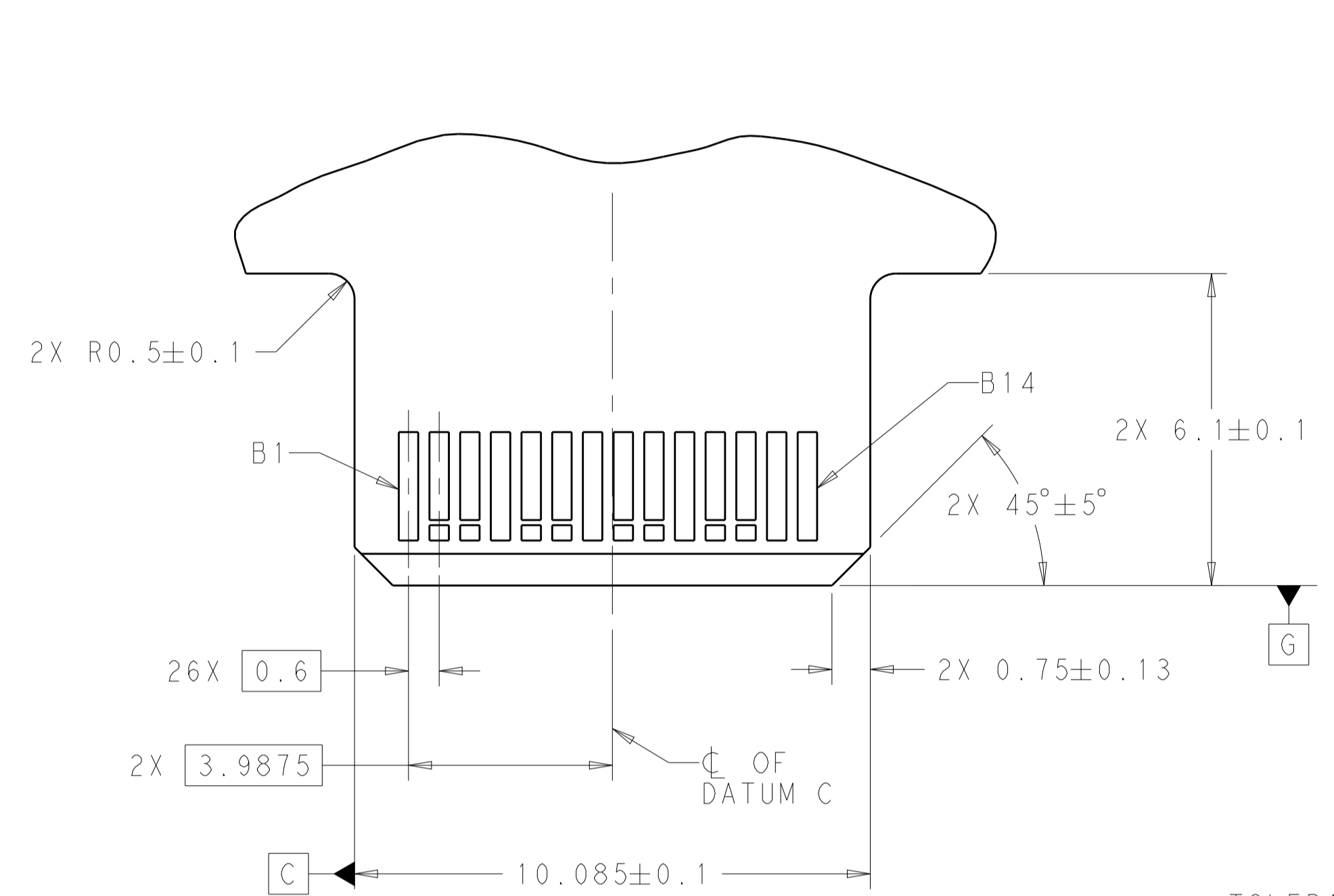
SCALE: 10:1. SHEET: 1 OF 3. REV: A

REVISIONS				
P.	LTN.	DESCRIPTION	DATE	APVD.
-	-	SEE SHEET 1	-	-



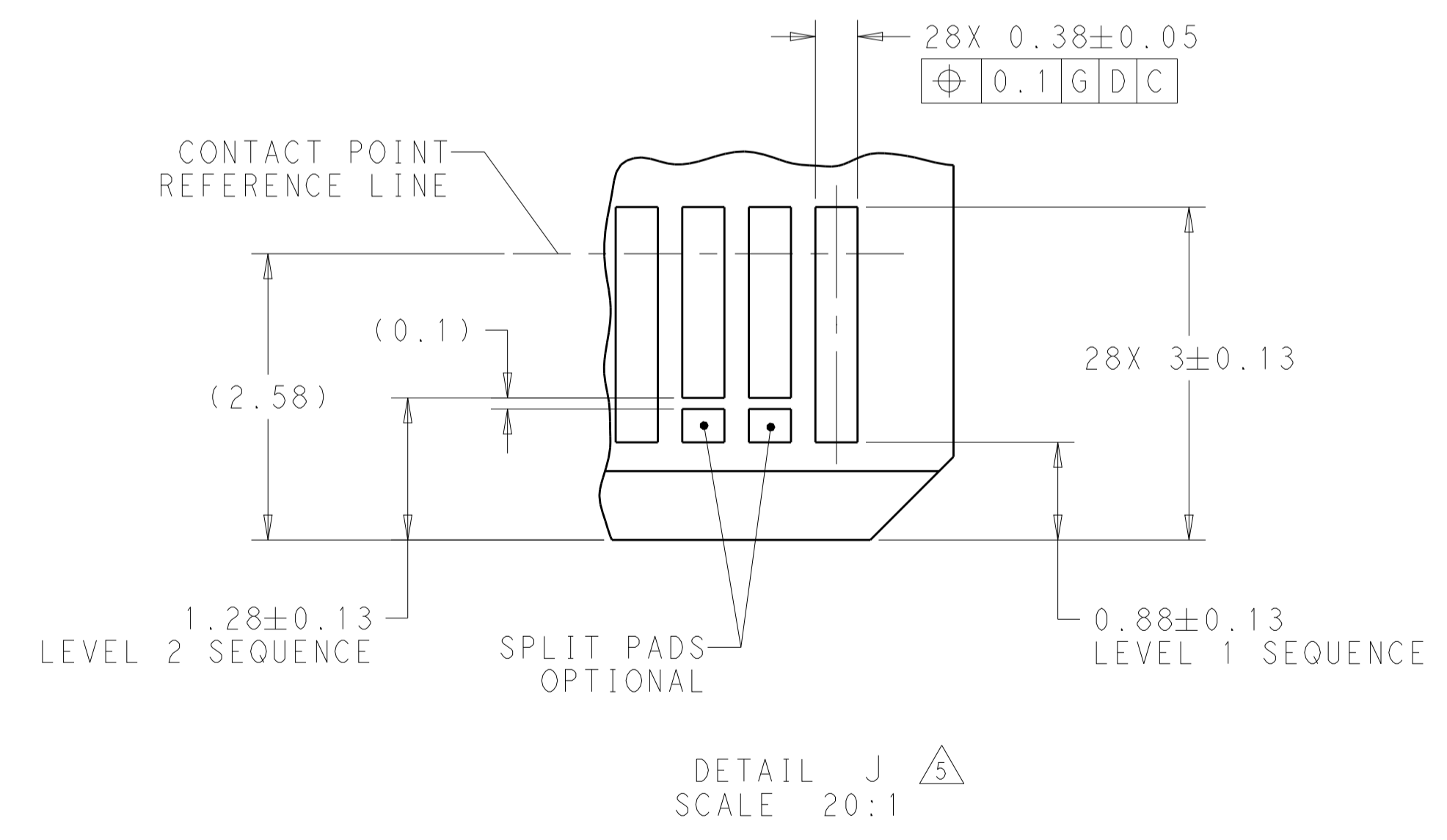
THIS DRAWING IS A CONTROLLED DOCUMENT.		DWN M. SHIRK 25OCT2018	<b>STE</b> TE Connectivity
DIMENSIONS:		CHK D. HARMON 25OCT2018	
mm	TOLERANCES UNLESS OTHERWISE SPECIFIED:	APVD D. HARMON 25OCT2018	NAME RECEPTACLE ASSEMBLY, RIGHT ANGLE, 28 POSN, SLIVER 2.0
0 PLC ±	1 PLC ±	PRODUCT SPEC	108-130021
2 PLC ±	3 PLC ±	APPLICATION SPEC	114-130015
4 PLC ±	ANGLES ±	WEIGHT	A100779C=2345808
MATERIAL	FINISH	CUSTOMER DRAWING	SCALE 10:1 SHEET 2 OF 3 REV A

REVISIONS				
P.	LTN.	DESCRIPTION	DATE	APVD.
-	-	SEE SHEET 1	-	-



RECOMMENDED PCB OUTLINE DIMENSIONS:  
 TOLERANCE VALUES ARE CRITICAL. PLEASE BE SURE TO DESIGNATE  
 TOLERANCES TO PCB SUPPLIER TO ENSURE OPTIMIZED FUNCTIONALITY.

CONTACT NUMBER	SIDE A	SIDE B
1	GROUND	GROUND
2	SIGNAL	SIGNAL
3	SIGNAL	SIGNAL
4	GROUND	GROUND
5	SIGNAL	SIGNAL
6	SIGNAL	SIGNAL
7	GROUND	GROUND
8	SIGNAL	SIGNAL
9	SIGNAL	SIGNAL
10	GROUND	GROUND
11	SIGNAL	SIGNAL
12	SIGNAL	SIGNAL
13	GROUND	GROUND
14	GROUND	GROUND



CONNECTOR CONTACT IDENTIFICATION

THIS DRAWING IS A CONTROLLED DOCUMENT.		DWN: M. SHIRK 25OCT2018 CHK: D. HARMON 25OCT2018 APVD: D. HARMON 25OCT2018	TE Connectivity
DIMENSIONS: mm 	TOLERANCES UNLESS OTHERWISE SPECIFIED: 0 PLC ±: 1 PLC ±: 2 PLC ±: 3 PLC ±: 4 PLC ±: ANGLES ±: FINISH ±:	NAME: RECEPTACLE ASSEMBLY, RIGHT ANGLE, 28 POSN, SLIVER 2.0 PRODUCT SPEC: 108-130021 APPLICATION SPEC: 114-130015 WEIGHT: - CUSTOMER DRAWING	

单击下面可查看定价，库存，交付和生命周期等信息

[>>TE Connectivity\(泰科\)](#)