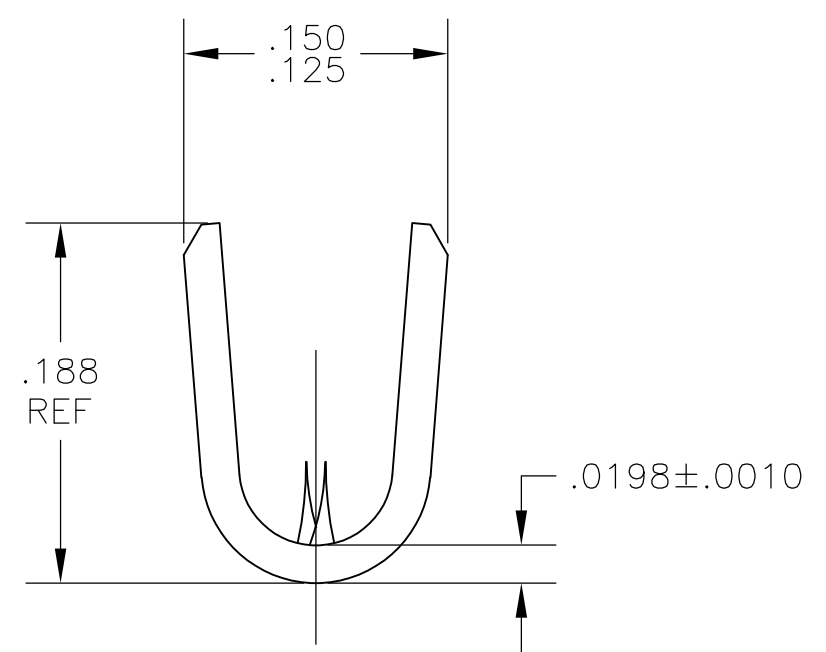
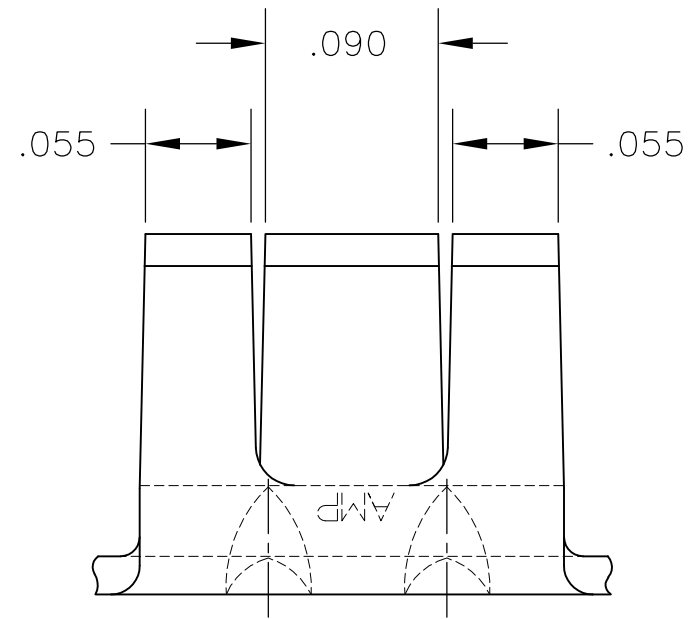
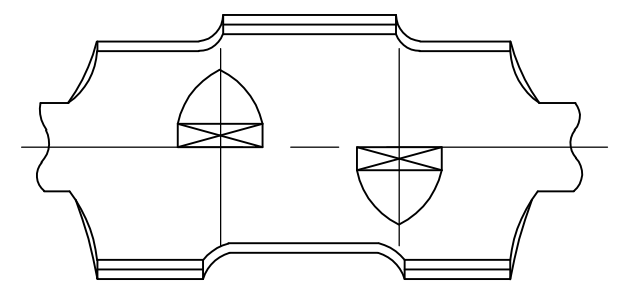


THIS DRAWING IS UNPUBLISHED. RELEASED FOR PUBLICATION
 © COPYRIGHT BY TYCO ELECTRONICS CORPORATION. ALL RIGHTS RESERVED.

LOC	DIST	REVISIONS					
AF	50	P	LTR	DESCRIPTION	DATE	DWN	APVD
		B2		REVISED PER ECR-08-010099	30APR08	DML	DML

- 1 PRODUCT PROVIDED IN STRIP FORM ON REELS; BREAKS MAY BE PRESENT.
- 2 WIRE RANGE: #20 TO #16 AWG
- 3 INSULATION RANGE: .070 - .090 DIA.



40771
PART NO

THIS DRAWING IS A CONTROLLED DOCUMENT.		DWN RAGHAVENDRA 05JUL07	Tyco Electronics Corporation Harrisburg, PA 17105-3608	
DIMENSIONS: INCHES	TOLERANCES UNLESS OTHERWISE SPECIFIED:	CHK G.D.PORTA 05JUL07	NAME SPLICE INSULATION PIERCING	
	0 PLC ± -	APVD G.D.PORTA 05JUL07	PRODUCT SPEC	
	1 PLC ± -		APPLICATION SPEC	
	2 PLC ± -		SIZE	CAGE CODE
	3 PLC ± .010		A3	00779
	4 PLC ± -		DRAWING NO	C-40771
	ANGLES ± -		RESTRICTED TO	-
MATERIAL BRASS	FINISH TIN	WEIGHT -	CUSTOMER DRAWING	
		SCALE	10:1	SHEET 1 OF 1
		REV	B2	

单击下面可查看定价，库存，交付和生命周期等信息

[>>TE Connectivity\(泰科\)](#)