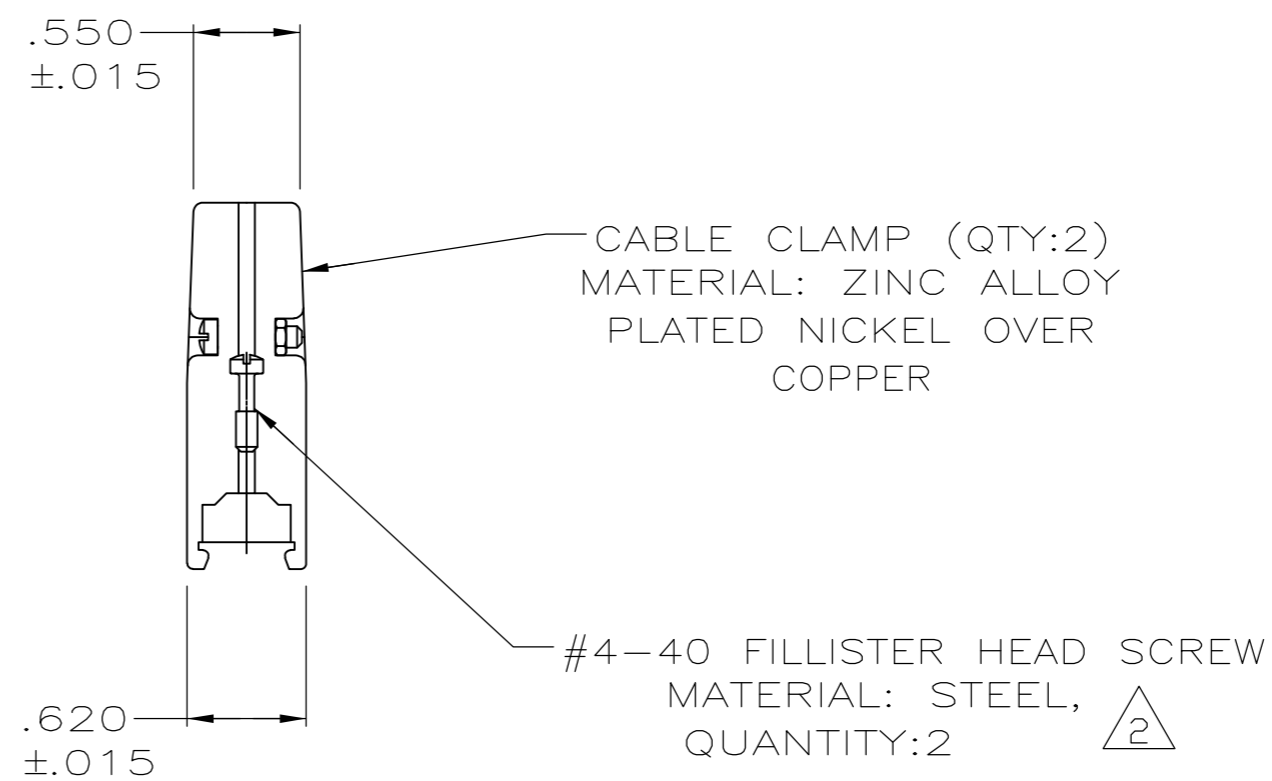
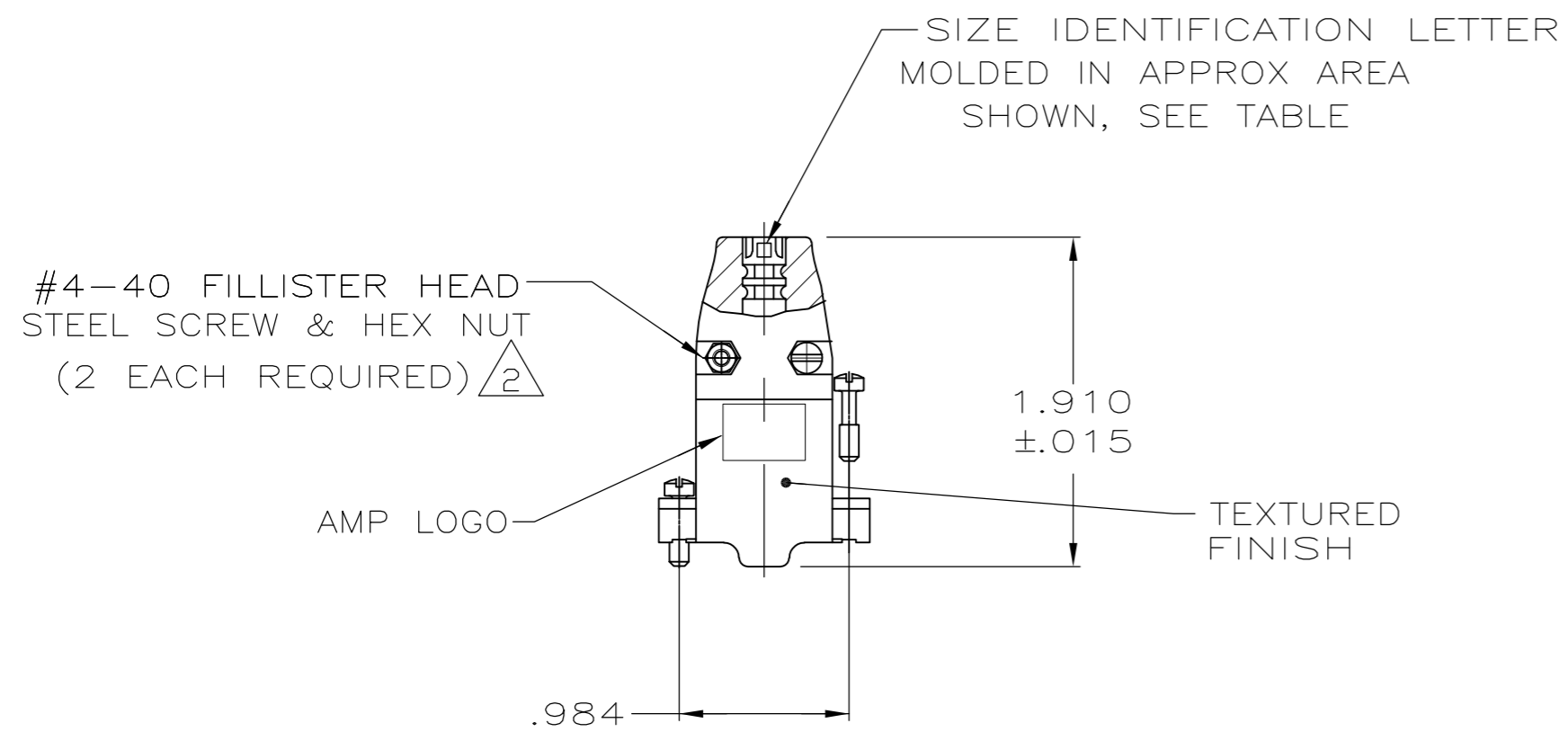
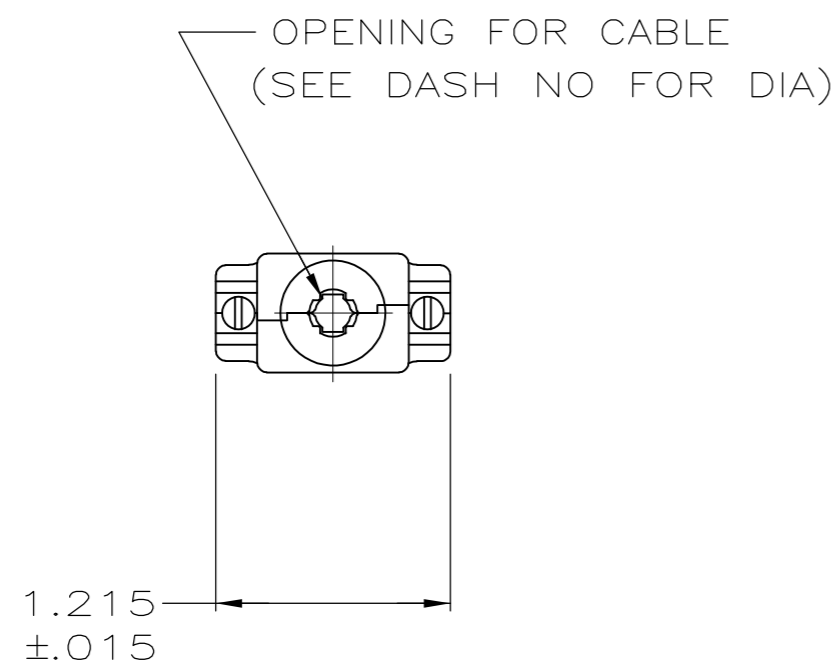


THIS DRAWING IS UNPUBLISHED. RELEASED FOR PUBLICATION
 © COPYRIGHT - By - ALL RIGHTS RESERVED.

LOC		DIST		REVISIONS			
P	LTR	DESCRIPTION		DATE	DWN	APVD	
GP	00	P		REVISED PER ECO-11-005033	23MAR11	RK	HMR

- 1. PARTS PACKAGED UNASSEMBLED.
- △ ZINC PLATED .000200-.000400 THICK, CLEAR CHROMATE COATING.



H	.370	5745171-5
A	.200	5745171-2
C	.250	5745171-1
NECK IDENT	CABLE DIA	PART NO

**COPYRIGHT 2005
 TE CONNECTIVITY
 ALL RIGHTS RESERVED**

THIS DRAWING IS A CONTROLLED DOCUMENT.		DWN	B. MCMASTER	28JULY05	 TE Connectivity
DIMENSIONS: INCHES		CHK	C. ROHDE	28JULY05	
TOLERANCES UNLESS OTHERWISE SPECIFIED:		APVD	M. WALMSLEY	28JULY05	
0 PLC ± - 1 PLC ± - 2 PLC ± - 3 PLC ± .005 4 PLC ± - ANGLES ± -		PRODUCT SPEC	NAME		
MATERIAL SEE CALLOUTS		FINISH	SEE CALLOUTS		APPLICATION SPEC
WEIGHT		-		SIZE	A2
CUSTOMER DRAWING		SCALE 1:1		CAGE CODE	00779
SCALE 1:1		SHEET 1 of 1		DRAWING NO	C=5745171
RESTRICTED TO		-		REV	P

单击下面可查看定价，库存，交付和生命周期等信息

[>>TE Connectivity\(泰科\)](#)