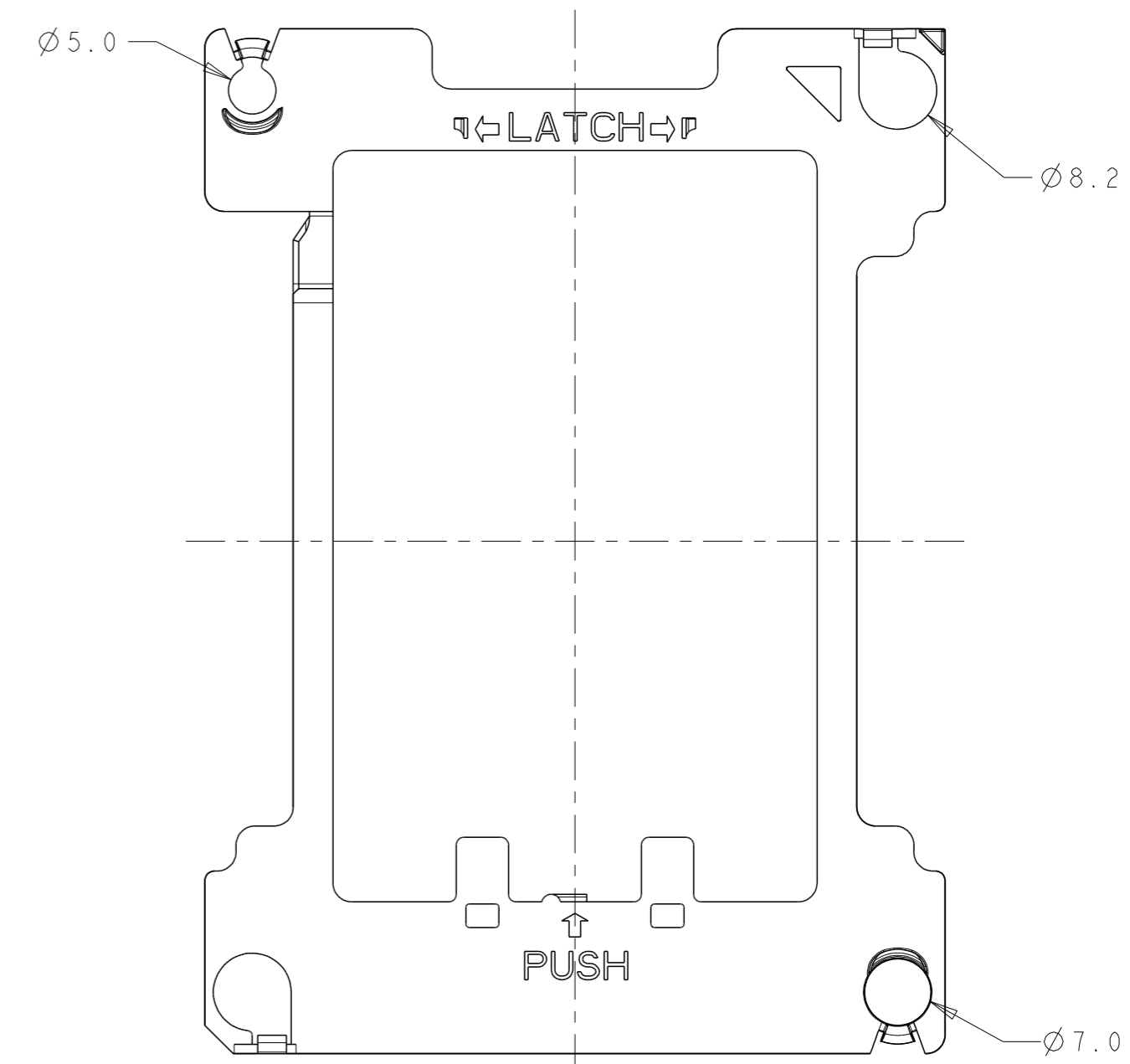
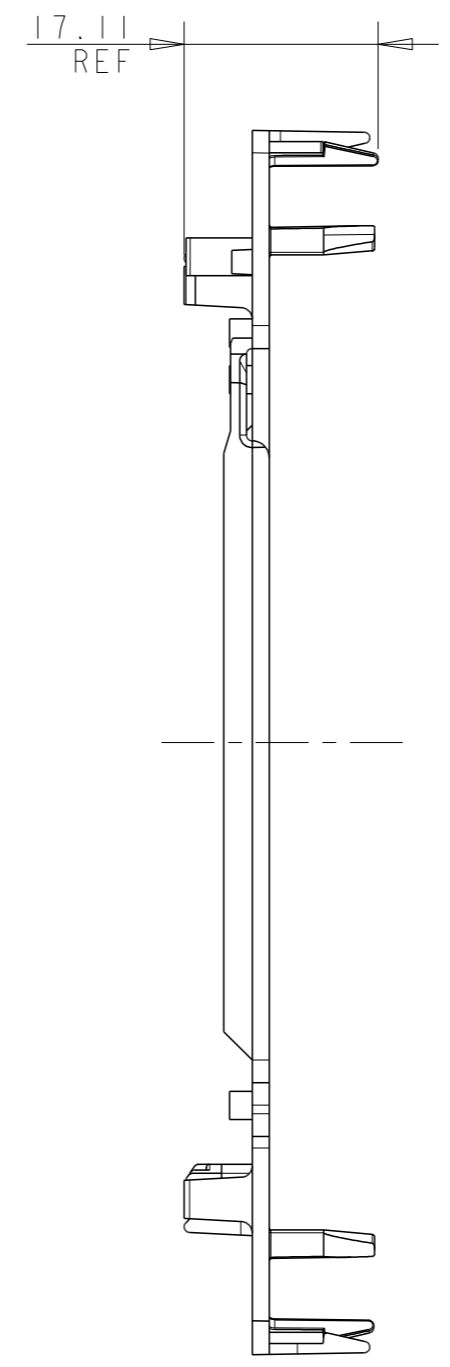
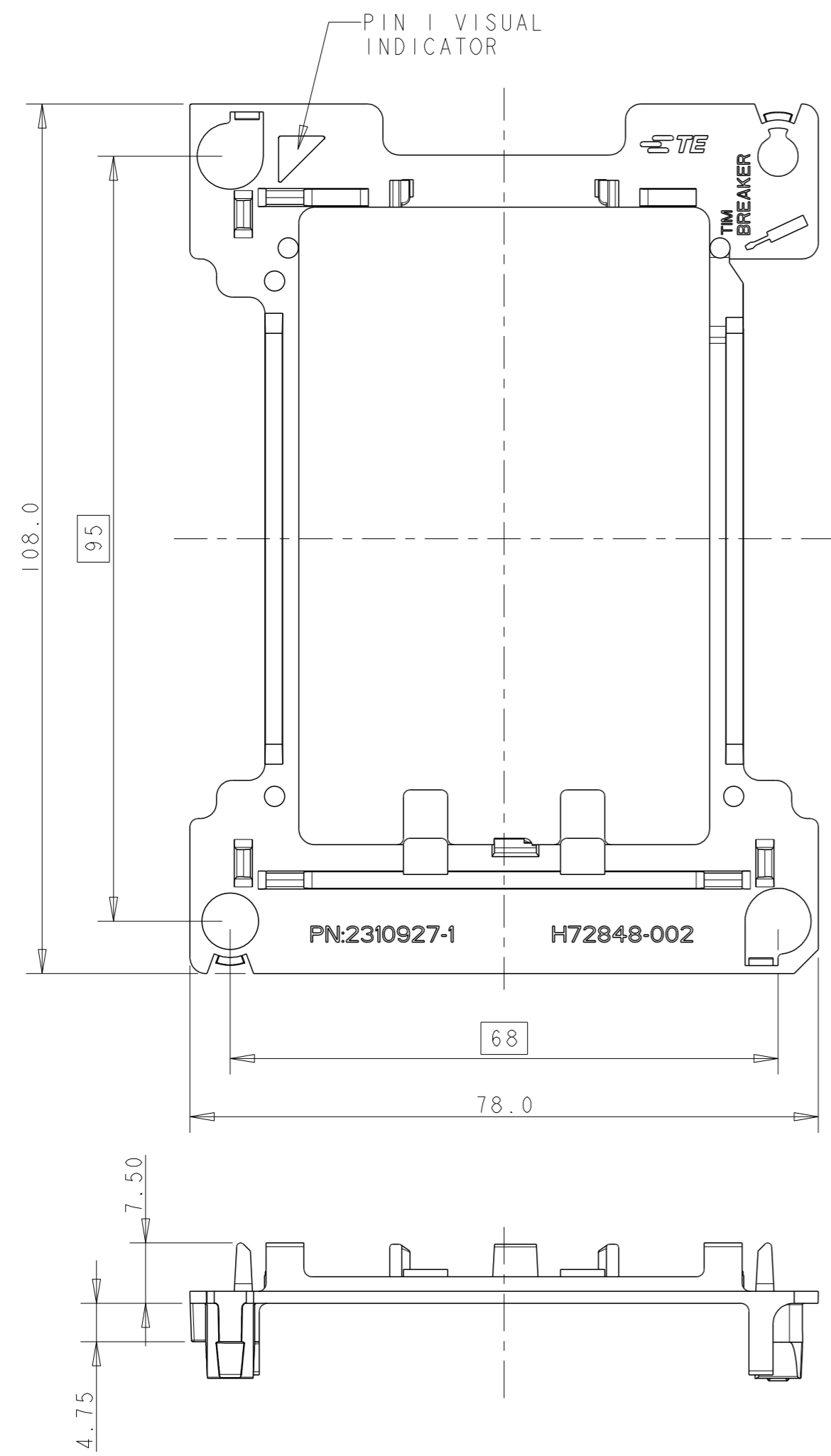


THIS DRAWING IS UNPUBLISHED. RELEASED FOR PUBLICATION
 © COPYRIGHT copyright.d8Ye- ALL RIGHTS RESERVED.

REVISIONS				
P	LTR	DESCRIPTION	DATE	APVD
	A	RELEASED	27DEC16	J.W C.W



PN 2310927-1 AS SHOWN

NOTE:
 1. MATERIAL:
 - TYPE: PC-ABS, BLACK
 - COLOR: BLACK
 - UL94V-0
 2. THIS PRODUCT IS APPLICABLE FOR LGA3647 SOCKET.

THIS DRAWING IS A CONTROLLED DOCUMENT.		DWN: JEFF WANG 14-Nov-16	STE TE Connectivity	
DIMENSIONS: mm		CHK: SIMON LI 14-Nov-16		
TOLERANCES UNLESS OTHERWISE SPECIFIED:		APVD: COREI WANG 14-Nov-16	NAME: SKX-EP NRW FABRIC CARRIER	
0 PLC ±0.3		PRODUCT SPEC	SIZE: A2	CAGE CODE: -
1 PLC ±0.3		APPLICATION SPEC	DRAWING NO: C-2310927	RESTRICTED TO: -
2 PLC ±0.3		WEIGHT	SCALE: 1:1	SHEET: 1 OF 1
3 PLC ±0.3		CUSTOMER DRAWING	REV: A	
4 PLC ±0.3				
ANGLES ±3				
FINISH				

单击下面可查看定价，库存，交付和生命周期等信息

[>>TE Connectivity\(泰科\)](#)