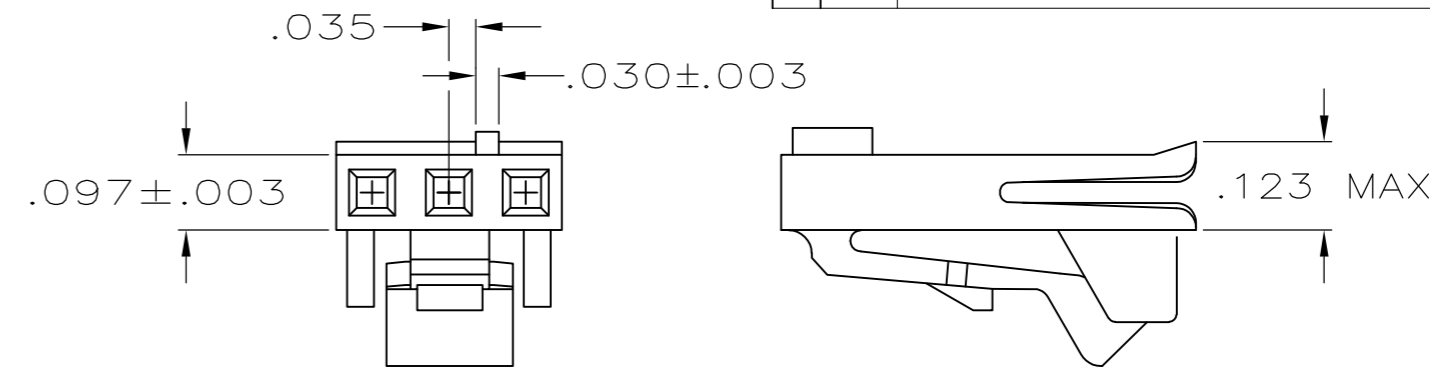
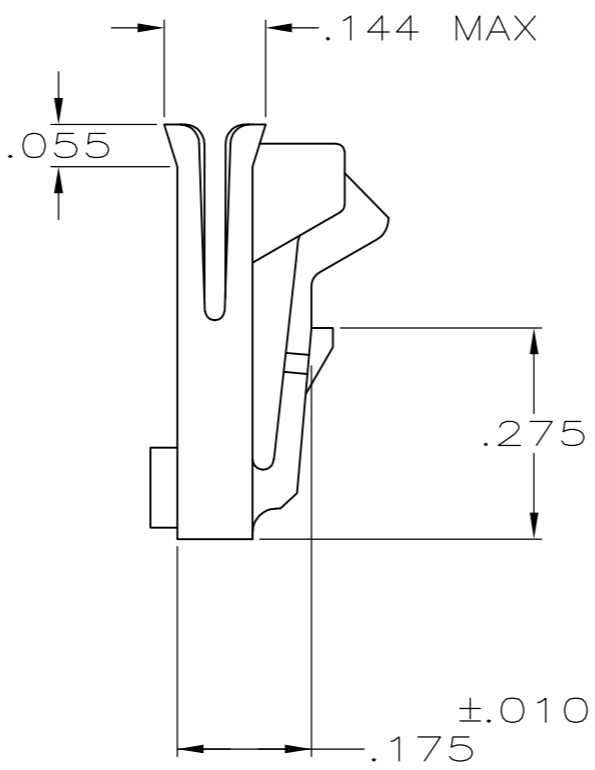
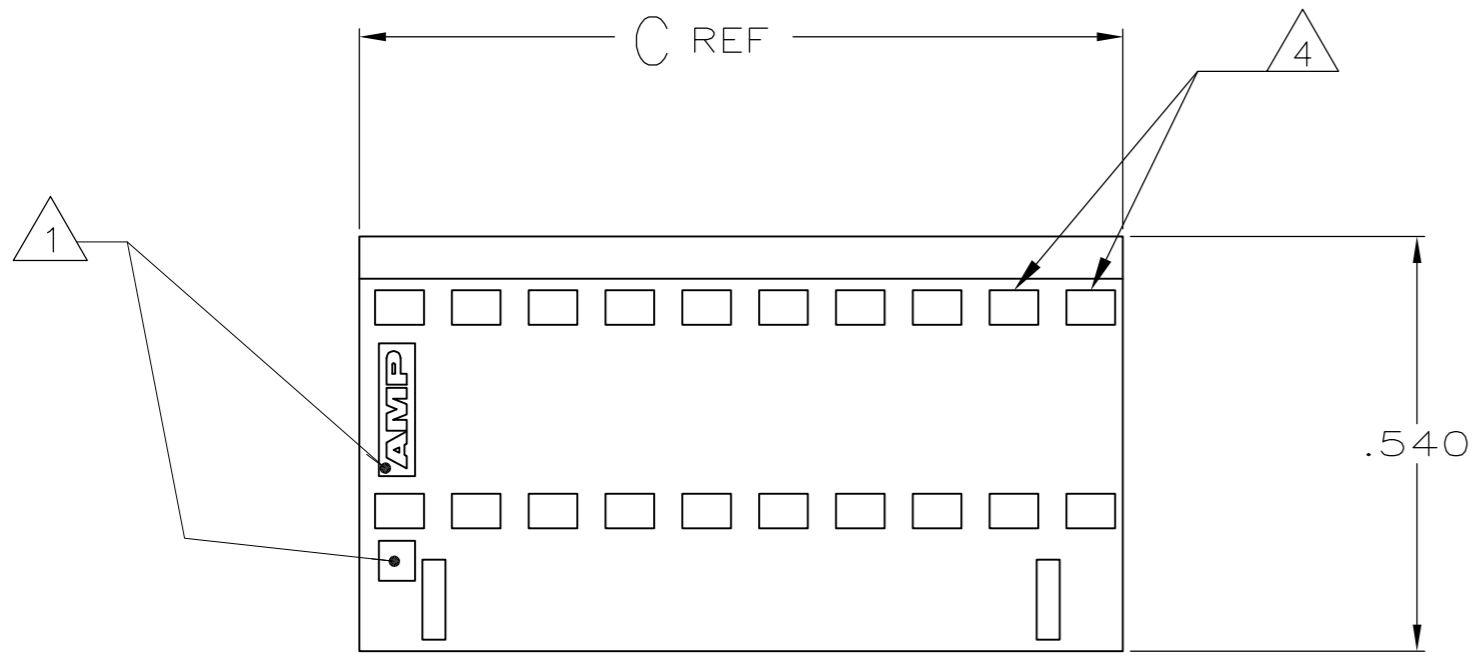
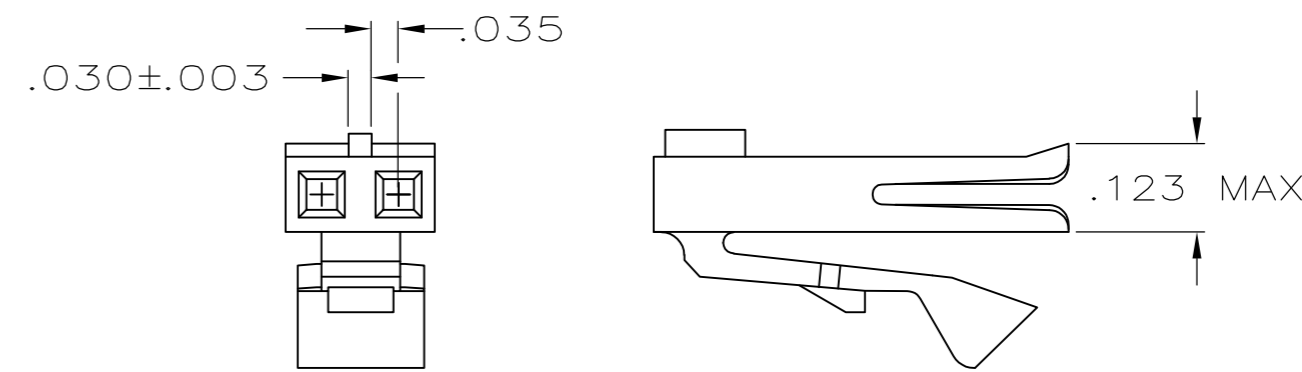


THIS DRAWING IS UNPUBLISHED. RELEASED FOR PUBLICATION  
 © COPYRIGHT - By - ALL RIGHTS RESERVED.

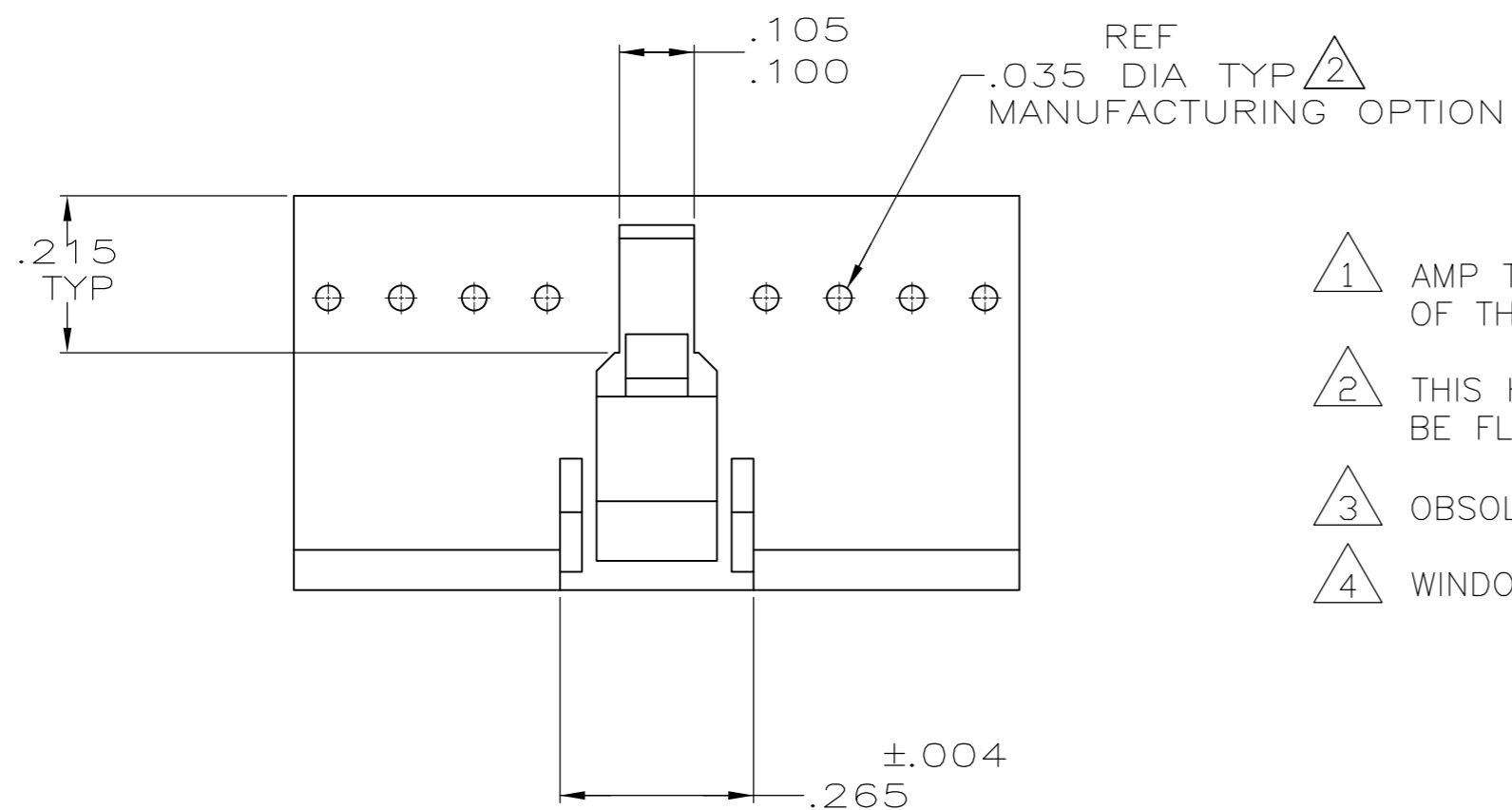
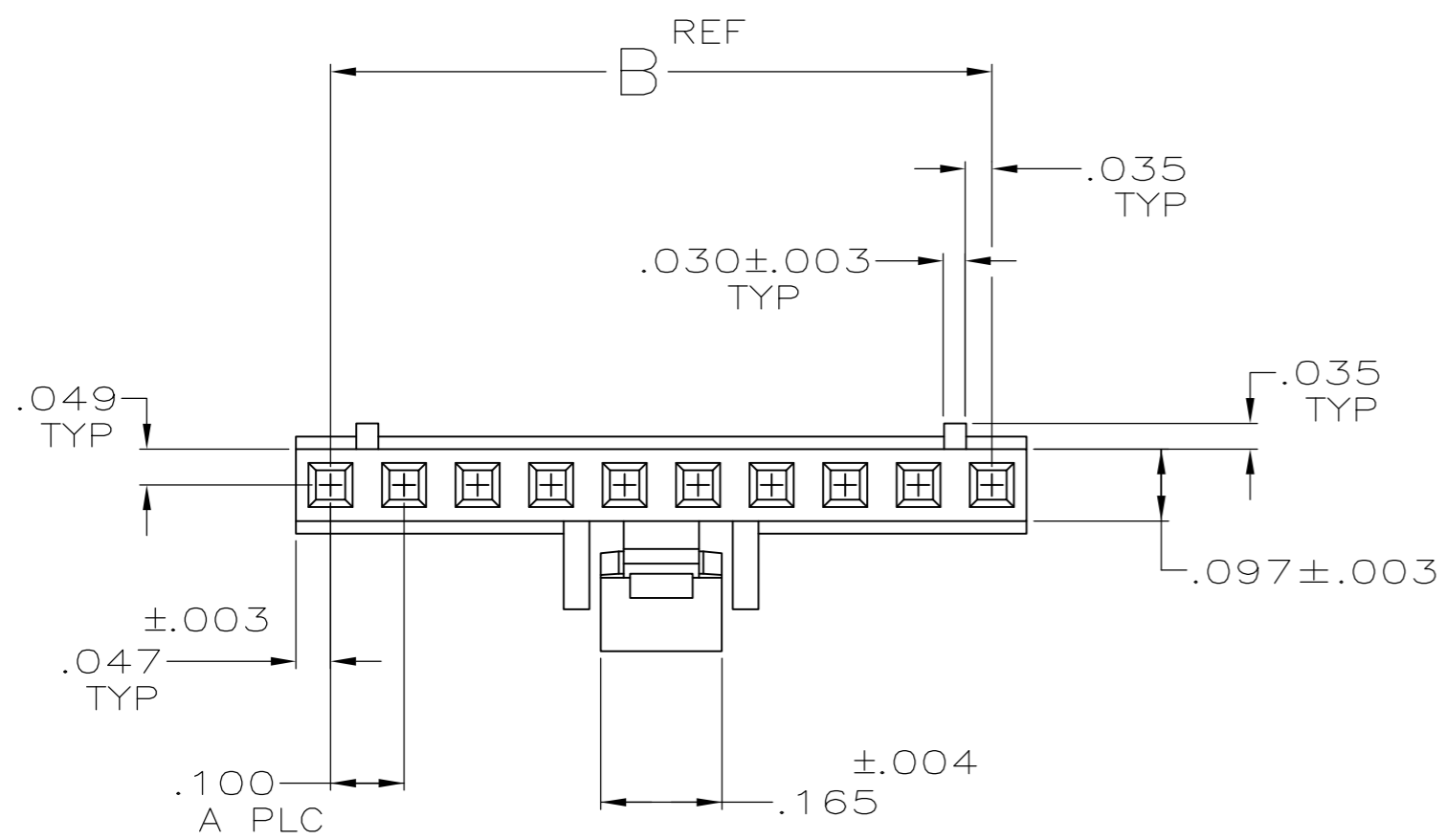
LOC		DIST		REVISIONS			
P	LTR	DESCRIPTION		DATE	DWN	APVD	
GP	00	AA	REVISED PER ECO-11-017188	06DEC2011	CJV	CWR	



DETAIL FOR 3 POSN ONLY



DETAIL FOR 2 POSN ONLY



- 1 AMP TRADEMARK AND MOLD CAVITY IDENTIFICATION LOCATED AT EITHER END OF THE HOUSING IN APPROXIMATE AREA SHOWN.
- 2 THIS HOLE IS FOR MOLDING PURPOSES ONLY AND MAY BE FLASHED OVER.
- 3 OBSOLETE PARTS: OBSOLETE CIS STREAMLINING PER D.RENAUD/D.SINISI.
- 4 WINDOWS MAY OR MAY NOT BE PRESENT ON THIS END OF THE HOUSING.

	2.494	2.400	24	25	2-487526-4
	2.394	2.300	23	24	2-487526-3
3 OBSOLETE	2.294	2.200	22	23	2-487526-2
	2.194	2.100	21	22	2-487526-1
3 OBSOLETE	2.094	2.000	20	21	2-487526-0
	1.994	1.900	19	20	1-487526-9
	1.894	1.800	18	19	1-487526-8
	1.794	1.700	17	18	1-487526-7
	1.694	1.600	16	17	1-487526-6
	1.594	1.500	15	16	1-487526-5
	1.494	1.400	14	15	1-487526-4
	1.394	1.300	13	14	1-487526-3
	1.294	1.200	12	13	1-487526-2
	1.194	1.100	11	12	1-487526-1
	1.094	1.000	10	11	1-487526-0
	.994	.900	9	10	487526-9
	.894	.800	8	9	487526-8
	.794	.700	7	8	487526-7
	.694	.600	6	7	487526-6
	.594	.500	5	6	487526-5
	.494	.400	4	5	487526-4
	.394	.300	3	4	487526-3
	.294	.200	2	3	487526-2
	.194	.100	1	2	487526-1
C REF	B	A	NO OF POSNS	PRODUCT PART NO	

THIS DRAWING IS A CONTROLLED DOCUMENT.		DWN P. BERRY 12-11-85	TE Connectivity	
DIMENSIONS: INCHES		CHK D. DOLLYHIGH 12-13-85		
TOLERANCES UNLESS OTHERWISE SPECIFIED:		APVD -	NAME	
0 PLC ± -		PRODUCT SPEC 108-9024	HOUSING, RECEPTACLE, LATCH, POLARIZED, FFC	
1 PLC ± -		APPLICATION SPEC 114-16015	SIZE A2	CAGE CODE 00779
2 PLC ± -		WEIGHT -	DRAWING NO C=487526	RESTRICTED TO -
3 PLC ± .005		CUSTOMER DRAWING	SCALE 4:1	SHEET 1 OF 1
4 PLC ± -			REV AA	
ANGLES ± -				
FINISH -				

单击下面可查看定价，库存，交付和生命周期等信息

[>>TE Connectivity\(泰科\)](#)