

4

3

2

1

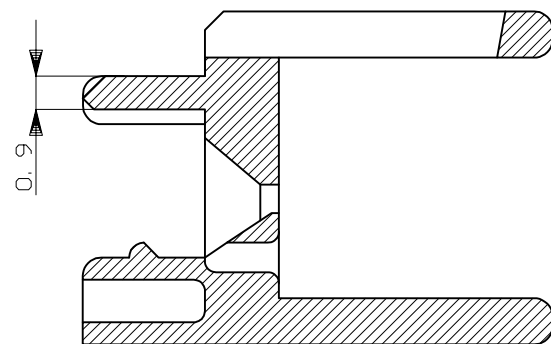
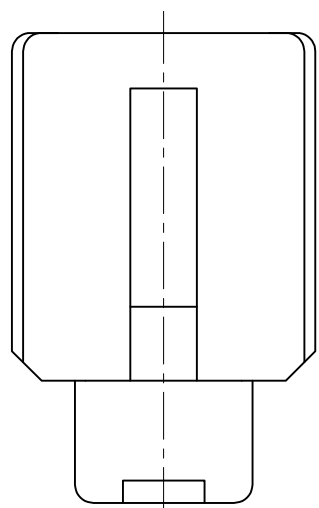
THIS DRAWING IS UNPUBLISHED.

RELEASED FOR PUBLICATION

© COPYRIGHT - By -

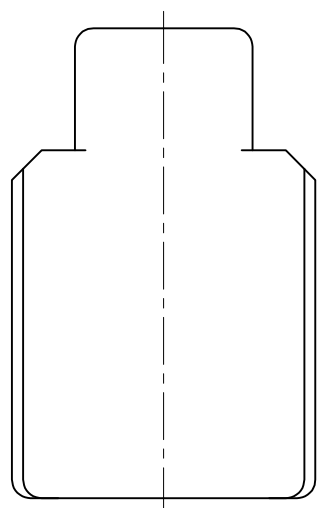
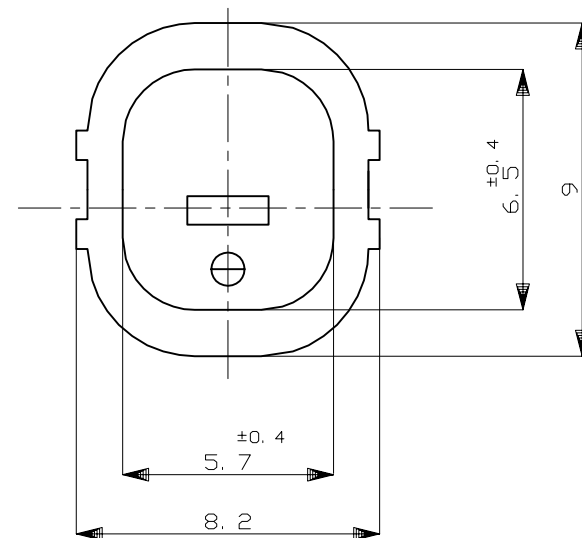
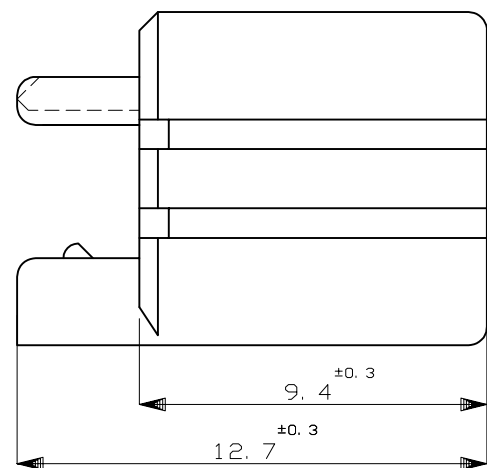
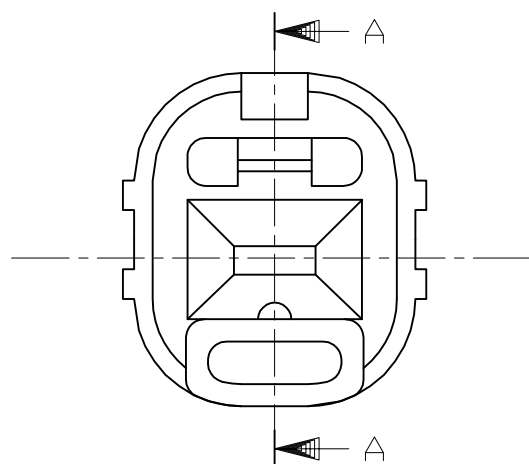
ALL RIGHTS RESERVED.

LOC	DIST	REVISIONS					
		P	LTR	DESCRIPTION	DATE	DWN	APVD
J	-	B1	REVISED	ECR-15-000191	08JAN2014	TS	KB



SECTION 断面 A-A

1. 本品は、キャップハウジング型番 174879 に装着される。
 1. TO BE MATED WITH CAP HOUSING (PN:174879)



HB	自然色 (NATURAL)	1-174880-1
V-2	黄 (YELLOW)	174880-7
使用材料難燃グレード (FLAMMABILITY OF MATERIAL)	色 (COLOR)	型番 (PART NUMBER)

THIS DRAWING IS A CONTROLLED DOCUMENT.		DWN K.ODA 10/19'87	STE TE Connectivity	
DIMENSIONS: mm		CHK Y.MATSUSAKA 10/20'87		
TOLERANCES UNLESS OTHERWISE SPECIFIED:		APVD M.NOGUCHI 10/20'87	NAME	
0 PLC ± -		PRODUCT SPEC	1P ECONOSEAL J-MARKII+ CONNECTOR	
1 PLC ± -		APPLICATION SPEC	DOUBLE LOCK PLATE FOR CAP HOUSING	
2 PLC ± -		WEIGHT -	SIZE A3	CAGE CODE 00779
3 PLC ± -		CUSTOMER DRAWING	DRAWING NO C=174880	RESTRICTED TO -
4 PLC ± -			SCALE 5:1	SHEET 1 of 1
ANGLES ± -				REV B1
MATERIAL PBT				
FINISH -				

GENERAL TOLERANCE	
0 < * ≤ 10	: ±0.2
10 < * ≤ 30	: ±0.25
30 < * ≤ 100	: ±0.3
ANGLES	: ±3°

单击下面可查看定价，库存，交付和生命周期等信息

[>>TE Connectivity\(泰科\)](#)