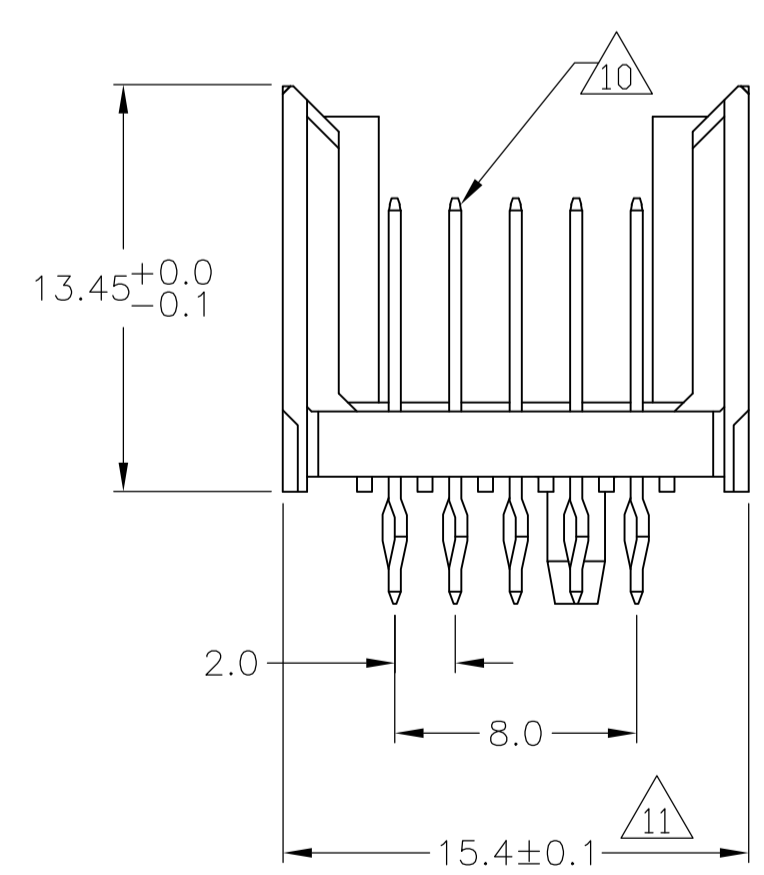
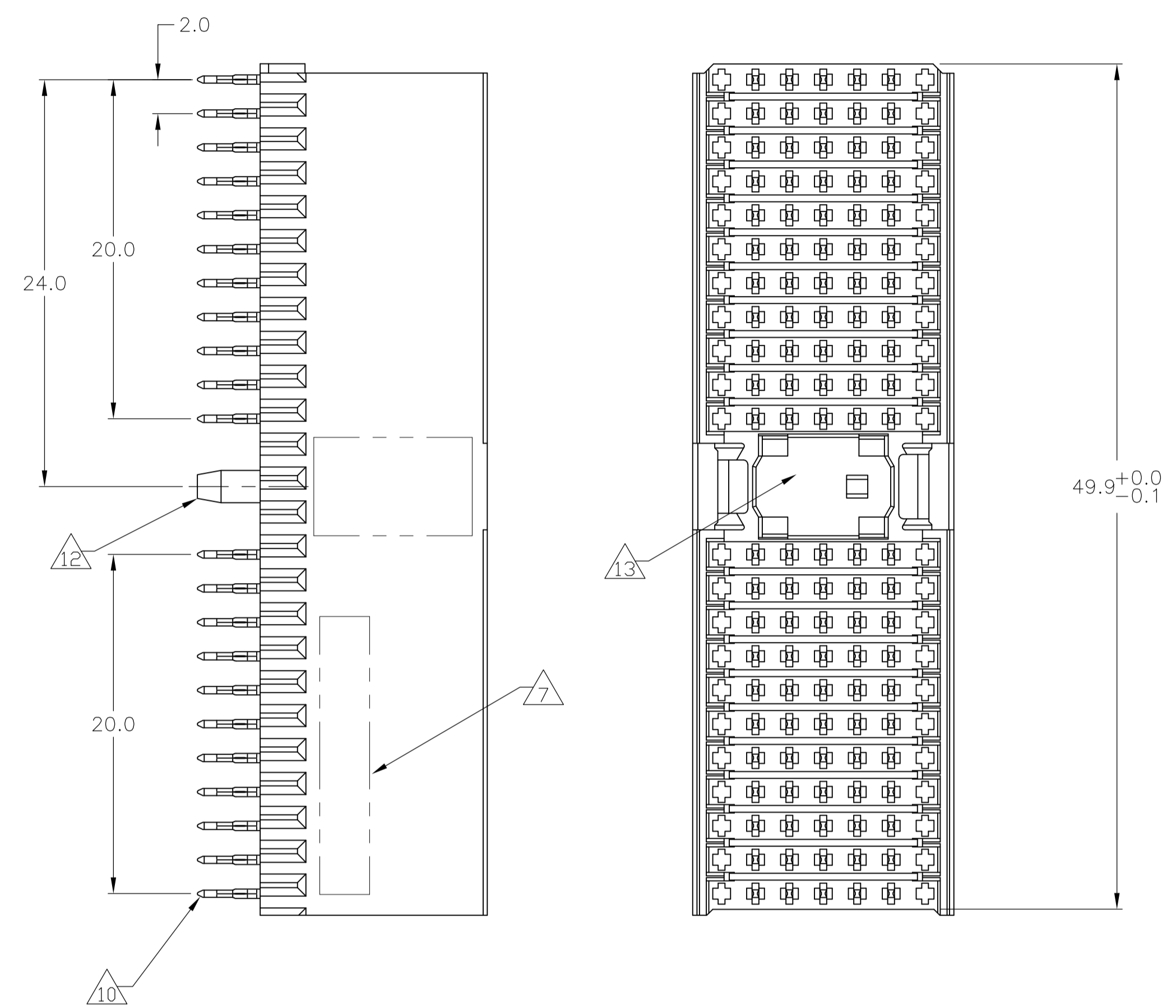
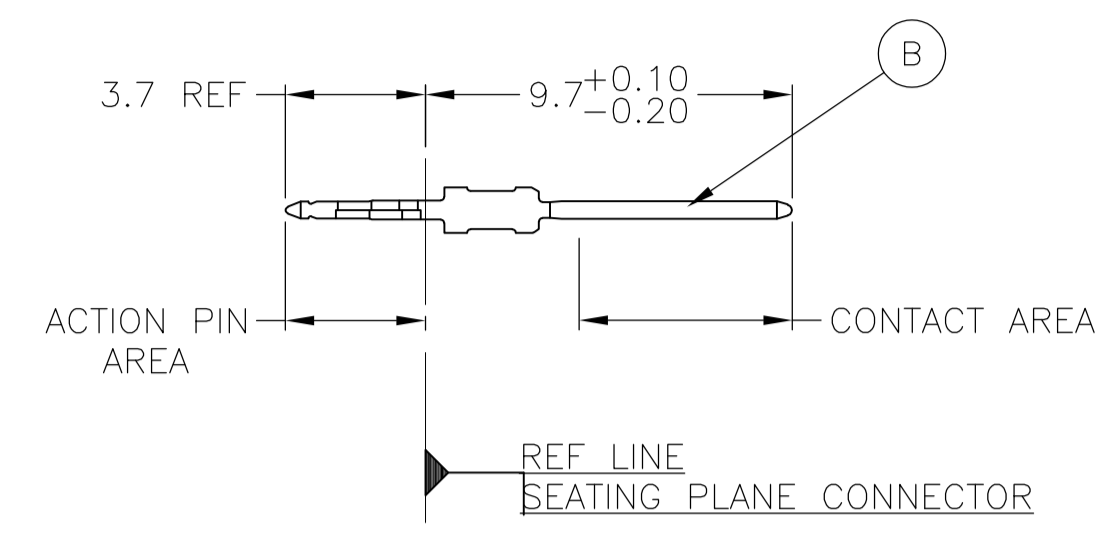


LOC		DIST		REVISIONS			
AD	00	REV	DESCRIPTION	DATE	BY	APPV	
		D1	REV PER ECR-10-00662	18JAN2010	JY	SY	
		E	ECR-10-018652	10SEP10	SW	MQW	
		F	ECR-12-009853	25NOV12	SY	AC	

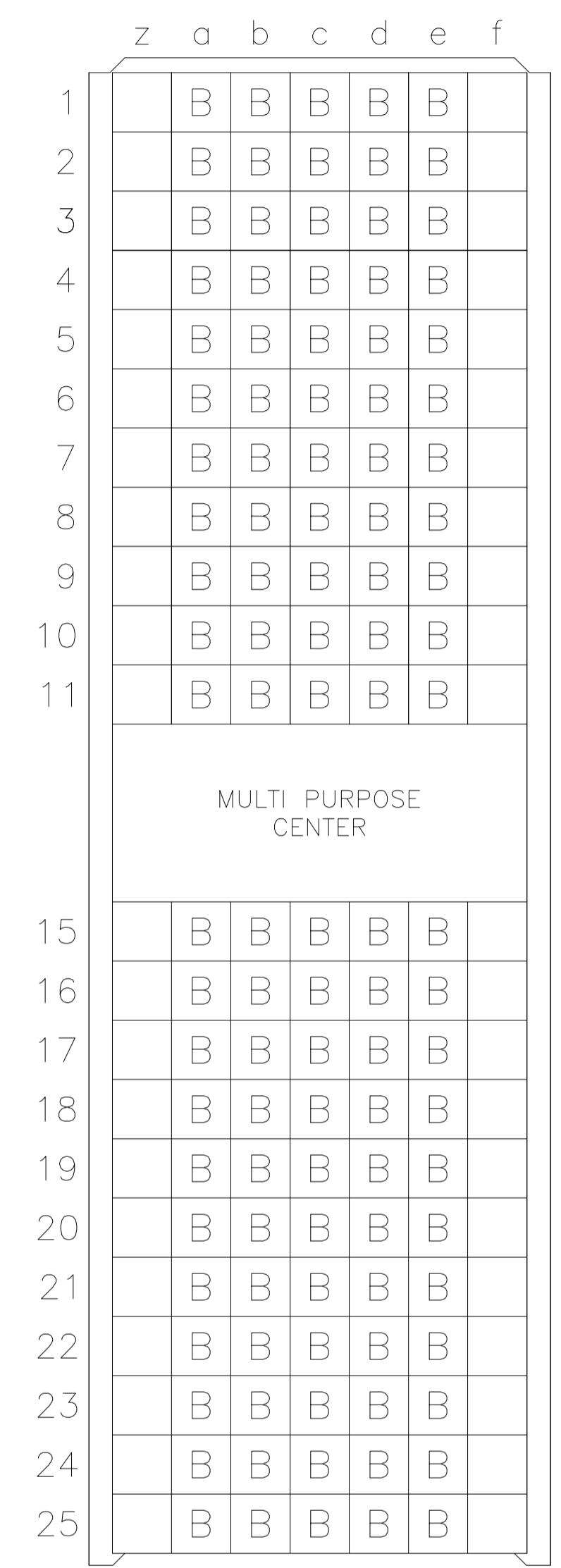
CONNECTOR ASSEMBLY EXAMPLARY LOADED



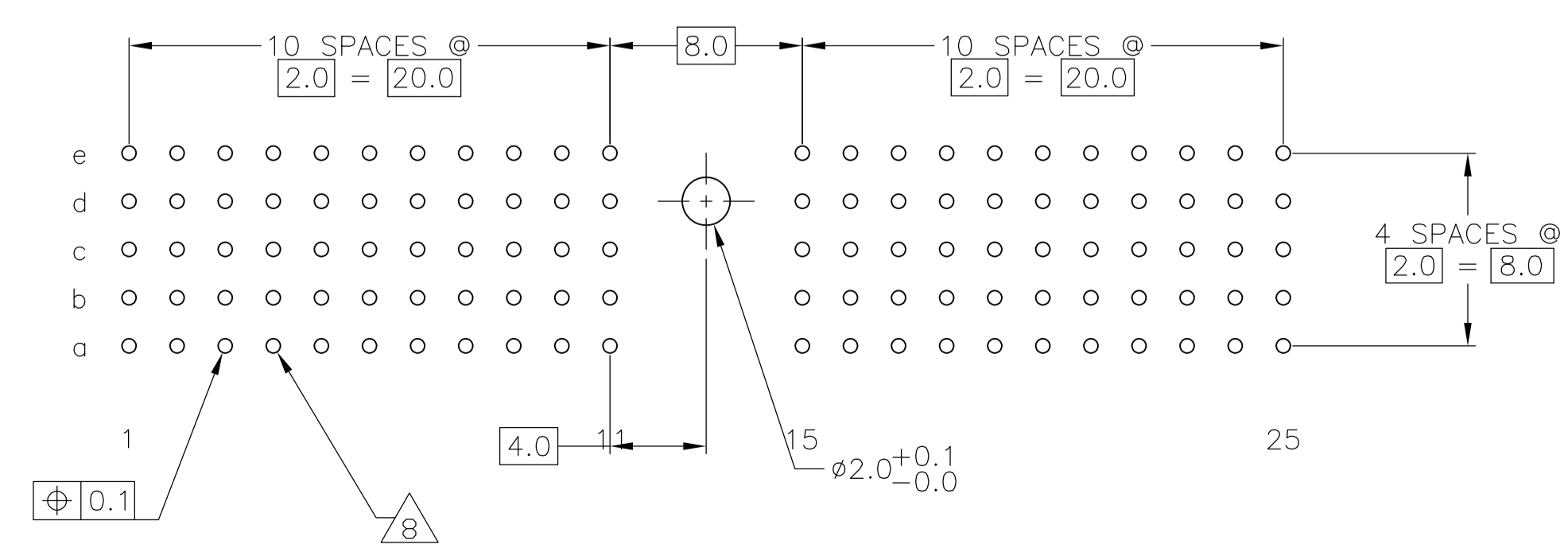
CONTACT DIMENSIONS SCALE 5:1



CONTACT LAYOUT



RECOMMENDED PCB-HOLE LAYOUT COMPONENT SIDE SHOWN



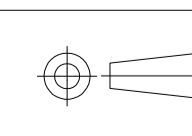
PLATED THRU HOLES PARAMETERS REFERENCE APPLICATION SPECIFICATION

2	3	15	3-188398-0
2	6	14	1-188398-9
2	5	14	188398-9
2	4		188398-4
2	3		188398-1
OBSOLETE			
FINISH		PART NUMBER	

THIS DRAWING IS A CONTROLLED DOCUMENT.		DIN B CARBO 130EC05	Tyco Electronics Corporation Harrisburg, Pa 17105-3608	
DIMENSIONS: mm		CIK G SKIPPER 130EC05	NAME	
TOLERANCES UNLESS OTHERWISE SPECIFIED:		APVD G SKIPPER 130EC05	PRODUCT SPEC	
0-PLC ±		108-19082		
1-PLC ±0.1		APPLICATION SPEC		
2-PLC ±		114-19029		
3-PLC ±		SIZE CAGE CODE DRAWING NO		
4-PLC ±		A1 00779 188398		
ANGLES ±		RESTRICTED TO		
MATERIAL		WEIGHT		
FINISH SEE TABLE		CUSTOMER DRAWING		
		SCALE 4:1 SHEET 1 OF 2 REV F		

LOC	DIST	REVISIONS			
P	LTR	DESCRIPTION	DATE	DN	APVD
AD	00	SEE SHEET 1	-	-	-

- 1 MATERIAL:
CONTACT: PHOSPHOR BRONZE.
HOUSING: GLASS-FILLED POLYESTER.
- 2 GENERAL PLATING SPECIFICATION: UNDERPLATING
(ENTIRE CONTACT): 1.27µm MIN NICKEL AND ACTION
PIN: 0.5µm MIN TIN LEAD.
FOR PLATING OF MATING SURFACES SEE APPLICABLE
SPECIFICATION REFERENCE FOR EACH DASH NUMBER.
- 3 CONFORMS TO ALL TESTING ACCORDING TO IEC 61076-4-101
PERFORMANCE LEVEL 2.
- 4 CONFORMS TO ALL TESTING ACCORDING TO IEC 61076-4-101
PERFORMANCE LEVEL 1.
- 5 CONNECTOR TESTED AND QUALIFIED AGAINST TELCORDIA GR-1217-CORE QUALITY LEVEL 3,
CENTRAL OFFICE APPLICATIONS.
- 6 CONNECTOR TESTED AND QUALIFIED AGAINST TELCORDIA GR-1217-CORE QUALITY LEVEL 3,
UNCONTROLLED ENVIROMENT APPLICATIONS.
- 7 CONNECTOR MARKED WITH PART NUMBER AND DATE CODE.
ADDITIONAL CHARACTERS OR MARKINGS, AS WELL AS THE LOCATION OF THE MARKINGS,
MAY BE ADDED FOR TRACEABILITY BASED UPON MANUFACTURERS DISCRETION.
- 8 PLATED-THROUGH HOLES AT 2x2mm SQUARE GRID
PATTERN DEFINED BY CONTACT LAYOUT.
- 9 FOR ACTUAL PIN LOADING SEE "CONTACT LAYOUT".
- 10 FOR ACTUAL PIN DIMENSIONS SEE "CONTACT DIMENSIONS".
- 11 TO BE MEASURED AT BOTTOM OF SHROUD.
- 12 POLARIZATION FEATURE.
- 13 AREA RESERVED FOR KEYING PART (BASIC P/N 100525).
- 14 CONNECTOR LUBRICATED WITH BELCORE APPROVED LUBRICANT,
TECHNICAL REFERENCE: TR-NWT-001217 ISSUE 1, SEP 1992.
- 15 0.76µm MIN GOLD PLATING AT MATING SURFACES.

THIS DRAWING IS A CONTROLLED DOCUMENT.		DIN E CARBO 130EC05	Tyco Electronics Corporation Harrisburg, Pa 17105-3608	
DIMENSIONS: mm		CIK G SKIPPER 130EC05	NAME MALE ASSEMBLY, Z-PACK 2mm HM, TYPE A	
		APVD G SKIPPER 130EC05	PRODUCT SPEC 108-19082	
TOLERANCES UNLESS OTHERWISE SPECIFIED: ±0.2		APPLICATION SPEC 114-19029	SIZE A1	CAGE CODE 00779
MATERIAL SEE SHEET 1	FINISH SEE SHEET 1	WEIGHT -	DRAWING NO 188398	RESTRICTED TO -
CUSTOMER DRAWING			SCALE 4:1	SHEET 2 OF 2

单击下面可查看定价，库存，交付和生命周期等信息

[>>TE Connectivity\(泰科\)](#)