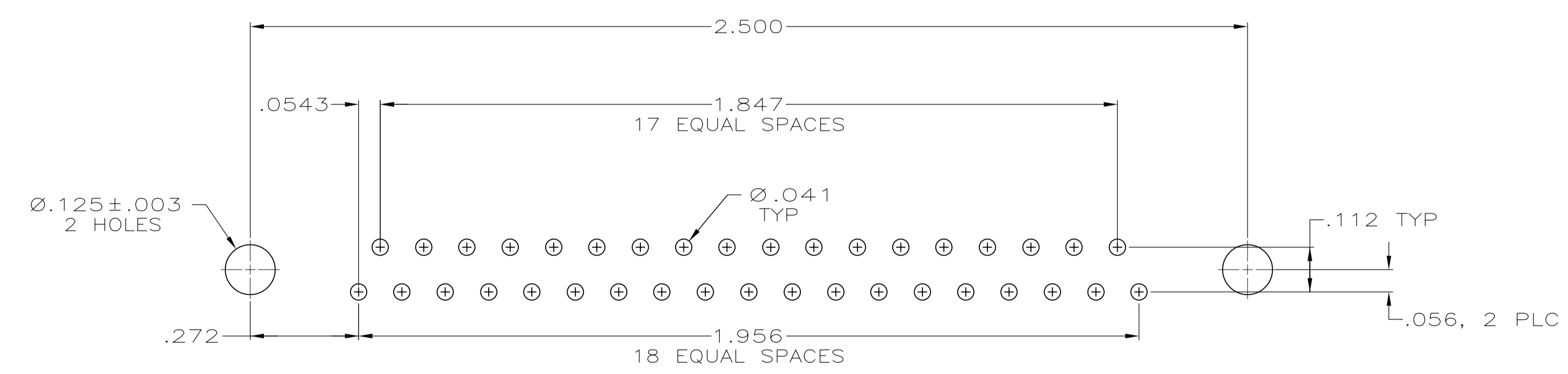
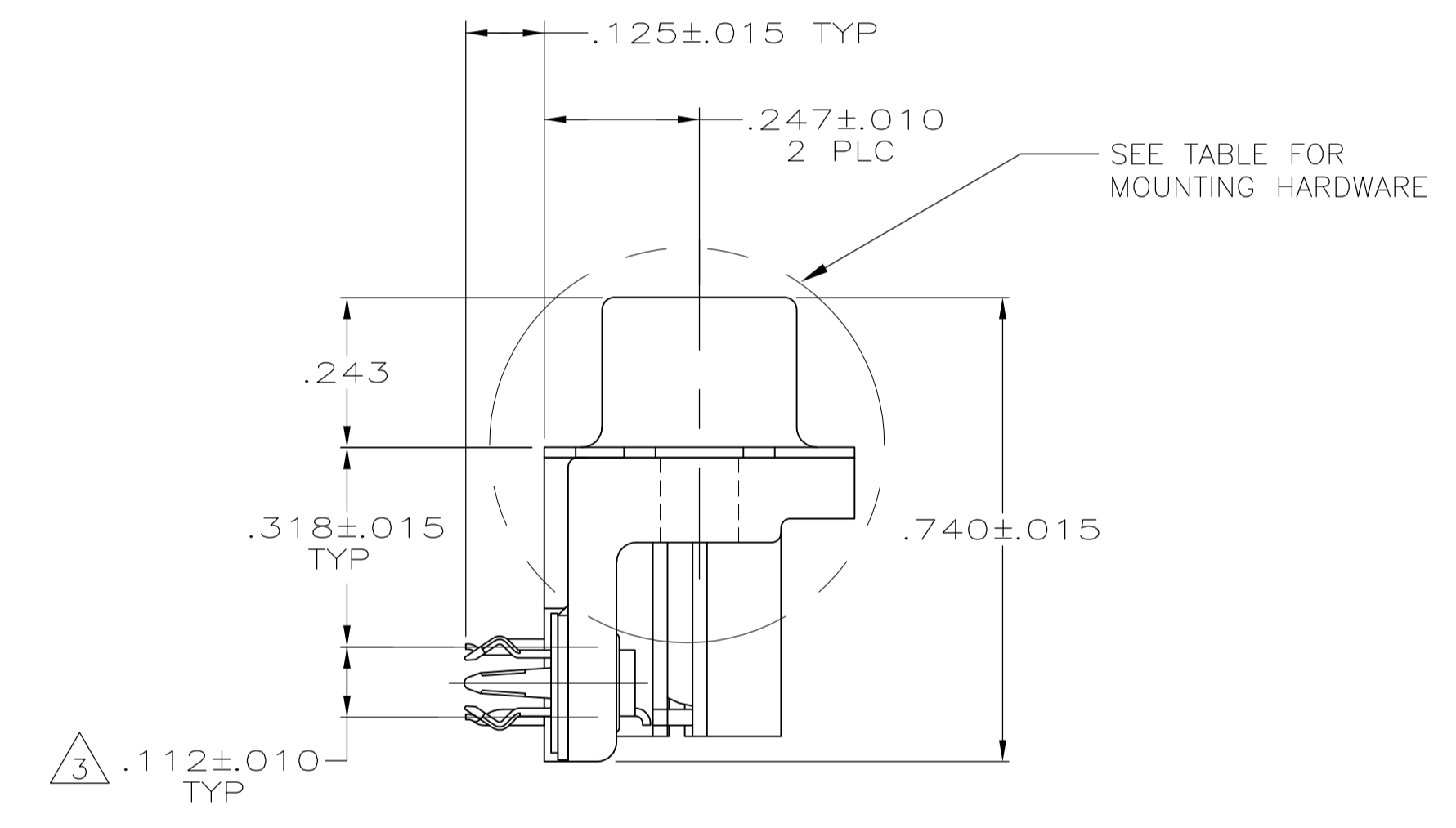
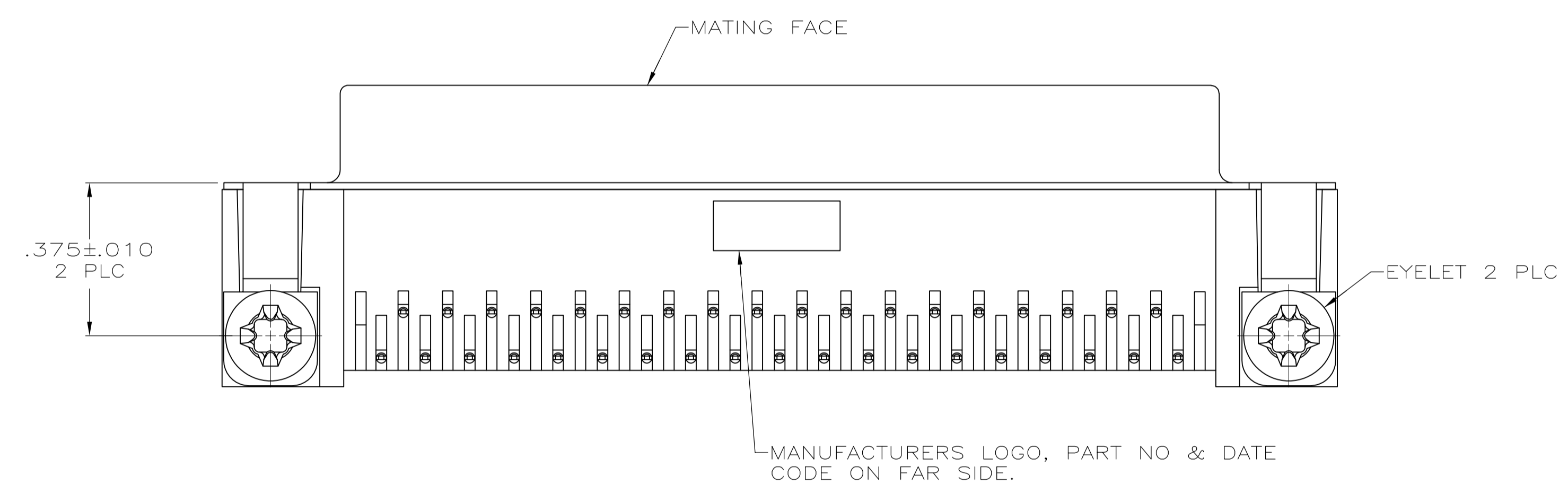
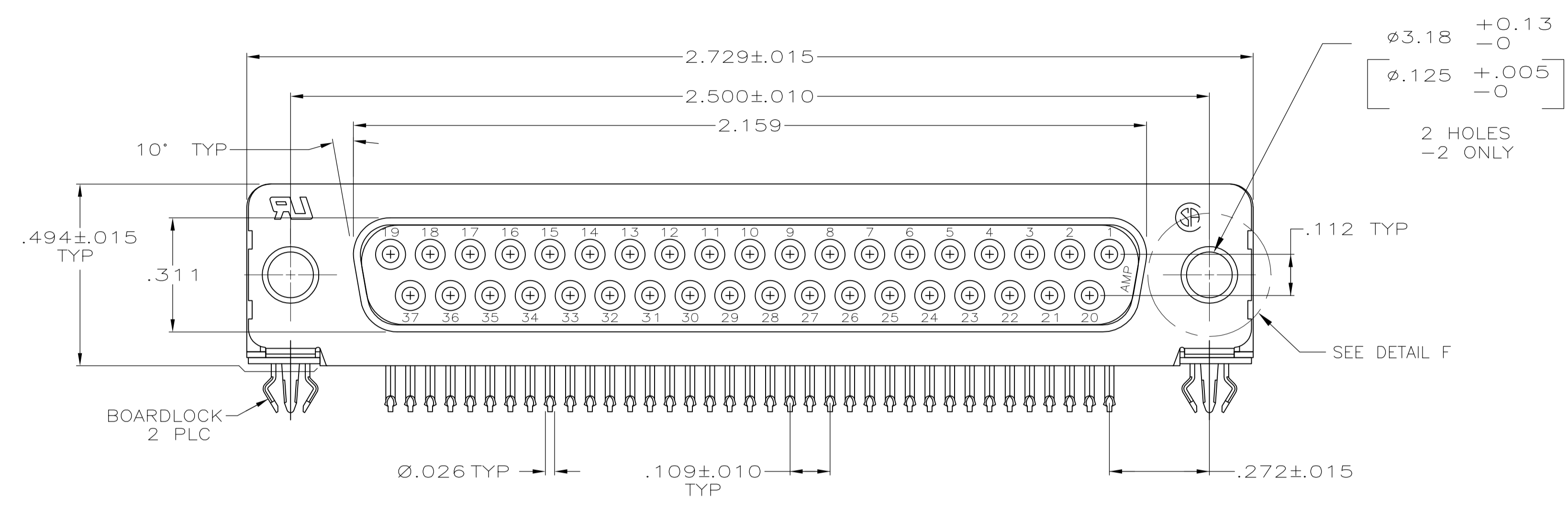
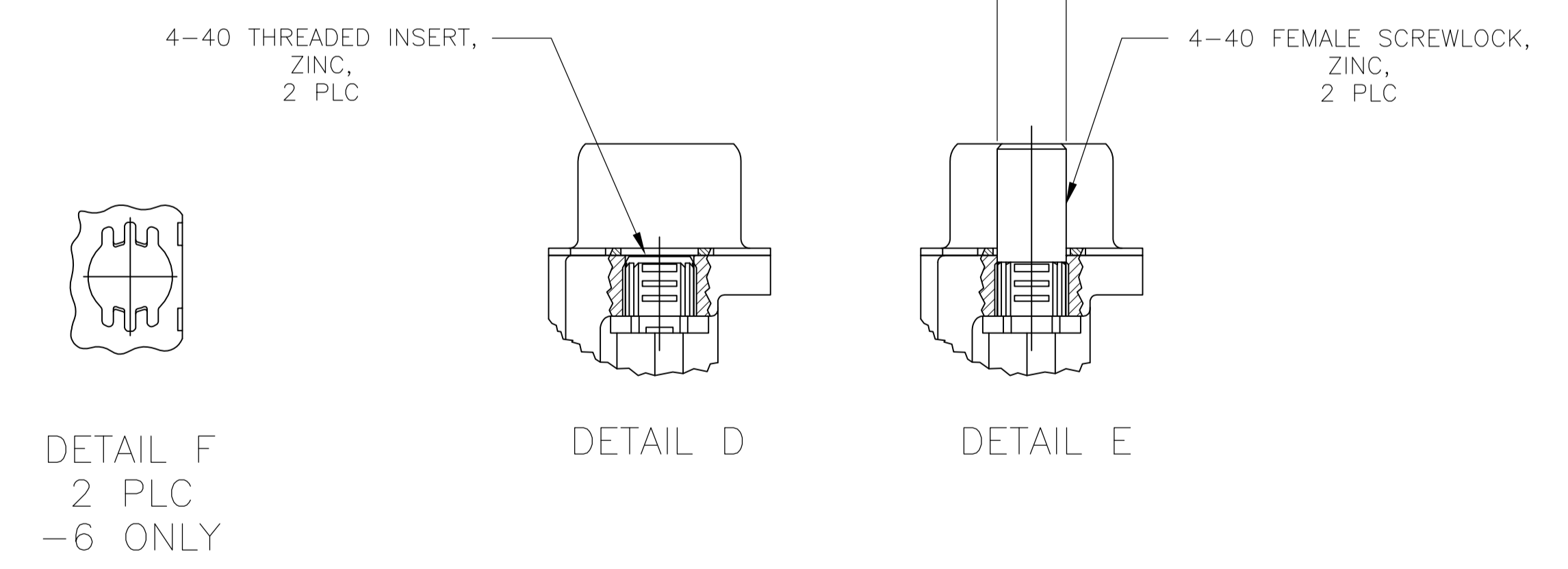


LOC		DIST		REVISIONS			
GP	00	REV	DATE	BY	CHK	APPV	
A1	REVISED PER ECO-11-004835		11MAR11	RK	HMR		



RECOMMENDED P.C. BOARD MOUNTING DIMENSIONS



- 1 MOLDED PARTS: FLAME RETARDANT 94V-0 RATED THERMOPLASTIC, BLACK.  
SHELL: CARBON STEEL  
CONTACTS: PHOSPHOR BRONZE  
EYELETS: BRASS  
INSERTS AND SCREWLOCKS: ZINC  
BOARDLOCKS: COPPER ALLOY
- 2 SHELL: .000100 MIN TIN OVER .000050 MIN COPPER.  
CONTACTS: .000030 MIN GOLD FOR DISTANCE OF .100 MIN FROM MATING END, .000100 MIN TIN ON TERMINATION END, ALL OVER .000050 MIN NICKEL ON ENTIRE CONTACT.  
EYELETS: .000100 MIN TIN OVER COPPER FLASH.  
BOARDLOCKS: .000150 MIN TIN OVER .000050 MIN NICKEL.  
INSERTS AND SCREWLOCKS: CLEAR CHROMATE
- 3 DIMENSION APPLIES FROM CENTER OF CONTACTS.

SEE DETAIL E	5747847-6
SEE DETAIL D	5747847-4
NONE	5747847-2
MOUNTING HARDWARE	PART NUMBER

THIS DRAWING IS A CONTROLLED DOCUMENT.

DIMENSIONS: INCHES	TOLERANCES UNLESS OTHERWISE SPECIFIED:	DIN L. VARELA - DOCKS 04-06-05	CHK S. BOLASH 04-06-05	APVD M. WALMSLEY 04-06-05	NAME
0 PLC ± -	1 PLC ± -	TE Connectivity RECEPTACLE ASSEMBLY, SIZE 4, 37 POSITION, RIGHT ANGLE, FRONT METAL SHELL, .318 SERIES, .026 DIA POSTS, BOARDLOCKS, AMPLIMITE HD-20			PRODUCT SPEC
2 PLC ± -	3 PLC ± -.005				APPLICATION SPEC
4 PLC ± -	ANGLES ± °				SIZE
MATERIAL	FINISH				WEIGHT
1	2	114-40010	SCALE 4:1	CAGE CODE DRAWING NO	1 OF 1
		A1 00779	SHEET	5747847	REV A1

单击下面可查看定价，库存，交付和生命周期等信息

[>>TE Connectivity\(泰科\)](#)

[>>点击查看相关商品](#)