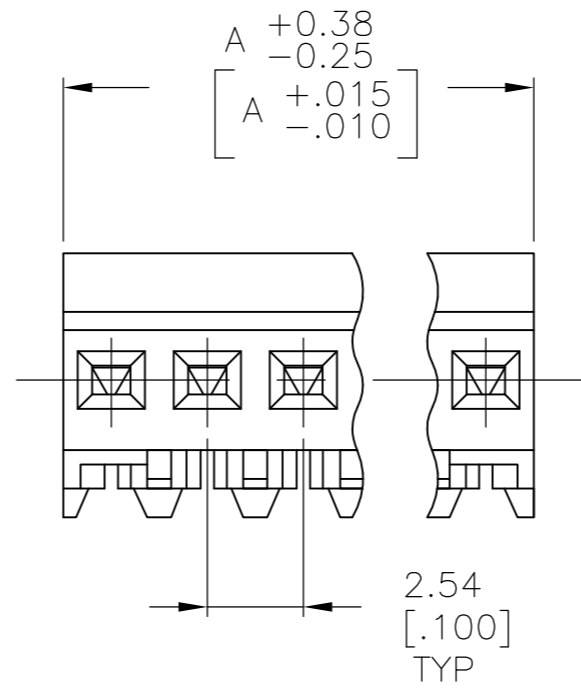
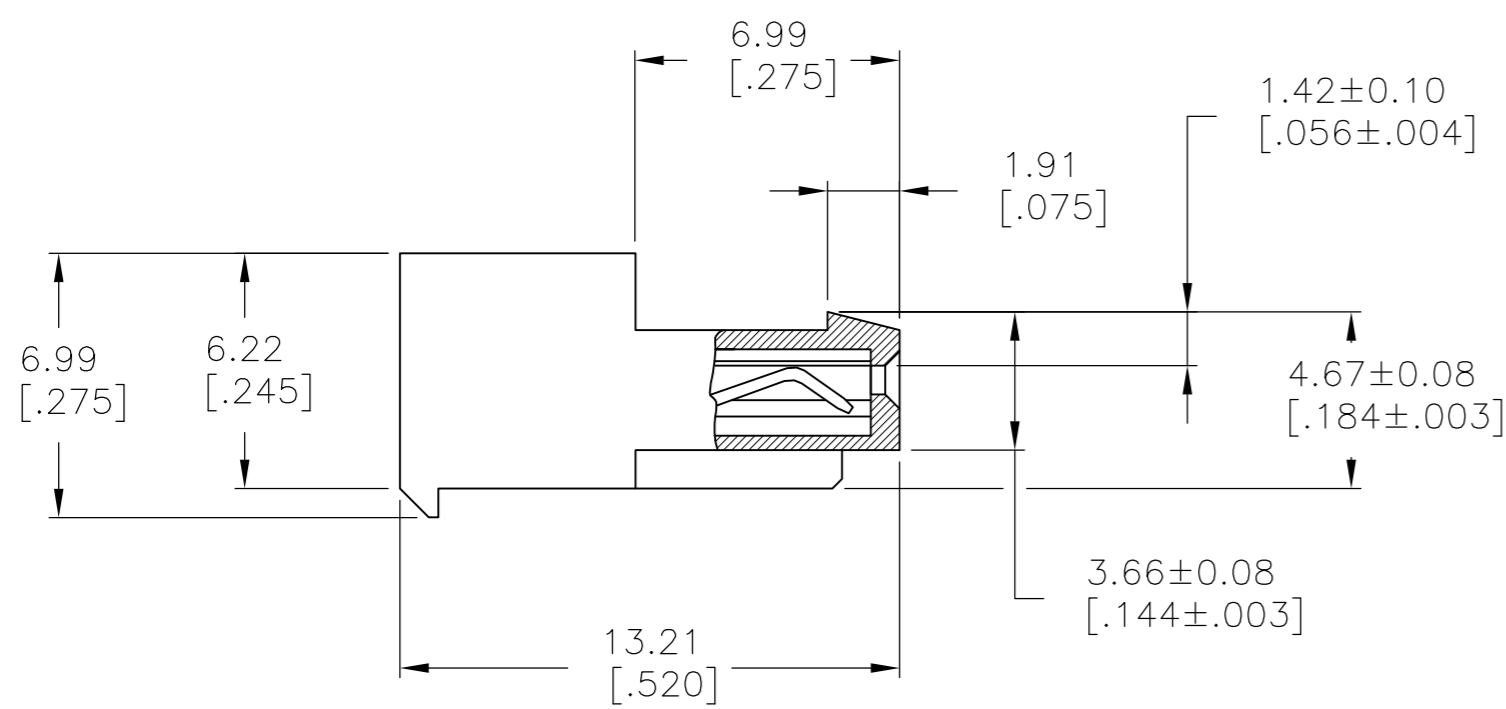
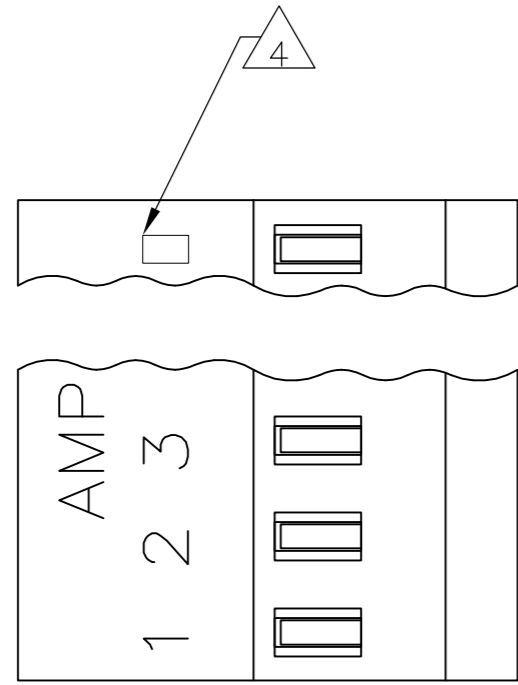


THIS DRAWING IS UNPUBLISHED. RELEASED FOR PUBLICATION
 © COPYRIGHT - By - ALL RIGHTS RESERVED.

LOC		DIST		REVISIONS			
P	LTR	DESCRIPTION		DATE	DWN	APVD	
CM	00	D2		REVISED PER ECO-11-014117	19JUL11	HMR SM	



1 MATERIAL: CONNECTOR - NYLON UL94V-2 (YELLOW).

CONTACTS - 0.30[.012] THICK COPPER ALLOY
 MATTE WHISKER MITIGATED TIN
 0.00203[.000080] MIN THICKNESS
 OVER NICKEL UNDERPLATE OR BRIGHT
 TIN-LEAD 93/7 0.00203[.000080] MIN
 THICKNESS. SEE FINISH COLUMN FOR
 PLATING TYPE.

2. CONTACTS ACCEPT 26 AWG WIRE WITH 1.52[.060] MAX INSULATION DIAMETER.

3. CONTACTS MUST ACCEPT 0.64±0.03[.025±.001] SQUARE POST AND REMAIN LOCKED IN POSITION.

4 IDENTIFICATION NUMBER FOR LAST CIRCUIT MAY NOT APPEAR ON ALL ASSEMBLIES.

5. DIMENSIONS IN BRACKETS ARE IN INCHES.

6. HOUSING FEATURES ARE: CLOSED END WITH LOCKING RAMP.

7 OBSOLETE PARTS: OBSOLETE CIS STREAMLINING PER D.RENAUD/D.SINISI

OBSOLETE

TIN

15.24[.600]

6

~~3-647055-6~~

10.16[.400]

4

~~3-647055-4~~

7 SUPERCEDED

TIN-LEAD

15.24[.600]

6

~~647055-6~~

7 SUPERCEDED

10.16[.400]

4

~~647055-4~~

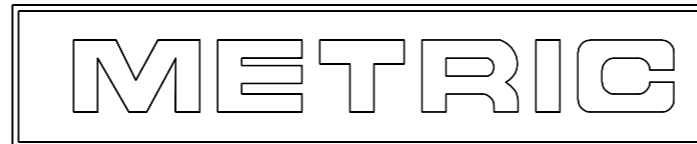
FINISH

DIM A

NO. OF CIRCUITS

PART NO.

THIS DRAWING IS A CONTROLLED DOCUMENT.		DWN B. LEWIS 23SEP96	TE Connectivity	
DIMENSIONS: mm [INCHES]		CHK R. SWING 23SEP96	MTA-100 CONNECTOR ASSEMBLY, 26 AWG, SPECIAL	
TOLERANCES UNLESS OTHERWISE SPECIFIED:		APVD C. JONES 23SEP96	NAME	RESTRICTED TO
0 PLC ± -	1 PLC ± -	PRODUCT SPEC 108-1050	SIZE	SCALE
2 PLC ± -	3 PLC ± 0.13 [.005]	APPLICATION SPEC 114-1019	CAGE CODE	SHEET
4 PLC ± -	ANGLES ± -	WEIGHT	DRAWING NO	REV
MATERIAL	FINISH	114-1019	A2 00779 C-647055	1 of 1
1	1	CUSTOMER DRAWING	SCALE 5:1	D2



单击下面可查看定价，库存，交付和生命周期等信息

[>>TE Connectivity\(泰科\)](#)