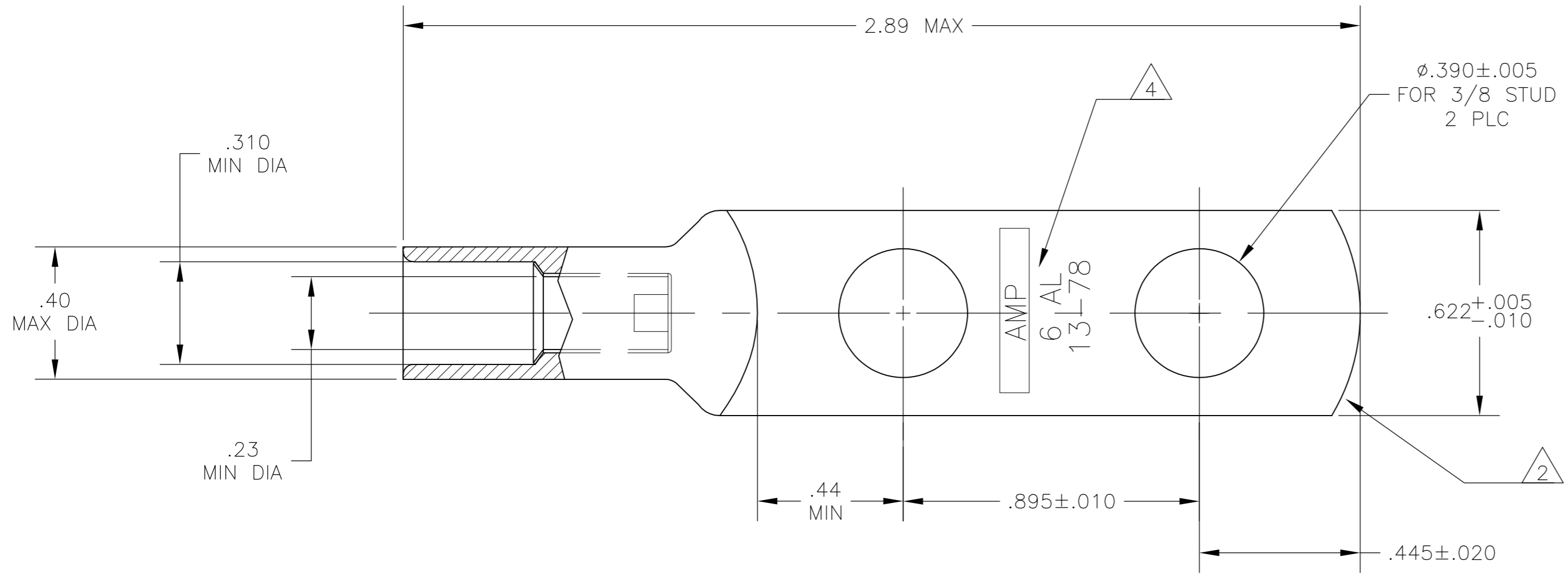
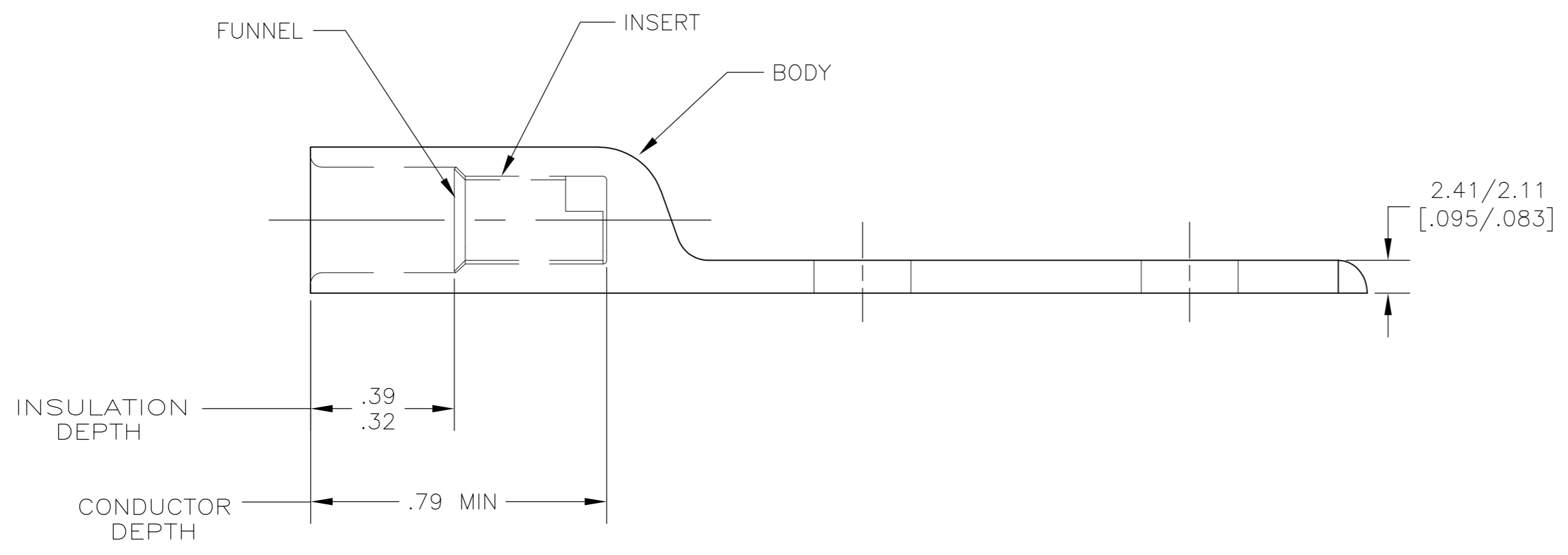


THIS DRAWING IS UNPUBLISHED. RELEASED FOR PUBLICATION
 © COPYRIGHT - By - ALL RIGHTS RESERVED.

LOC	DIST	REVISIONS					
		P	LTR	DESCRIPTION	DATE	DWN	APVD
G	86		B	REV PER ECO-12-008336	20JUN12	PY	BW



- 1 WIRE INSULATION: .260-291 DIA
- 2 THE TONGUE RADIUS FEATURE IS NOT A TOOLING CONTROLLED DIMENSION AND MAY NOT BE A TRUE RADIUS.
- 3 .020 FLASH PERMITTED ON WIRE BARRELL DUE TO IMPACTING
- 4 STAMP "AMP 6 AL 13-78" SIZE AND LOCATION APPROX AS SHOWN



4	INSERT & FUNNEL: BRASS MIL-C-50 NICKEL PL QQ-N-290 .000300 AVG THK		5 696951-1																		
	BODY: COPPER ASTM-B187 ANNEALED TIN PL PER ASTM B-545 .000150 MIN THK																				
STAMP	MATERIAL & FINISH		PART NO.																		
THIS DRAWING IS A CONTROLLED DOCUMENT.		DWN JR RUTH 10may06	TE Connectivity																		
DIMENSIONS: INCHES		CHK MJ SPICER 10MAY06																			
TOLERANCES UNLESS OTHERWISE SPECIFIED:		APVD MJ SPICER 10MAY06	NAME																		
<table border="1"> <tr><td>0 PLC</td><td>±</td><td>-</td></tr> <tr><td>1 PLC</td><td>±</td><td>-</td></tr> <tr><td>2 PLC</td><td>±</td><td>.01</td></tr> <tr><td>3 PLC</td><td>±</td><td>.008</td></tr> <tr><td>4 PLC</td><td>±</td><td>-</td></tr> <tr><td>ANGLES</td><td>±</td><td>-</td></tr> </table>		0 PLC	±	-	1 PLC	±	-	2 PLC	±	.01	3 PLC	±	.008	4 PLC	±	-	ANGLES	±	-	PRODUCT SPEC	WIRE TERMINAL, RING TONGUE, SEALED COPALUM, WIRE SIZE: 6 ALUMINUM
0 PLC	±	-																			
1 PLC	±	-																			
2 PLC	±	.01																			
3 PLC	±	.008																			
4 PLC	±	-																			
ANGLES	±	-																			
MATERIAL SEE TABLE		FINISH SEE TABLE	WEIGHT 25 GRAMS																		
		SCALE 2:1	SHEET 1 of 1																		
		CUSTOMER DRAWING	REV B																		

单击下面可查看定价，库存，交付和生命周期等信息

[>>TE Connectivity\(泰科\)](#)