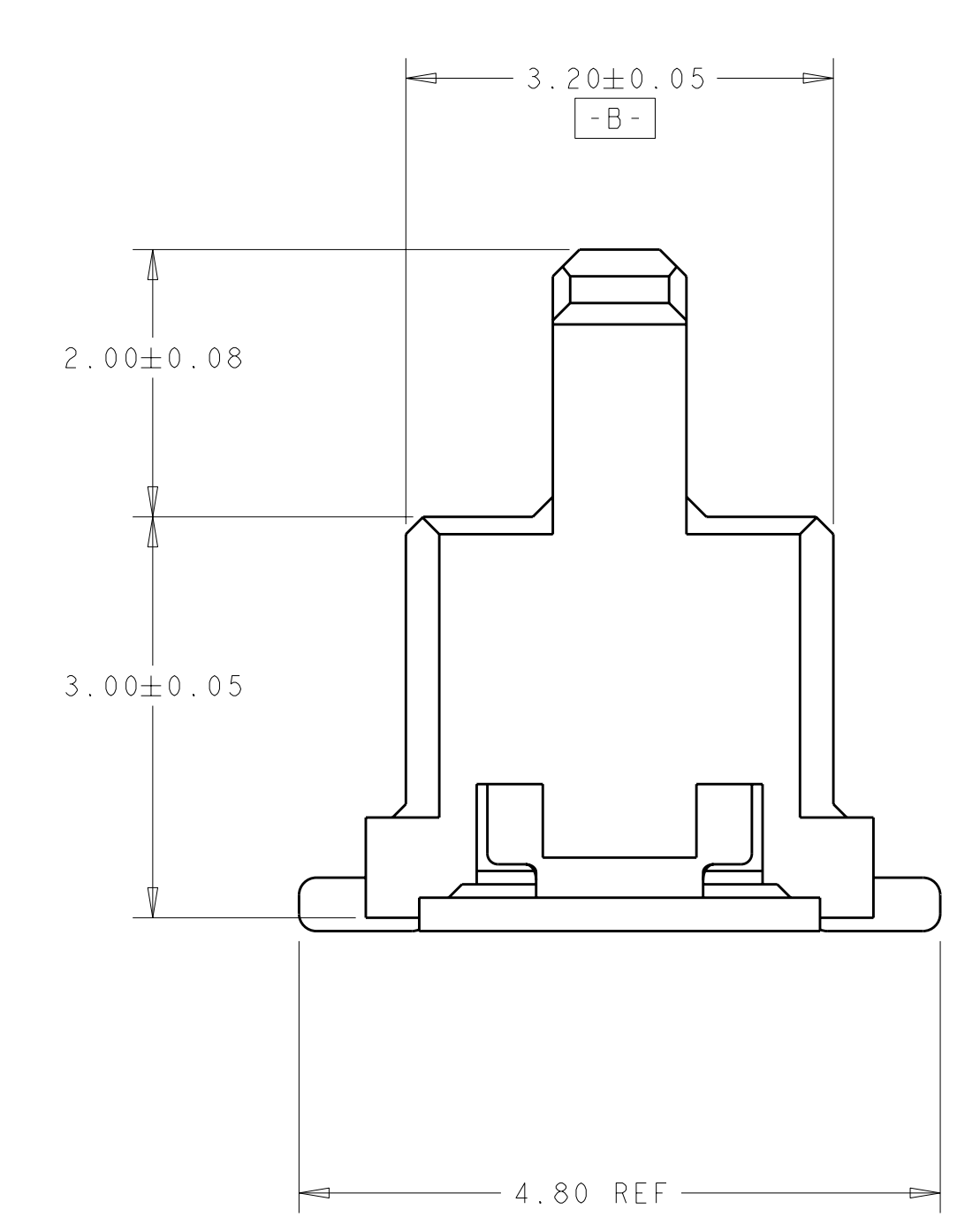
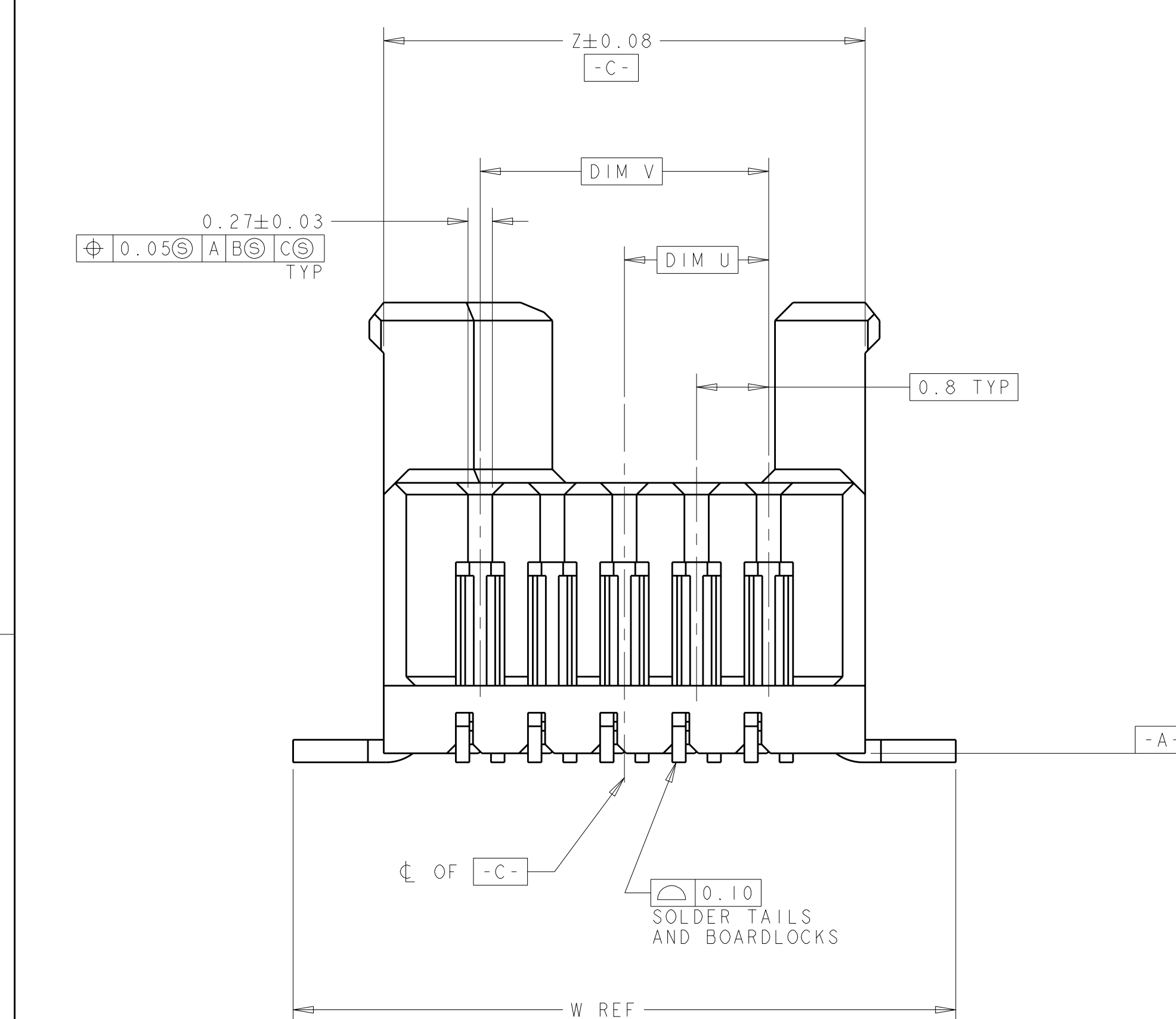
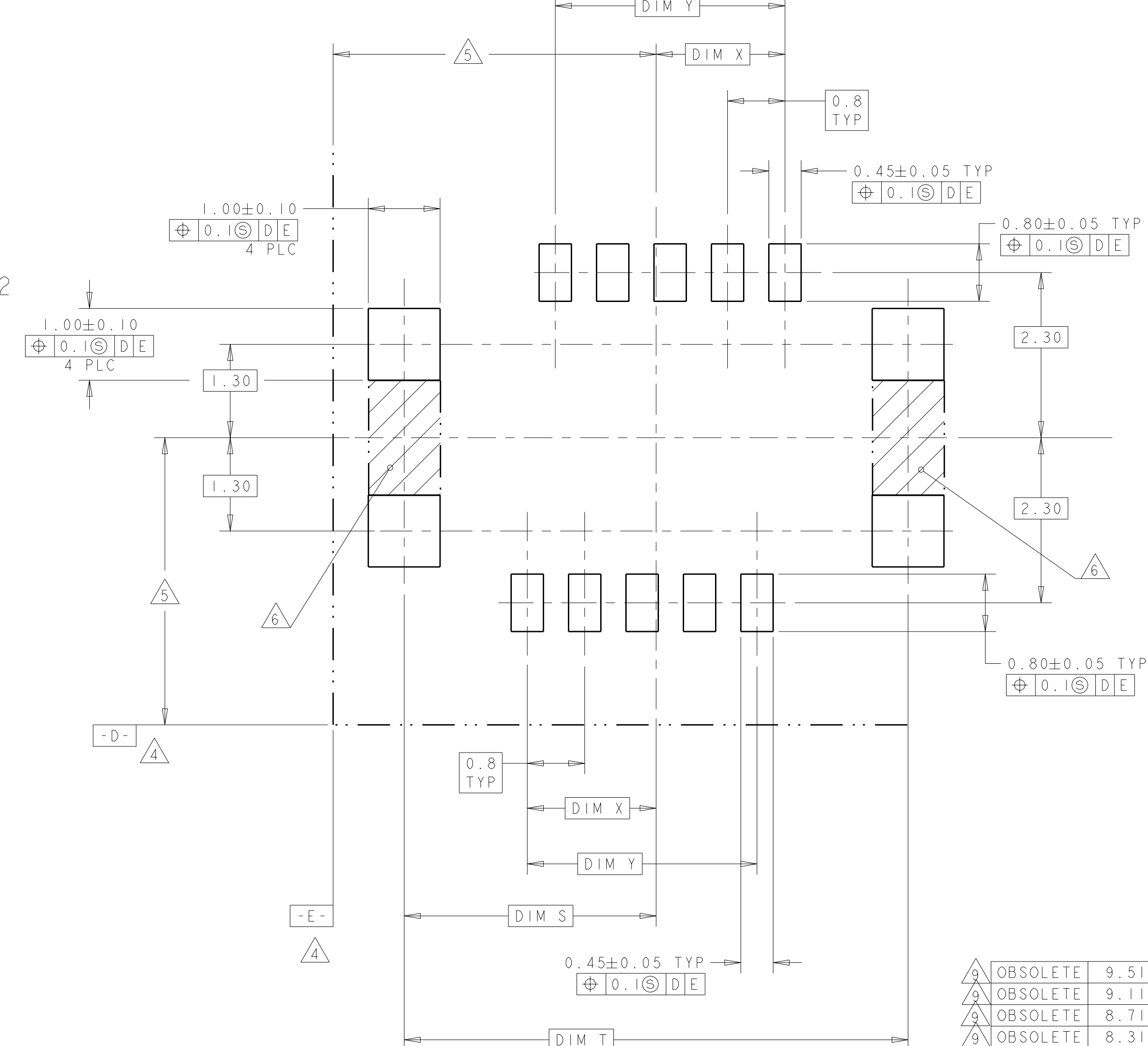
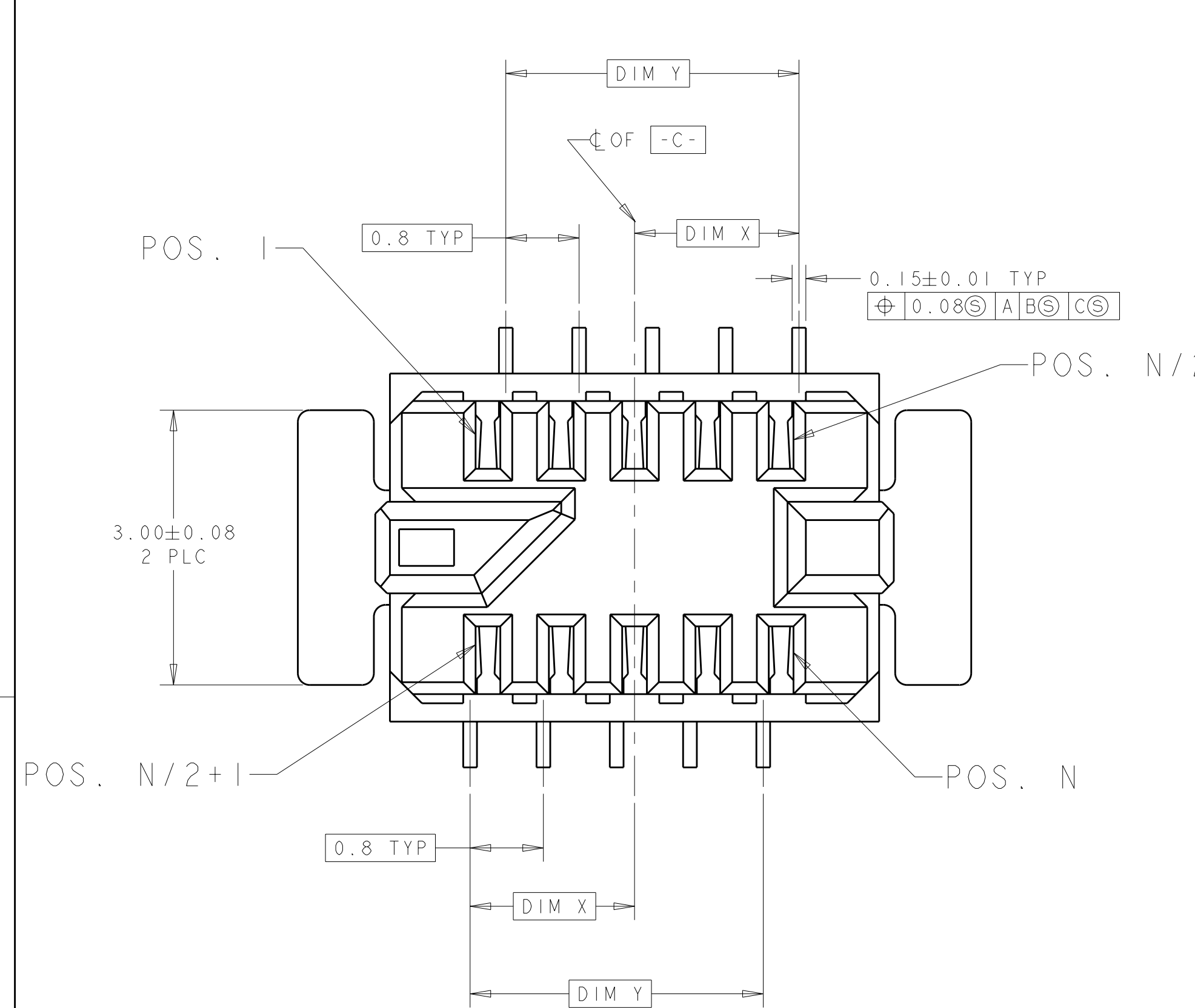


LOC	DIST	REV	DATE	BY	APPD
AD	00	B2	23MAR2011	RK	HMR



- △ HOUSING MATERIAL; UL94 V-0 RATED LCP, COLOR: NATURAL. CONTACT MATERIAL; PHOS BRONZE BOARDLOCK MATERIAL; BRASS
- △ CONTACT PLATING; 0.76 μm MIN GOLD IN MATING AREA 0.13 μm - 0.20 μm GOLD IN SOLDER AREA. BOTH OVER 1.27 μm MIN NICKEL ON ENTIRE STOCK.
- △ BOARDLOCK PLATING; 3.8 μm MIN BRIGHT TIN/LEAD ON ENTIRE STOCK OVER 1.27 μm MIN NICKEL ON ENTIRE STOCK.
- △ DATUMS ESTABLISHED BY CUSTOMER.
- △ BASIC DIMENSIONS ESTABLISHED BY CUSTOMER.
- △ NO TRACES ON EXTERNAL BOARD LAYER IN THIS AREA.
- △ BOARDLOCK PLATING; 3.8 μm MIN TIN ON ENTIRE STOCK OVER 1.27 μm MIN NICKEL ON ENTIRE STOCK
- △ ROHS 2002/95/EC COMPLIANT.
- △ OBSOLETE PARTS: OBSOLETE CIS STREAMLINING PER D.RENAUD/D.SINISI

NO. OF POS.	PART NUMBER	DIM S	DIM T	DIM U	DIM V	W REF	DIM X	DIM Y	Z	FINISH
40	6-1375870-8	9.51	19.02	7.6	15.2	19.35	7.795	15.2	17.34	△ 2 △ 7 △ 8
38	6-1375870-7	9.11	18.22	7.2	14.4	18.55	7.395	14.4	16.54	△ 2 △ 7 △ 8
36	6-1375870-6	8.71	17.42	6.8	13.6	17.75	6.995	13.6	15.74	△ 2 △ 7 △ 8
34	6-1375870-5	8.31	16.62	6.4	12.8	16.95	6.595	12.8	14.94	△ 2 △ 7 △ 8
32	6-1375870-4	7.91	15.82	6	12	16.15	6.195	12	14.14	△ 2 △ 7 △ 8
30	6-1375870-3	7.51	15.02	5.6	11.2	15.35	5.795	11.2	13.34	△ 2 △ 7 △ 8
28	6-1375870-2	7.11	14.22	5.2	10.4	14.55	5.395	10.4	12.54	△ 2 △ 7 △ 8
26	6-1375870-1	6.71	13.42	4.8	9.6	13.75	4.995	9.6	11.74	△ 2 △ 7 △ 8
24	6-1375870-0	6.31	12.62	4.4	8.8	12.95	4.595	8.8	10.94	△ 2 △ 7 △ 8
22	5-1375870-9	5.91	11.82	4	8	12.15	4.195	8	10.14	△ 2 △ 7 △ 8
20	5-1375870-8	5.51	11.02	3.6	7.2	11.35	3.795	7.2	9.34	△ 2 △ 7 △ 8
18	5-1375870-7	5.11	10.22	3.2	6.4	10.55	3.395	6.4	8.54	△ 2 △ 7 △ 8
16	5-1375870-6	4.71	9.42	2.8	5.6	9.75	2.995	5.6	7.74	△ 2 △ 7 △ 8
14	5-1375870-5	4.31	8.62	2.4	4.8	8.95	2.595	4.8	6.94	△ 2 △ 7 △ 8
12	5-1375870-4	3.91	7.82	2	4	8.15	2.195	4	6.14	△ 2 △ 7 △ 8
10	5-1375870-3	3.51	7.02	1.6	3.2	7.35	1.795	3.2	5.34	△ 2 △ 7 △ 8
8	5-1375870-2	3.11	6.22	1.2	2.4	6.55	1.395	2.4	4.54	△ 2 △ 7 △ 8
6	5-1375870-1	2.71	5.42	0.8	1.6	5.75	0.995	1.6	3.74	△ 2 △ 7 △ 8
40	1-1375870-8	9.51	19.02	7.6	15.2	19.35	7.795	15.2	17.34	△ 2 △ 3
38	1-1375870-7	9.11	18.22	7.2	14.4	18.55	7.395	14.4	16.54	△ 2 △ 3
36	1-1375870-6	8.71	17.42	6.8	13.6	17.75	6.995	13.6	15.74	△ 2 △ 3
34	1-1375870-5	8.31	16.62	6.4	12.8	16.95	6.595	12.8	14.94	△ 2 △ 3
32	1-1375870-4	7.91	15.82	6	12	16.15	6.195	12	14.14	△ 2 △ 3
30	1-1375870-3	7.51	15.02	5.6	11.2	15.35	5.795	11.2	13.34	△ 2 △ 3
28	1-1375870-2	7.11	14.22	5.2	10.4	14.55	5.395	10.4	12.54	△ 2 △ 3
26	1-1375870-1	6.71	13.42	4.8	9.6	13.75	4.995	9.6	11.74	△ 2 △ 3
24	1-1375870-0	6.31	12.62	4.4	8.8	12.95	4.595	8.8	10.94	△ 2 △ 3
22	1375870-9	5.91	11.82	4	8	12.15	4.195	8	10.14	△ 2 △ 3
20	1375870-8	5.51	11.02	3.6	7.2	11.35	3.795	7.2	9.34	△ 2 △ 3
18	1375870-7	5.11	10.22	3.2	6.4	10.55	3.395	6.4	8.54	△ 2 △ 3
16	1375870-6	4.71	9.42	2.8	5.6	9.75	2.995	5.6	7.74	△ 2 △ 3
14	1375870-5	4.31	8.62	2.4	4.8	8.95	2.595	4.8	6.94	△ 2 △ 3
12	1375870-4	3.91	7.82	2	4	8.15	2.195	4	6.14	△ 2 △ 3
10	1375870-3	3.51	7.02	1.6	3.2	7.35	1.795	3.2	5.34	△ 2 △ 3
8	1375870-2	3.11	6.22	1.2	2.4	6.55	1.395	2.4	4.54	△ 2 △ 3
6	1375870-1	2.71	5.42	0.8	1.6	5.75	0.995	1.6	3.74	△ 2 △ 3

THIS DRAWING IS A CONTROLLED DOCUMENT. DWG: W. KOEGL 07JUN2000, CHK: W. DAVIS 07JUN2000, APPD: -

DIMENSIONS: mm. TOLERANCES UNLESS OTHERWISE SPECIFIED: 9 PLC ±, 5 PLC ±, 4 PLC ±, ANGLES ±.

MATERIAL: △. FINISH: SEE TABLE.

PRODUCT SPEC: 108-1955. APPLICATION SPEC: 114-13051. WEIGHT: -. CUSTOMER DRAWING.

STE TE Connectivity. AMPMODU MICRO INTERCONNECT RECEPTACLE ASSEMBLY. SIZE: A100779. CAGE CODE: C=1375870. SCALE: 20:1. SHEET 1 OF 1. REV: B2.

单击下面可查看定价，库存，交付和生命周期等信息

[>>TE Connectivity\(泰科\)](#)