

THIS DRAWING IS UNPUBLISHED.

RELEASED FOR PUBLICATION

REVISIONS

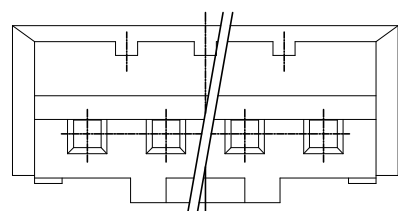
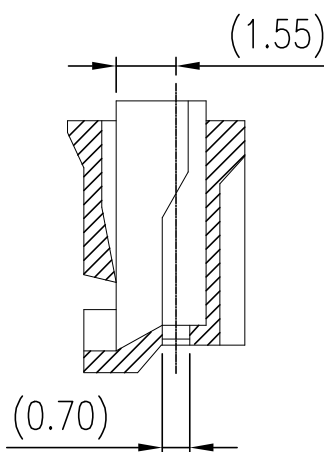
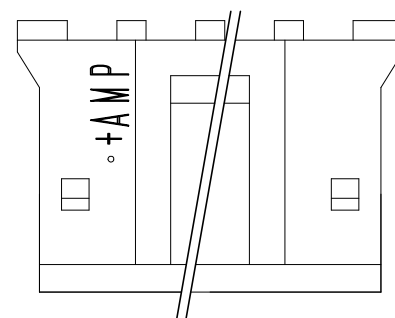
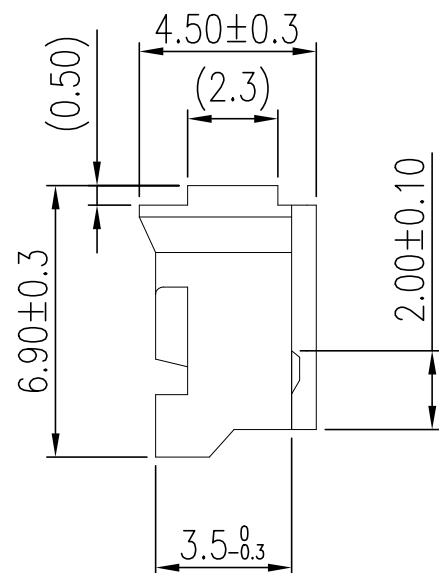
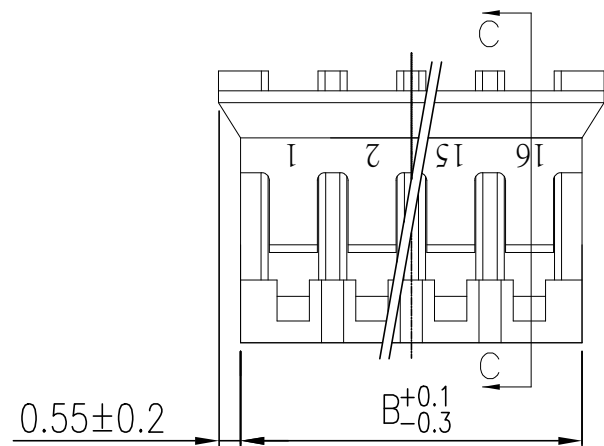
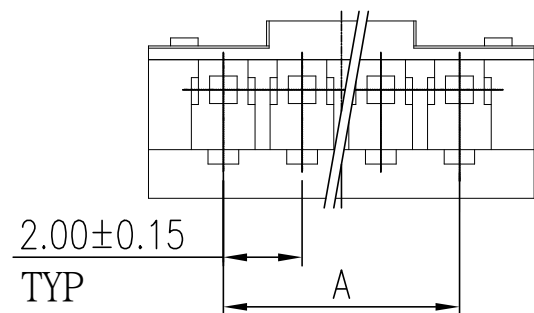
© COPYRIGHT - TE Connectivity Ltd.

ALL RIGHTS RESERVED.

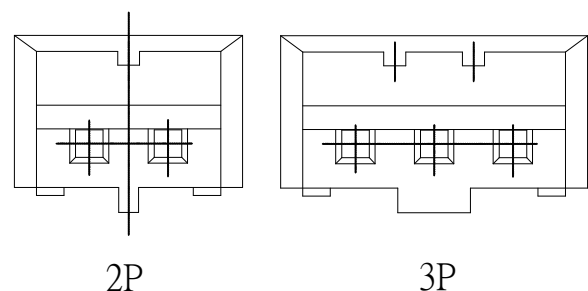
P	LTR	DESCRIPTION	DATE	DWN	APVD
	D5	ECR-19-006475	29APR19	T.Q	W.H

NOTES:

1. MATERIAL:
HOUSING: THERMOPLASTIC, UL94V-0, COLOR:SEE TABLE.



4P~16P



2P

3P

COLOR	B	A	POS	PART NUMBER	COLOR	B	A	POS	PART NUMBER
BROWN	10.70	8.00	5P	7-440129-5					
GREEN	22.80	20.00	11P	9-440129-1					
GREEN	10.70	8.00	5P	9-440129-5					
GREEN	8.70	6.00	4P	9-440129-4					
GREEN	6.70	4.00	3P	9-440129-3					
RED	10.70	8.00	5P	8-440129-5					
RED	8.70	6.00	4P	8-440129-4					
RED	6.70	4.00	3P	8-440129-3					
BLACK	10.70	8.00	5P	6-440129-5					
BLACK	8.70	6.00	4P	6-440129-4					
BLACK	6.70	4.00	3P	6-440129-3					
BLACK	4.70	2.00	2P	6-440129-2					
YELLOW	24.80	22.00	12P	5-440129-2					
YELLOW	22.80	20.00	11P	5-440129-1					
YELLOW	20.80	18.00	10P	5-440129-0					
YELLOW	18.80	16.00	9P	4-440129-9					
YELLOW	16.80	14.00	8P	4-440129-8					
YELLOW	14.80	12.00	7P	4-440129-7					
YELLOW	12.70	10.00	6P	4-440129-6					
YELLOW	10.70	8.00	5P	4-440129-5					
YELLOW	8.70	6.00	4P	4-440129-4					
YELLOW	6.70	4.00	3P	4-440129-3					
YELLOW	4.70	2.00	2P	4-440129-2					
BLUE	10.70	8.00	5P	2-440129-5					
BLUE	8.70	6.00	4P	2-440129-4					
BLUE	6.70	4.00	3P	2-440129-3					
BLUE	4.70	2.00	2P	2-440129-2					
NATURAL	32.80	30.00	16P	1-440129-6					
NATURAL	30.80	28.00	15P	1-440129-5					
NATURAL	28.80	26.00	14P	1-440129-4					
NATURAL	26.80	24.00	13P	1-440129-3					
NATURAL	24.80	22.00	12P	1-440129-2					
NATURAL	22.80	20.00	11P	1-440129-1					
NATURAL	20.80	18.00	10P	1-440129-0					
NATURAL	18.80	16.00	9P	440129-9					
NATURAL	16.80	14.00	8P	440129-8					
NATURAL	14.80	12.00	7P	440129-7					
NATURAL	12.70	10.00	6P	440129-6					
NATURAL	10.70	8.00	5P	440129-5					
NATURAL	8.70	6.00	4P	440129-4					
NATURAL	6.70	4.00	3P	440129-3					
NATURAL	4.70	2.00	2P	440129-2					

THIS DRAWING IS A CONTROLLED DOCUMENT.

DWN Tommy Qian 17OCT2018
CHK Wenke He 17OCT2018
APVD Wenke He 17OCT2018

TE Connectivity Ltd.

2.0MM PITCH HPI CRIMP HOUSING

SIZE A3 CAGE CODE 00779 DRAWING NO C=440129 RESTRICTED TO

CUSTOMER DRAWING SCALE 1:1 SHEET 1 OF 2 REV D5

DIMENSIONS:	TOLERANCES UNLESS OTHERWISE SPECIFIED:
mm	
0 PLC	± 0.3
1 PLC	± 0.25
2 PLC	± 0.15
3 PLC	± 0.05
4 PLC	± -
ANGLES	± -

MATERIAL	FINISH
-	-

THIS DRAWING IS UNPUBLISHED.

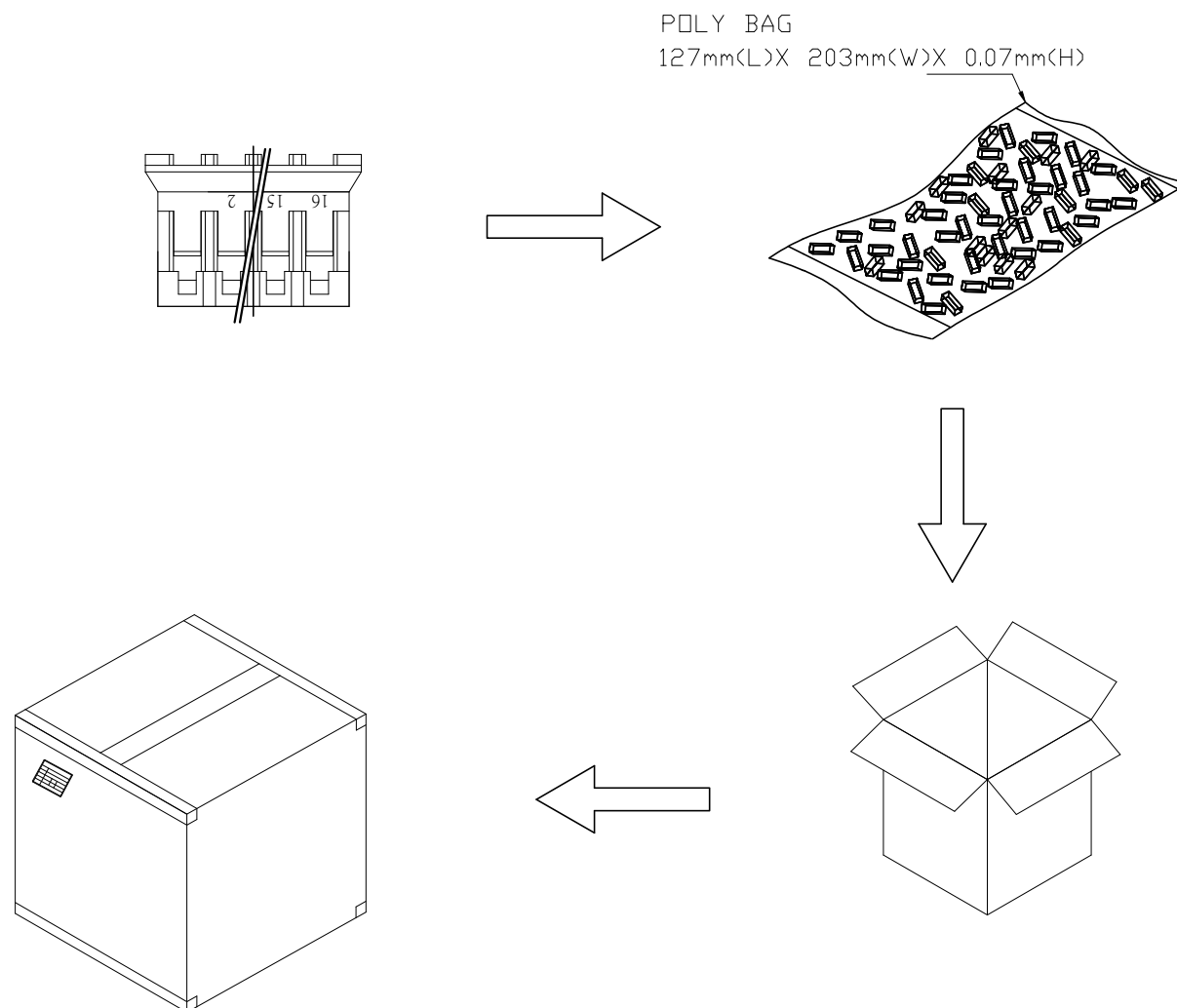
RELEASED FOR PUBLICATION

REVISIONS

© COPYRIGHT - TE Connectivity Ltd.

ALL RIGHTS RESERVED.

P	LTR	DESCRIPTION	DATE	DWN	APVD
-	-	SEE SHEET 1	-	-	-

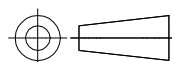


APQ (PCS/CARTON)	PPO (PCS/BAG)	POS	PART NUMBER	APQ (PCS/CARTON)	PPO (PCS/BAG)	POS	PART NUMBER
30,000	1,000	12P	8-440129-1	15,000	1,000	5P	7-440129-5
50,000	1,000	8P	8-440129-8	35,000	1,000	11P	9-440129-1
				15,000	1,000	5P	9-440129-5
				36,000	2,000	4P	9-440129-4
				20,000	1,000	3P	9-440129-3
				15,000	1,000	5P	8-440129-5
				18,000	1,000	4P	8-440129-4
				20,000	1,000	3P	8-440129-3
				36,000	2,000	2P	8-440129-2
				15,000	1,000	5P	6-440129-5
				18,000	1,000	4P	6-440129-4
				20,000	1,000	3P	6-440129-3
				36,000	2,000	2P	6-440129-2
				30,000	1,000	12P	5-440129-2
				35,000	1,000	11P	5-440129-1
				40,000	1,000	10P	5-440129-0
				45,000	1,000	9P	4-440129-9
				50,000	1,000	8P	4-440129-8
				10,000	1,000	7P	4-440129-7
				12,000	1,000	6P	4-440129-6
				15,000	1,000	5P	4-440129-5
				18,000	1,000	4P	4-440129-4
				20,000	1,000	3P	4-440129-3
				36,000	2,000	2P	4-440129-2
				15,000	1,000	5P	2-440129-5
				18,000	1,000	4P	2-440129-4
45,000	1,000	9P	2-440129-9	20,000	1,000	3P	2-440129-3
50,000	1,000	8P	2-440129-8	36,000	2,000	2P	2-440129-2
				25,000	1,000	16P	1-440129-6
				25,000	1,000	15P	1-440129-5
				25,000	1,000	14P	1-440129-4
				30,000	1,000	13P	1-440129-3
				30,000	1,000	12P	1-440129-2
				35,000	1,000	11P	1-440129-1
				40,000	1,000	10P	1-440129-0
				45,000	1,000	9P	440129-9
				50,000	1,000	8P	440129-8
				10,000	1,000	7P	440129-7
				12,000	1,000	6P	440129-6
				15,000	1,000	5P	440129-5
				18,000	1,000	4P	440129-4
				20,000	1,000	3P	440129-3
				36,000	2,000	2P	440129-2

CARTON
320mm(L)x220mm(W)x140mm(H)
(FOR HEADER 2P~5P ONLY)
340mm(L)x470mm(W)x316mm(H)
(FOR HEADER 6P~16P ONLY)

THIS DRAWING IS A CONTROLLED DOCUMENT.

DIMENSIONS:
mm



TOLERANCES UNLESS OTHERWISE SPECIFIED:

0 PLC	± 0.3
1 PLC	± 0.25
2 PLC	± 0.15
3 PLC	± 0.05
4 PLC	± -
ANGLES	± -

MATERIAL: -

FINISH: -

DWN Tommy Qian 17OCT2018

CHK Wenke He 17OCT2018

APVD Wenke He 17OCT2018

PRODUCT SPEC: -

APPLICATION SPEC: -

WEIGHT: -

CUSTOMER DRAWING



2.0MM PITCH HPI
CRIMP HOUSING

SIZE	CAGE CODE	DRAWING NO	RESTRICTED TO
A3	00779	C=440129	-

SCALE 1:1 SHEET 2 OF 2 REV D5

单击下面可查看定价，库存，交付和生命周期等信息

[>>TE Connectivity\(泰科\)](#)