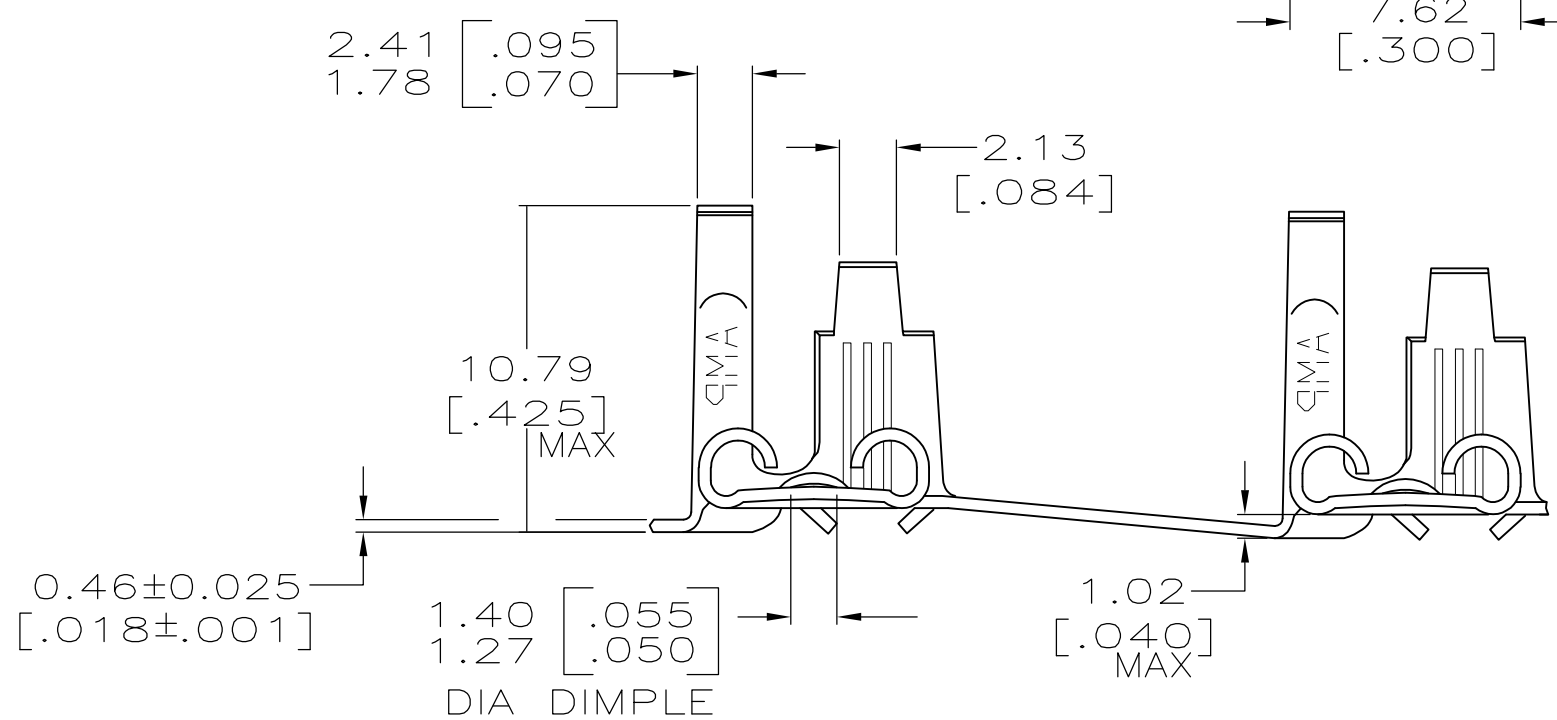
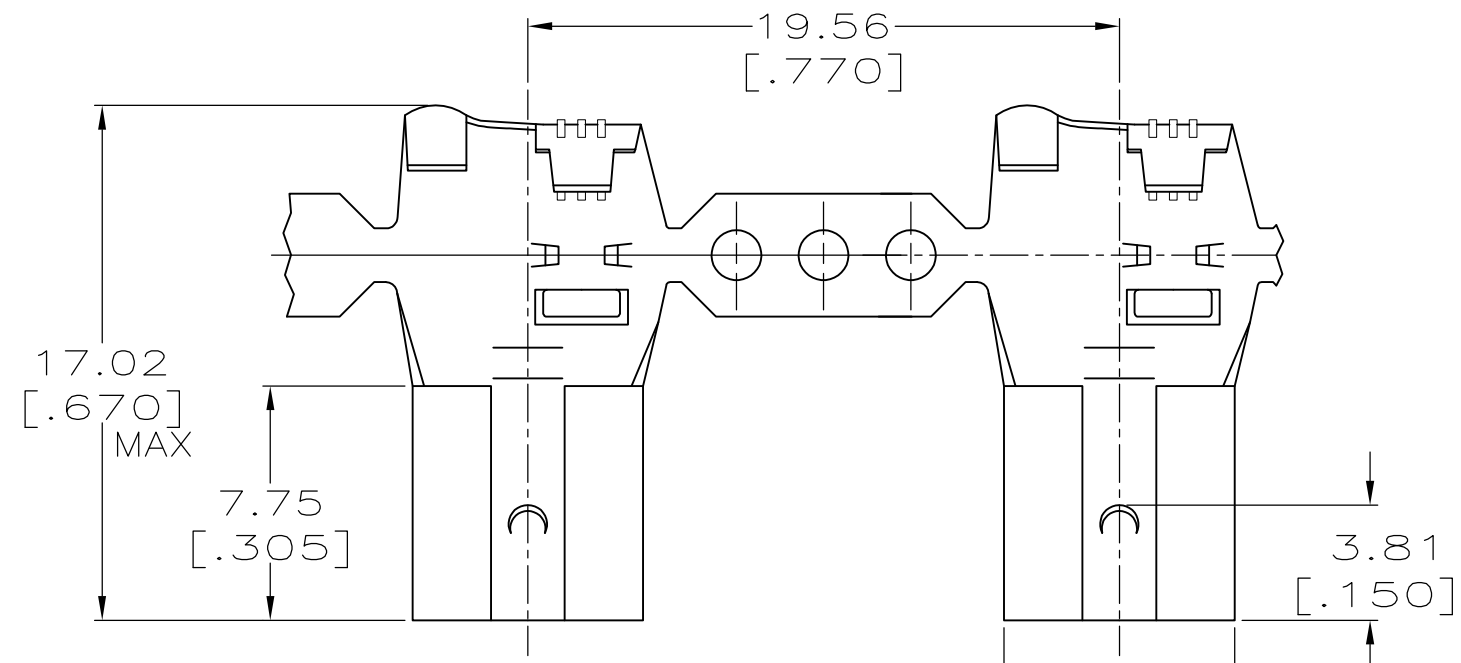



THIS DRAWING IS UNPUBLISHED. RELEASED FOR PUBLICATION  
 © COPYRIGHT - By - ALL RIGHTS RESERVED.

LOC	DIST	REVISIONS					
		P	LTR	DESCRIPTION	DATE	DWN	APVD
AF	50		Y	REVISED PER ECR-12-013445	09NOV12	KH	PD

- 1 CONTINUOUS STRIP ON REELS
- 2 WIRE SIZE IS FOR AN [#18-#12] AWG.
- 3 INSULATION RANGE 2.79-5.33 [.110-.210] DIA.
- 4 MATING TAB THICKNESS TO BE  $0.81 \pm 0.025$  [.032 ± .001]



60645-1  
PART NO.

THIS DRAWING IS A CONTROLLED DOCUMENT.		DWN	JR RUTH	8/11/95	 <b>TE Connectivity</b>	NAME		RECEPTACLE, FASTON, FLAG, 6.35 [.250] SERIES			
DIMENSIONS: mm [INCHES]		CHK	MS FEHER	8/11/95		PRODUCT SPEC		-			
TOLERANCES UNLESS OTHERWISE SPECIFIED:		APVD	P DESANTIS	8/11/95		APPLICATION SPEC		-			
0 PLC ± - 1 PLC ± - 2 PLC ± 0.38 [.015] 3 PLC ± - 4 PLC ± - ANGLES ± -		MATERIAL		FINISH		SIZE		CAGE CODE	DRAWING NO	RESTRICTED TO	
BRASS		-		-		A3		00779	C-60645	-	
CUSTOMER DRAWING						SCALE	4:1	SHEET	1 OF 1	REV	Y

单击下面可查看定价，库存，交付和生命周期等信息

[>>TE Connectivity\(泰科\)](#)