

THIS DRAWING IS UNPUBLISHED. RELEASED FOR PUBLICATION ALL RIGHTS RESERVED.

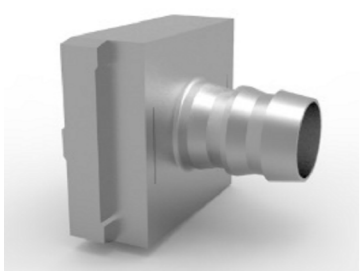
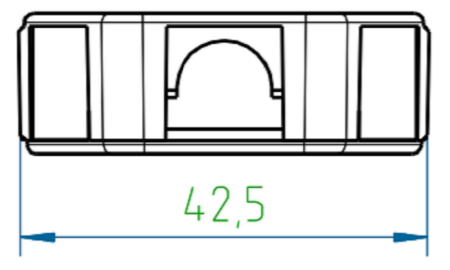
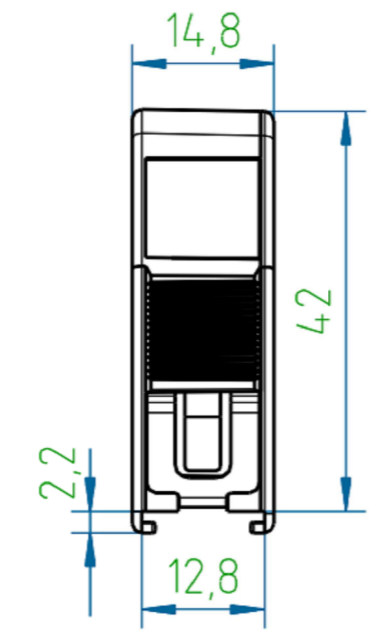
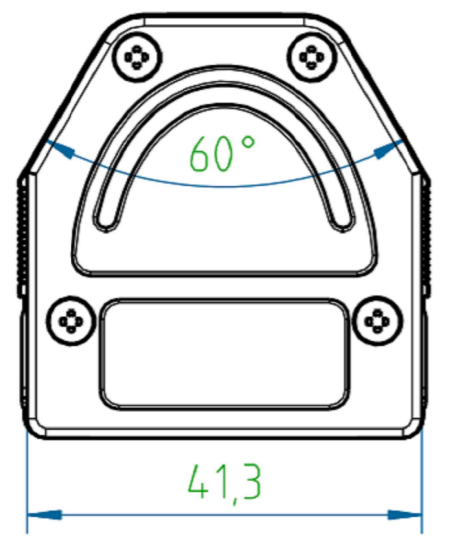
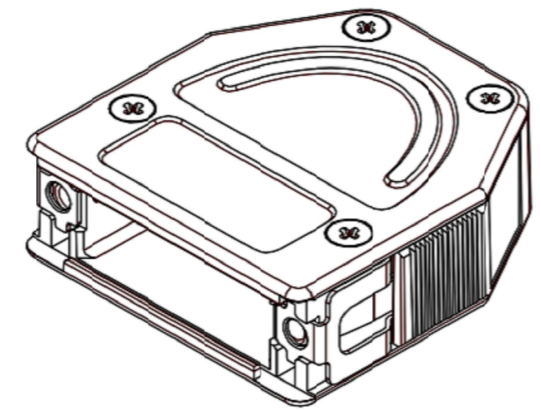
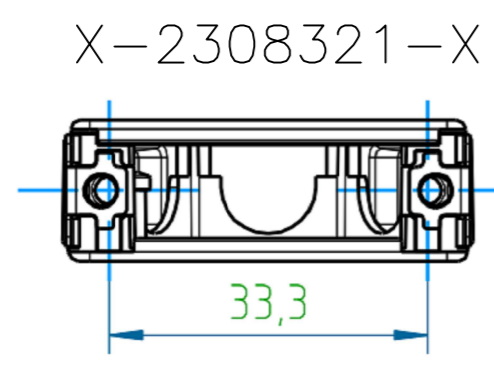
PROJECT	PRJ-16-000909157
PART NO.	X-2308321-X
DESCRIPTION	FULL METAL HOODS SIZE 2
CUSTOMER	GENERAL MARKET

REVISIONS					
P	LTR	DESCRIPTION	DATE	DWN	APVD
	A2	REVISED PER ECR-16-014891	20OCT2016	KK	GG

- NOTES:
1. TEMPERATURE: -40°C TO +90°C.
 2. STRAND DIAMETER OF CRIMP FLANGE: 2.7-8.7 mm.
 3. CABLE DIAMETER WITH EXTERNAL CABLE CLAMP: 4-14 mm.
 4. CABLE DIAMETER WITH INTERNAL CABLE CLAMP: d=4-10 mm (FOR d=4-7 mm TURN CABLE CLAMP).
 5. CABLE BUSHING FOR CABLE DIAMETER 4-9 mm.

- * CRIMP FLANGE PN *-2308349-* TO BE ORDERED SEPARATELY.
- * CRIMP BARREL TO BE USED IN COMBINATION WITH THE FLANGE PN *-2308350-* TO BE ORDERED SEPARATELY.
- * CABLE CLAMP SCREW VERSION PN *-2308272-* TO BE ORDERED SEPARATELY.

ASSY. PART NO.	DESCRIPTION	SUB-PART DESCRIPTION POS.1	POS. 3	POS. 5	POS. 6	POS. 7	WEIGHT, g
1-2308321-5	FULL METAL HOOD2 5	HOUSING 2	1	2	2	3	92
1-2308321-4	FULL METAL HOOD2 4	HOUSING 2	2	1	1	2	94
1-2308321-3	FULL METAL HOOD2 3	HOUSING 2	1	2	-	3	90
1-2308321-2	FULL METAL HOOD2 2	HOUSING 2	2	1	-	2	92
1-2308321-1	FULL METAL HOOD2 1	HOUSING 1	2	-	-	-	87



CRIMP FLANGE

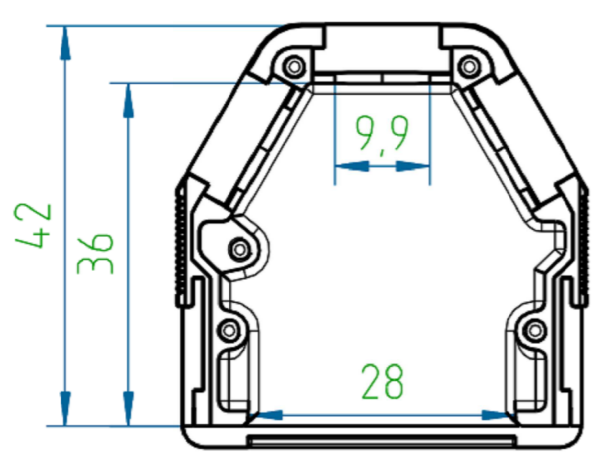


CRIMP BARREL

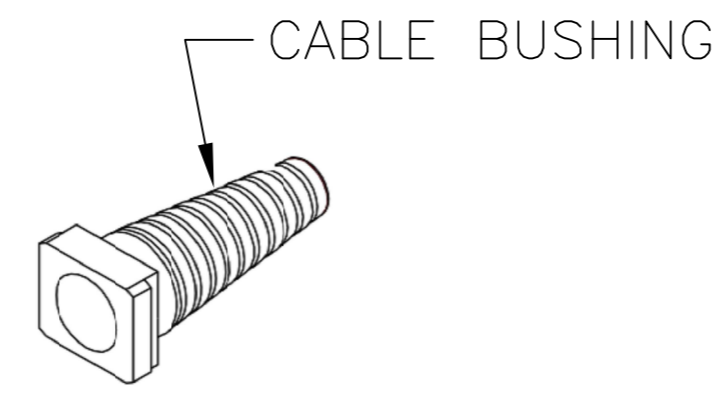
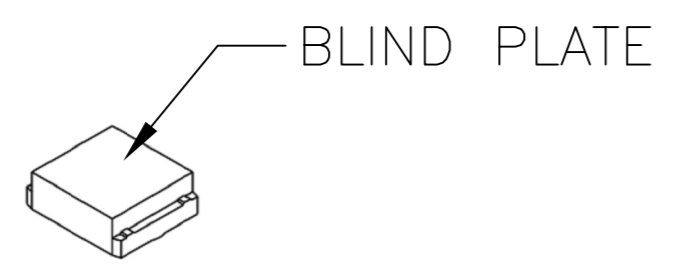
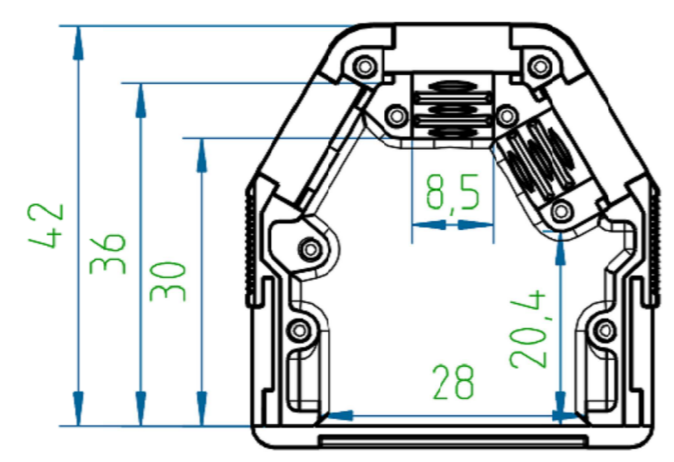


CABLE CLAMP

HOUSING 1



HOUSING 2



	9	1	-	SCREW M2.5x5 (CASE HARDENING STEEL, ZINC-PLATED)	
	8	4	-	SCREW M2.5x6.5 (CASE HARDENING STEEL, ZINC-PLATED)	
	7	SEE TAB. POS.7	-	SCREW M2.5x6 (CASE HARDENING STEEL, ZINC-PLATED)	
	6	SEE TAB. POS.6	-	CABLE BUSHING (EPTR SANTOPRENE)	
	5	SEE TAB. POS.5	-	CABLE CLAMP (BAND STEEL, ZINC-PLATED)	
	4	2	-	CATCH SPRING (STAINLESS STEEL, RAW)	
	3	SEE TAB. POS.3	-	BLIND PLATE (ZINC ALLOY, RAW)	
	2	1	-	COVER (ZINC ALLOY, RAW)	
	1	1	SEE TAB. POS.1	HOUSING (ZINC ALLOY, RAW)	
SL NO.	QTY	ASSY. PART NO.	DESCRIPTION (MATERIAL, FINISH)		

THIS DRAWING IS A CONTROLLED DOCUMENT.

DIMENSIONS: mm

TOLERANCES UNLESS OTHERWISE SPECIFIED: DIN ISO 2768 m

0 PLC ± -
1 PLC ± -
2 PLC ± -
3 PLC ± -
4 PLC ± -
ANGLES ± -

MATERIAL: - FINISH: -

DWN: KIRAN K 03AUG2016
CHK: GUNASEKHAR G 03AUG2016
APVD: GUNASEKHAR G 03AUG2016

TE Connectivity
FULL METAL HOODS SIZE 2

SIZE: A2 CAGE CODE: 00779 DRAWING NO: C-2308321 RESTRICTED TO: -

CUSTOMER DRAWING SCALE: NTS SHEET: 1 of 1 REV: A2

单击下面可查看定价，库存，交付和生命周期等信息

[>>TE Connectivity\(泰科\)](#)