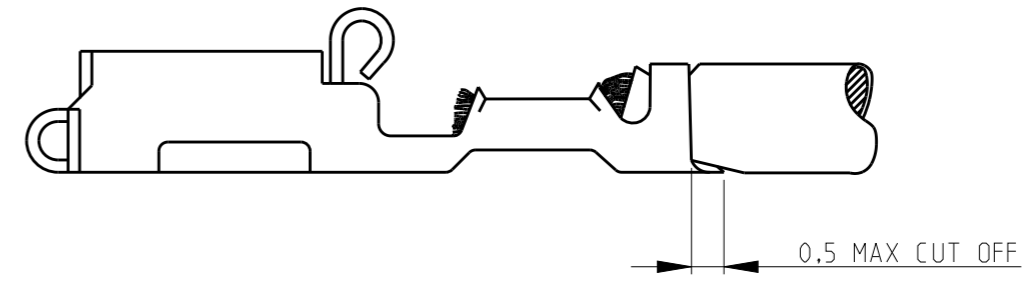
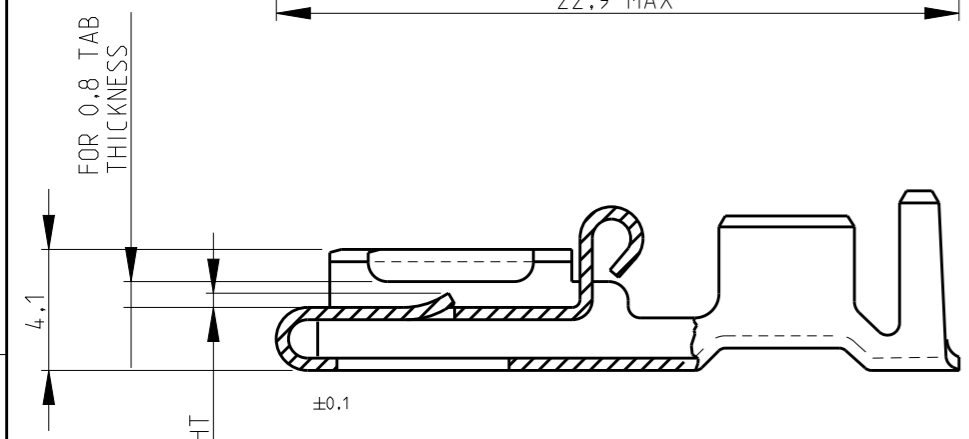
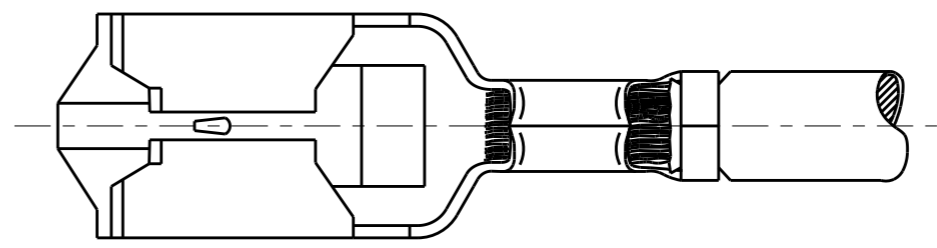
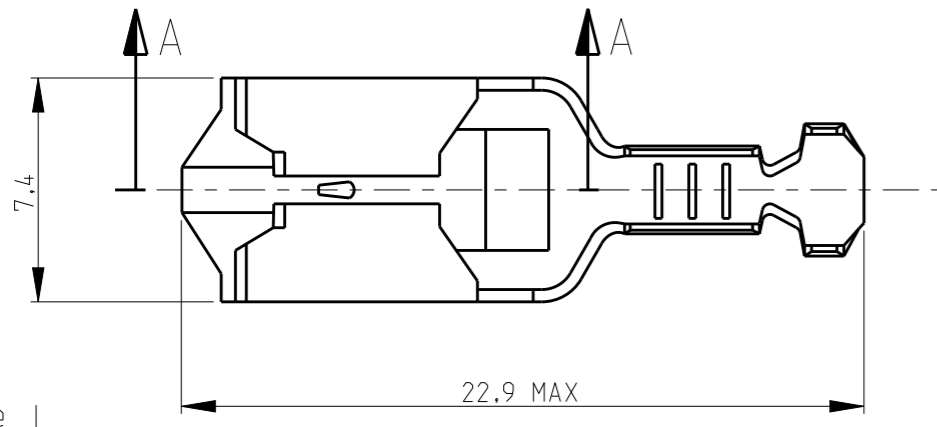


THIS DRAWING IS UNPUBLISHED. RELEASED FOR PUBLICATION
 © COPYRIGHT BY TYCO ELECTRONICS CORPORATION. ALL RIGHTS RESERVED.

LOC	DIST	REVISIONS				
P	LTR	DESCRIPTION	DATE	DWN	APVD	
AL	2	E	REVISED ES00-0142-02	22OCT2002	JL	JL
		F	REVISED BY ECN 05-0095	12JAN06	J.L	J.L
		F2	REVISED PER ECR-16-001995	11FEB2016	BW	MD
		F3	REVISED PER ECR-20-005366	23APR2020	SS	DL



OBSOLETE	2-160759-7	TIN-LEAD	PH.BRONZE	1-160773-1
	2-160759-1	NICKEL PLATED	PH.BRONZE	1-160773-0
	1-160759-2	HOT DIP PRETIN.	PH.BRONZE	0-160773-7
	1-160759-1	HOT DIP PRETIN.	BRASS	0-160773-6
OBSOLETE	160759-5	PRETINNED	PH.BRONZE	0-160773-5
	160759-4	TIN PLATED	PH.BRONZE	0-160773-4
	160759-3	TIN PLATED	BRASS	0-160773-3
	160759-2	UNPLATED	PH.BRONZE	0-160773-2
	160759-1	UNPLATED	BRASS	0-160773-1
	STRIP NO.	FINISH	MATERIAL	PARTNUMBER

WIRE SIZE	INS. RANGE
0,5-1,5 mm ²	2,3-3,3 mm dia

THIS DRAWING IS A CONTROLLED DOCUMENT FOR TYCO ELECTRONICS CORPORATION. IT IS SUBJECT TO CHANGE AND THE CONTROLLING ENGINEERING ORGANIZATION SHOULD BE CONTACTED FOR THE LATEST REVISION.

DIMENSIONS:	TOLERANCES UNLESS OTHERWISE SPECIFIED:	DWN	02APR02		
mm	0 PLC ±-	CHK	02APR02		
	1 PLC ±-	APVD	-		
	2 PLC ±GENERAL	PRODUCT SPEC	108-3017		
MATERIAL	FINISH	APPLICATION SPEC	114-2153	NAME	POSITIVE LOCK RECEPTACLE MK1 LOOSE PIECE
see table	see table	WEIGHT	-	SIZE	A3
		CUSTOMER DRAWING		CAGE CODE	00779
				DRAWING NO	160773
				RESTRICTED TO	
				SCALE	-
				SHEET	1 OF 1
				REV	F3

单击下面可查看定价，库存，交付和生命周期等信息

[>>TE Connectivity\(泰科\)](#)