

4

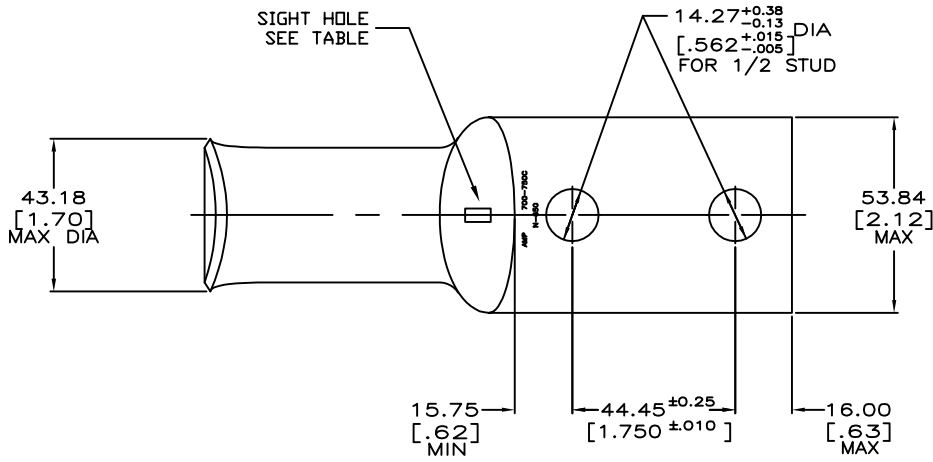
3

2

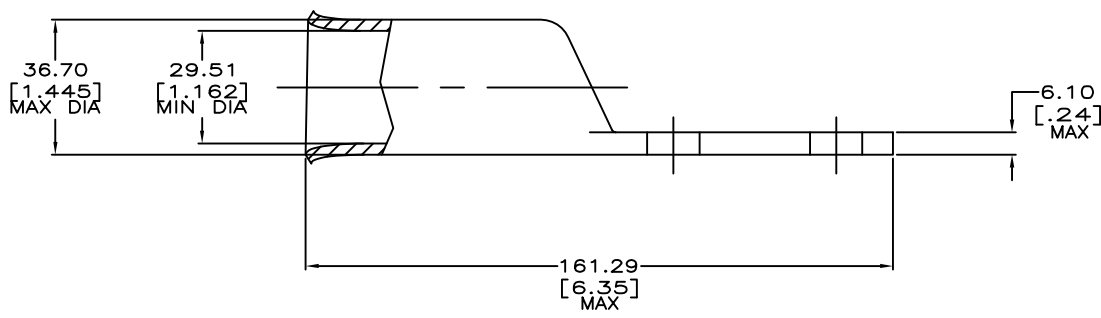
1

THIS DRAWING IS UNPUBLISHED. RELEASED FOR PUBLICATION. ALL RIGHTS RESERVED. COPYRIGHT - PK

LOC	DIST	REVISIONS			
P	LTR	DESCRIPTION	DATE	DM	APD
G	86	E	ECR-12-021694	18DEC2012	PK HS



- 1 CIRCULAR MIL RANGE: 650-750 MCM
- 2 TIN PL 0.00381[.000150] MIN THK PER ASTM B-545
- 3 CIRCULAR MIL RANGE: 650-750 MCM
- E 4 PART WITHOUT TIN PLATING.



E	REQUIRED	4	53686-4
	REQUIRED	3	53686-3
	---		53686-2
	SIGHT HOLE		PART NO.

THIS DRAWING IS A CONTROLLED DOCUMENT.		DWG DK SCHRUM 02/28/90		TE Connectivity	
DIMENSIONS: MM [INCHES]		TOLERANCES UNLESS OTHERWISE SPECIFIED:		APD MS FEHER 24JAN95	
0 PLC ± -		1 PLC ± -		NAME	
2 PLC ± 0.51[.020]		3 PLC ± -		PRODUCT SPEC	
4 PLC ± -		FINISH		108-30200	
MATERIAL ANNEALED COPPER PER ASTM B-75		ANGLES		APPLICATION SPEC	
		FINISH		SIZE CAGE CODE DRAWING NO RESTRICTED TO	
		WEIGHT .871 LB		A2 00779 C=53686	
		CUSTOMER DRAWING		SCALE 1:1 SHEET 1 of 1 REV E	

53686

单击下面可查看定价，库存，交付和生命周期等信息

[>>TE Connectivity\(泰科\)](#)