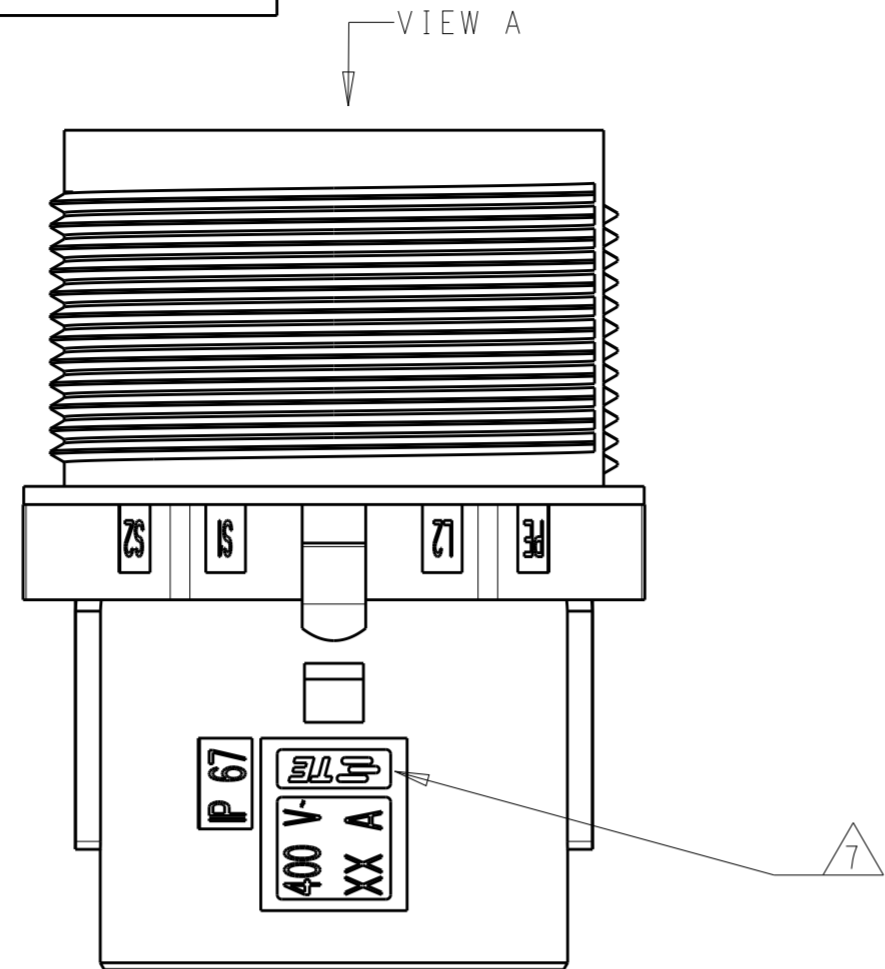
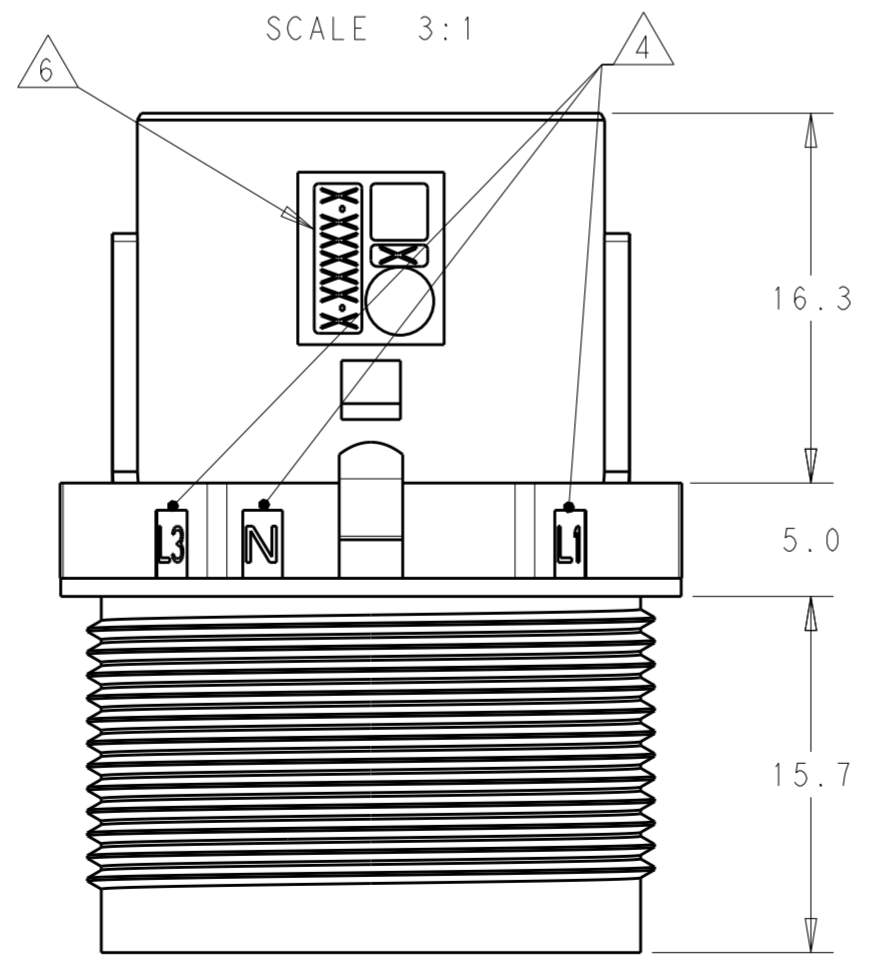
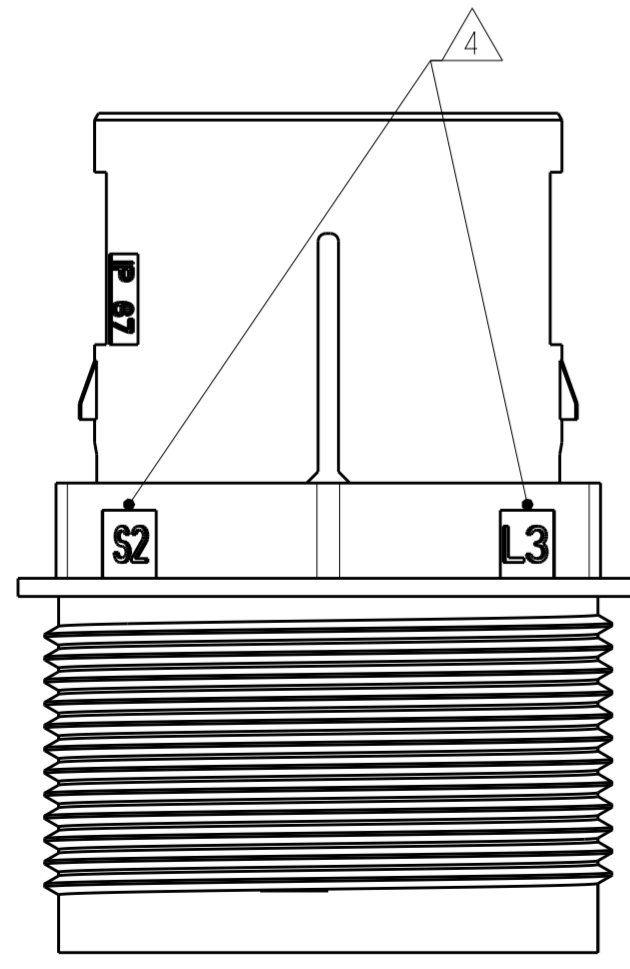
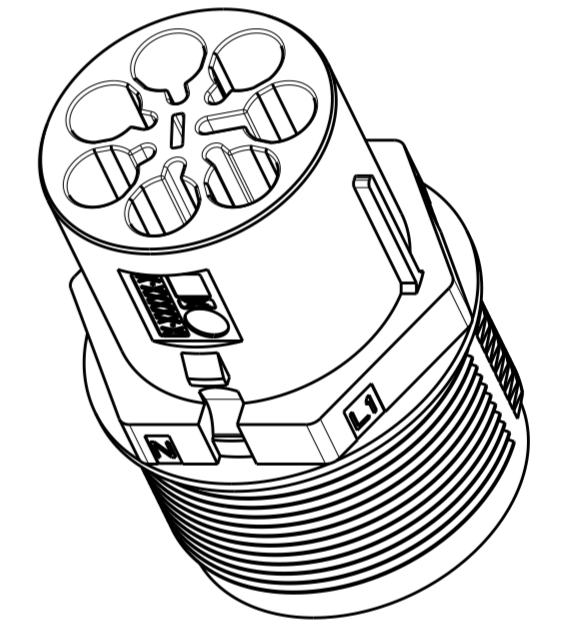
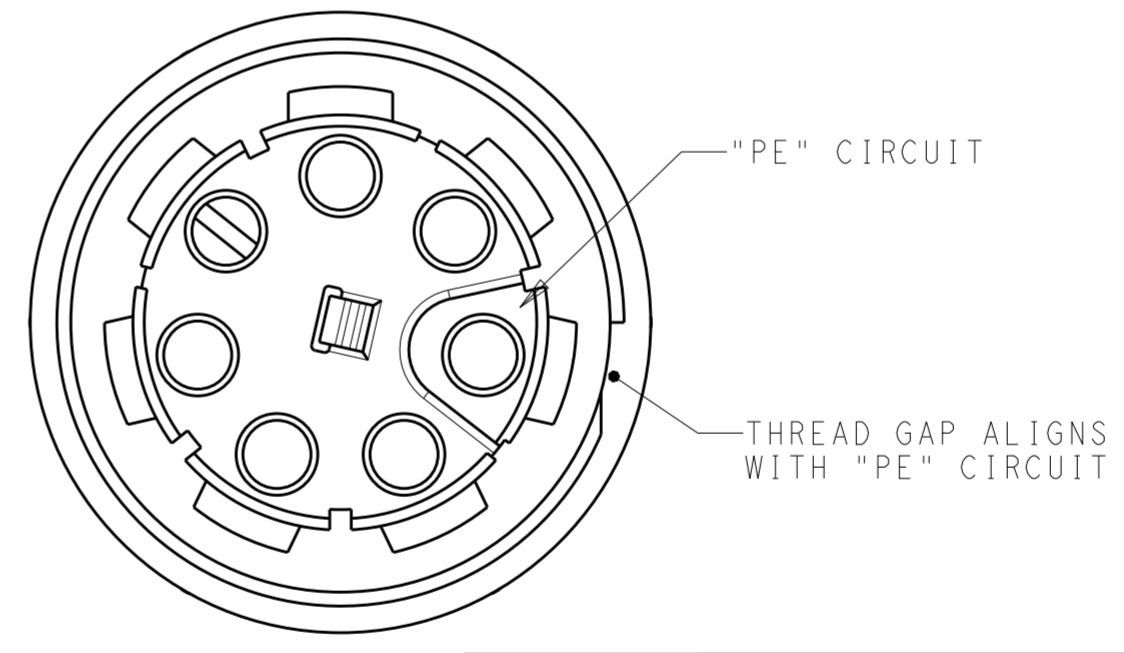
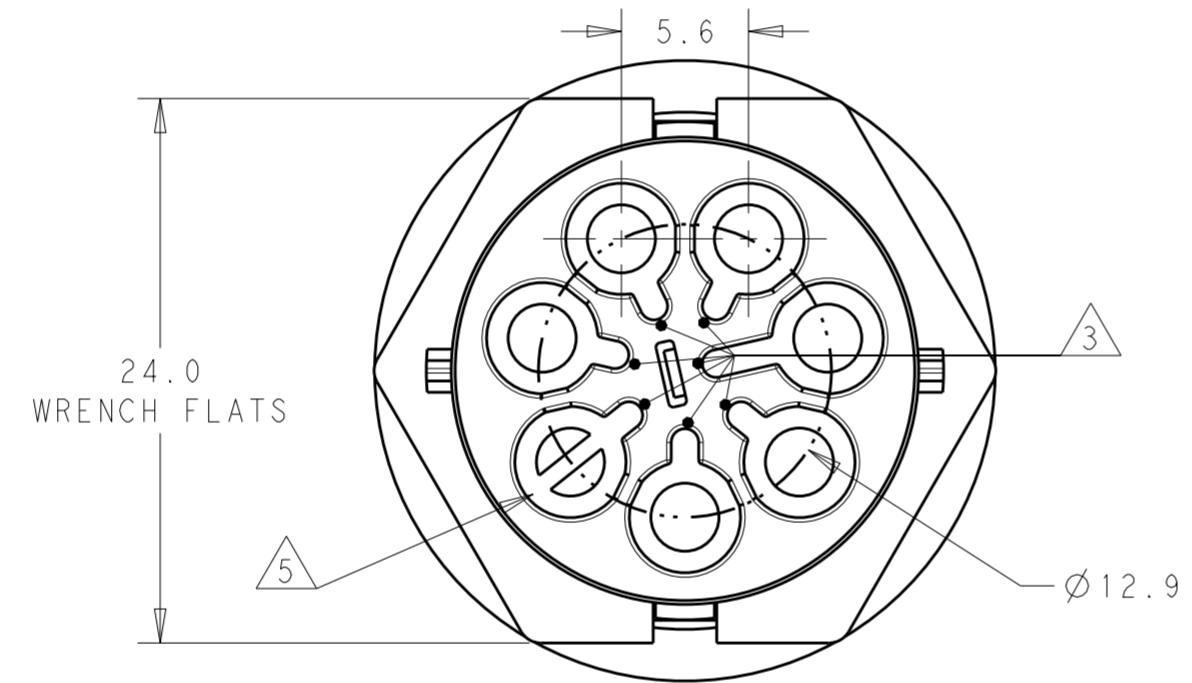


REVISIONS				
P	LTR	DESCRIPTION	DATE	APVD
A		REVISED AS PER ECR-15-005925	21APR2015	RS JL
A1		ECR-18-006945	02JUL2018	SR MZ



- NOTES:
- MATERIAL: GLASS FILLED PBT, COLOR: BLACK
 - MUST COMPLY WITH DIRECTIVE 2002/95/EC (ROHS)
 - ALL POLARIZATION KEYS SHOWN FOR REF ONLY.
 - CIRCUIT I.D.
 - CIRCUIT "L3" IS BLOCKED TO PREVENT CONTACT INSTALLATION.
 - TE PART NUMBER
 - TE LOGO
 - THIS PRODUCT HAS NOT COMPLETED VALIDATION TESTING

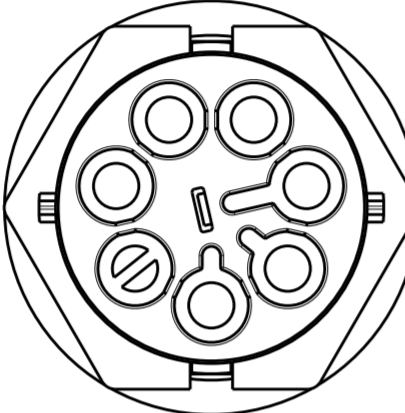
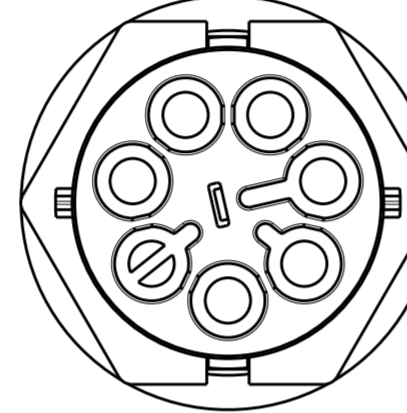
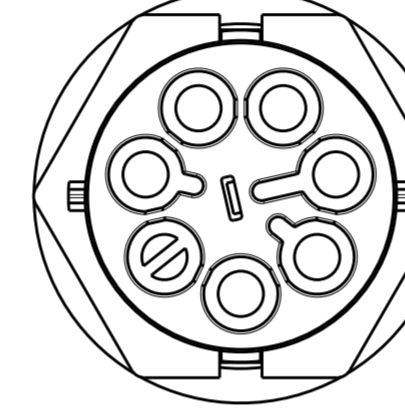
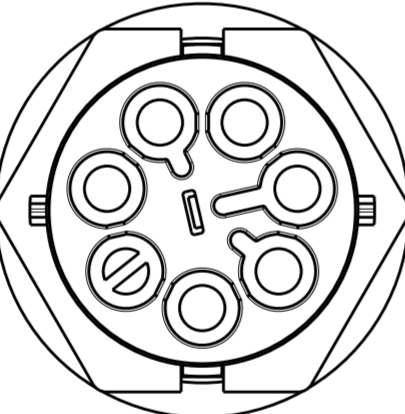
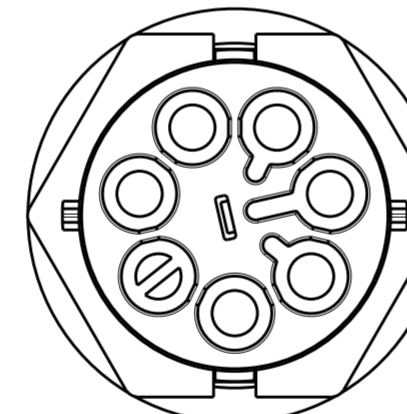



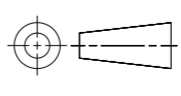
OBSOLETE	E	FREE HANGING PIN. SEALED NECTOR M, 6 POSN	2213241-5
	D	FREE HANGING PIN. SEALED NECTOR M, 6 POSN	2213241-4
	C	FREE HANGING PIN. SEALED NECTOR M, 6 POSN	2213241-3
	B	FREE HANGING PIN. SEALED NECTOR M, 6 POSN	2213241-2
	A	FREE HANGING PIN. SEALED NECTOR M, 6 POSN	2213241-1
		POLARIZATION TYPE	DESCRIPTION

THIS DRAWING IS A CONTROLLED DOCUMENT.		DWN J. SHAFFER 21 JAN 2014	TE Connectivity		
DIMENSIONS: mm		CHK M. LUKSIC 21 JAN 2014			
TOLERANCES UNLESS OTHERWISE SPECIFIED:		APVD M. LUKSIC 21 JAN 2014			
0 PLC ± 1 PLC ±0.2 2 PLC ±0.13 3 PLC ± 4 PLC ± ANGLES ± FINISH -		PRODUCT SPEC 108-133014	NAME FREE HANGING PIN HOUSING: SEALED NECTOR M-LINE, 6 POSN		
MATERIAL NOTE 1		APPLICATION SPEC 114-32111	SIZE A2	CAGE CODE -	DRAWING NO. C-2213241
		WEIGHT -	RESTRICTED TO -		
		Customer Drawing	SCALE 2:1	SHEET 1 OF 2	REV A1

THIS DRAWING IS UNPUBLISHED. RELEASED FOR PUBLICATION 20
 © COPYRIGHT 20 BY - ALL RIGHTS RESERVED.

REVISIONS				
P	LTR	DESCRIPTION	DATE	APVD
-		SEE SHEET 1	-	-

POLARIZATION TYPES		
POLARIZATION TYPE "A"	POLARIZATION TYPE "B"	POLARIZATION TYPE "C"
		
PN: 2213241-1	PN: 2213241-2	PN: 2213241-3
POLARIZATION TYPE "D"	POLARIZATION TYPE "E"	
		
PN: 2213241-4	PN: 2213241-5	

THIS DRAWING IS A CONTROLLED DOCUMENT.		DWN J. SHAFFER 21 JAN 2014	 TE Connectivity	
DIMENSIONS: mm		CHK M. LUKSIC 21 JAN 2014		
TOLERANCES UNLESS OTHERWISE SPECIFIED:		APVD M. LUKSIC 21 JAN 2014	NAME FREE HANGING PIN HOUSING: SEALED NECTOR M-LINE, 6 POSN	
		PRODUCT SPEC 108-133014	RESTRICTED TO	
MATERIAL NOTE 1		APPLICATION SPEC 114-32111	SIZE A2	CAGE CODE -
		WEIGHT -	DRAWING NO C-2213241	
		Customer Drawing	SCALE 2:1	SHEET 2 OF 2
			REV A1	

单击下面可查看定价，库存，交付和生命周期等信息

[>>TE Connectivity\(泰科\)](#)