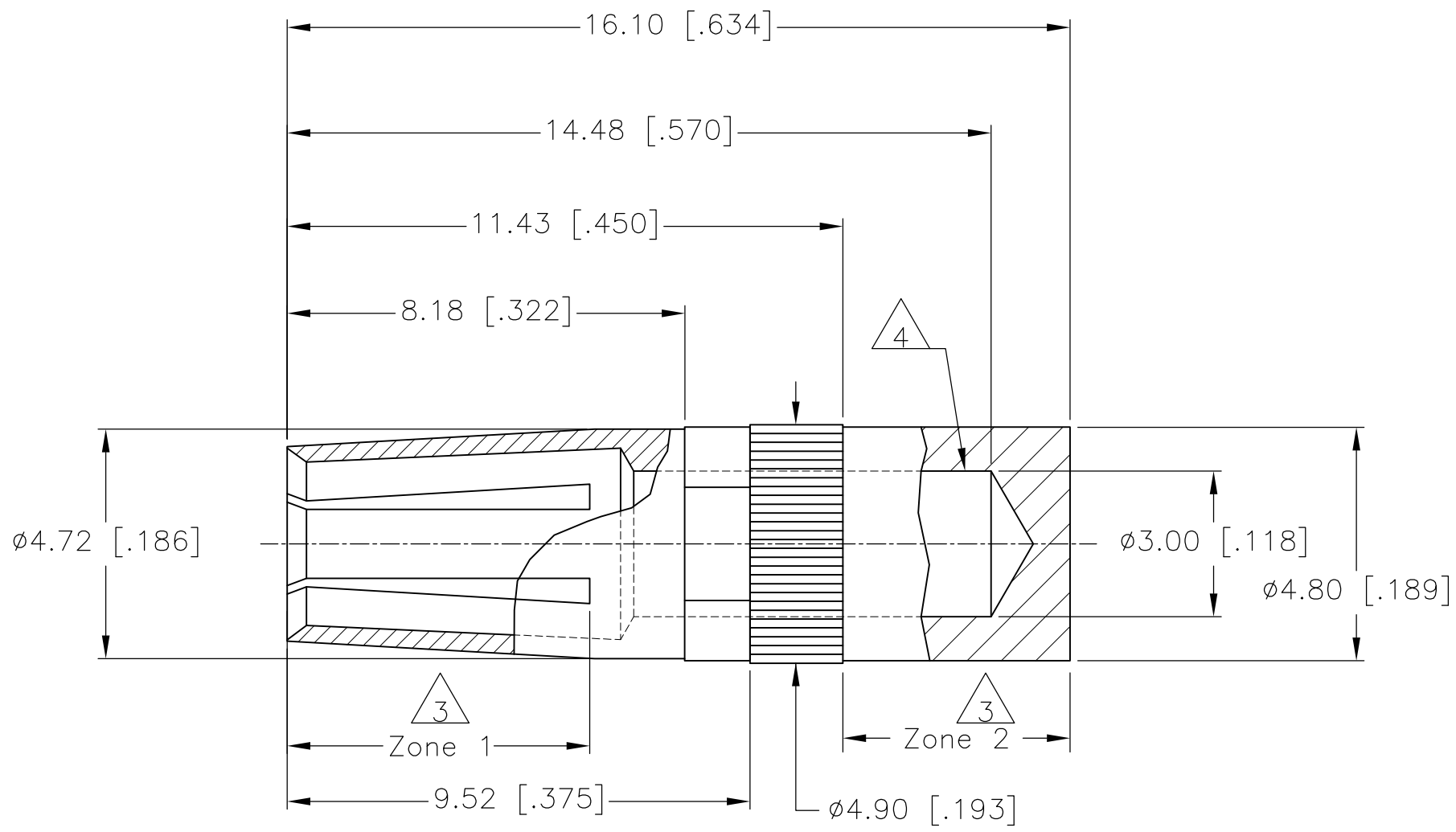
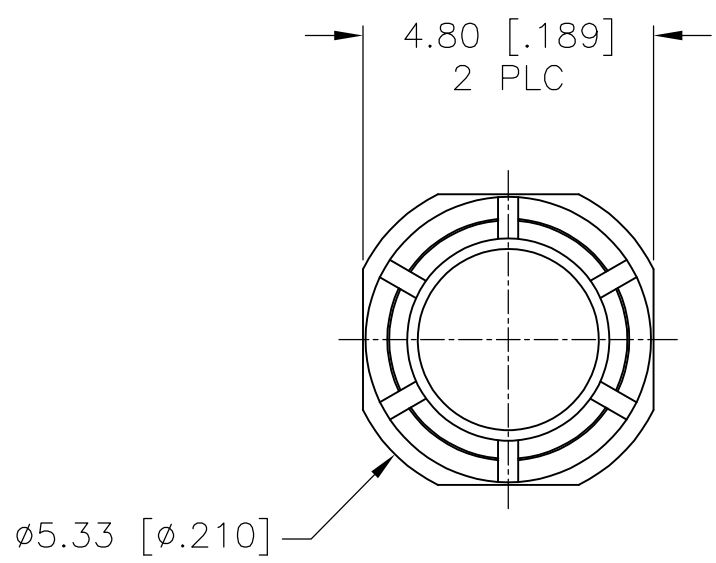


THIS DRAWING IS UNPUBLISHED. RELEASED FOR PUBLICATION  
 © COPYRIGHT - By - ALL RIGHTS RESERVED.

LOC AD	DIST 00	REVISIONS			
P	LTR	DESCRIPTION	DATE	DWN	APVD
	C	REVISED PER ECO-14-017191	19NOV2014	AP	RP



- 1 CONTACT: BERYLLIUM COPPER.
- 2 OBSOLETE PARTS: OBSOLETE CIS STREAMLINING PER D.RENAUD/D.SINISI.
- 3 GOLD PLATE: .000030 MIN IN ZONE 1. GOLD PLATE .000010 MIN IN ZONE 2. NICKEL PLATE .000050 MIN ALL OVER.
- 4 COMPLETE PLATING COVERAGE NOT REQUIRED INSIDE BLIND HOLE.

1.27µm [.000050] MIN GOLD	1	148375-2
0.76µm [.000030] MIN GOLD	3 1	148375-1
FINISH	MATERIAL	PART NUMBER

THIS DRAWING IS A CONTROLLED DOCUMENT.		DWN L. BRINER 3/3/97	<b>STE</b> TE Connectivity		
DIMENSIONS: mm [INCHES]		CHK R. PATTERSON 3/3/97			
TOLERANCES UNLESS OTHERWISE SPECIFIED:		APVD R. PATTERSON 3/3/97	NAME POWER CONTACT, FEMALE BOARD MOUNT, SOLDER		
0 PLC ± -		PRODUCT SPEC	SIZE	CAGE CODE	DRAWING NO
1 PLC ± -		APPLICATION SPEC	A3	00779	C-148375
2 PLC ± 0.13 [.005]		WEIGHT	RESTRICTED TO		
3 PLC ± -			SCALE 4:1 SHEET 1 OF 1 REV C		
4 PLC ± -					
ANGLES ± -					
MATERIAL	FINISH	CUSTOMER DRAWING			
1	SEE TABLE				

单击下面可查看定价，库存，交付和生命周期等信息

[>>TE Connectivity\(泰科\)](#)