

- NOTES:
1. METRIC DIMS SHOWN IN ().
 2. MOUNTING HARDWARE TO BE SHIPPED UNASSEMBLED.

THIS DOCUMENT IS THE PROPERTY OF EATON CORP. IT'S CONTENTS ARE PROPRIETARY AND CONFIDENTIAL AND SHALL NOT BE DISCLOSED TO ANY UNAUTHORIZED PERSON, COPIED OR PUBLISHED WITHOUT EATON'S PRIOR WRITTEN CONSENT.



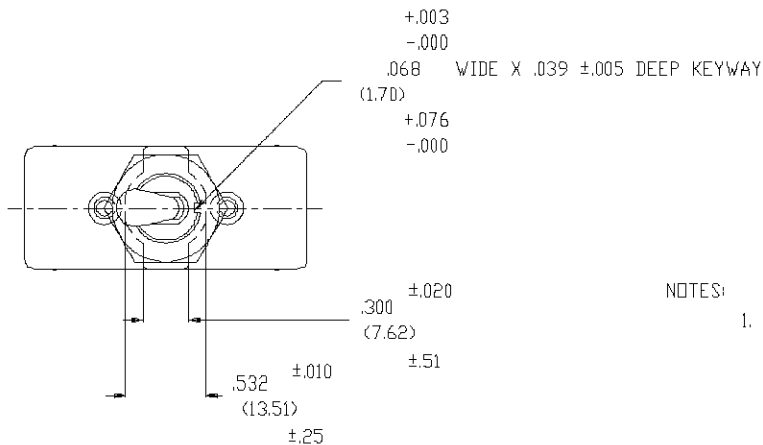
TITLE		DIMS FOR DOUBLE INSULATED TOOL HANDLE SWITCH FOR EUROPEAN USE	
ORDER NO.	702A575014	BASIC SPECS. SUMMARY	
A2	REDRAWN ON CAD. REMOVED BOTTOM VIEW.	TC	DR. MICHAEL WHITED
	ECN01229603	93719990	1/22/96
	ECN		CHK. J. SMITH
	ECN		1/14/76
			RICHARD SAWS
			ECN01229603



90-6358

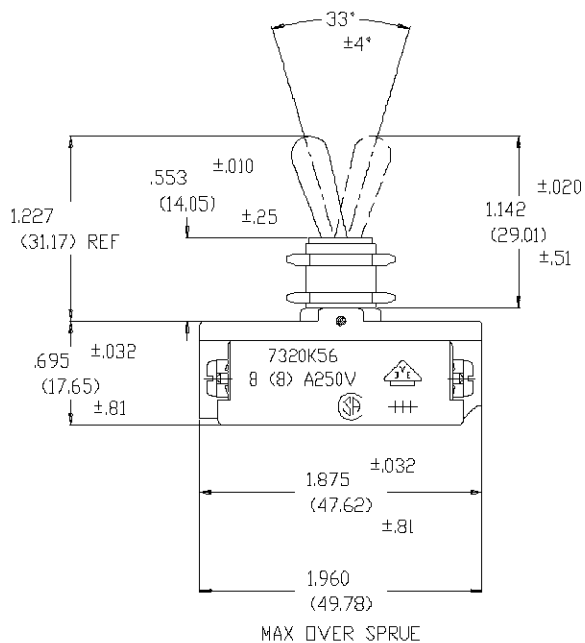
B

91-611

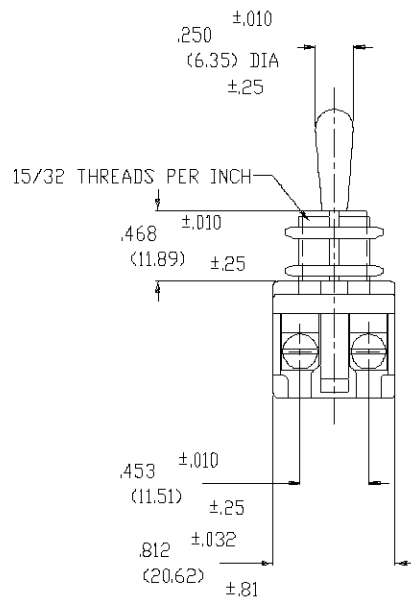


NOTES:

- 1. MOUNTING HARDWARE TO BE SHIPPED UNASSEMBLED.



MAX OVER SPRUE



INCH (MILLIMETERS)

THIS DOCUMENT IS THE PROPERTY OF EATON CORP. IT'S CONTENTS ARE PROPRIETARY AND CONFIDENTIAL AND SHALL NOT BE DISCLOSED TO ANY UNAUTHORIZED PERSON, COPIED OR PUBLISHED WITHOUT EATON'S PRIOR WRITTEN CONSENT.

ORDER NO. 93719990

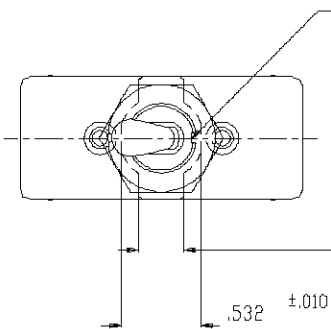


TITLE: DIM DWG DOUBLE INSULATED TOOL HANDLE SWITCH - 7320K56		
DR.	2/22/96	SURFACE COATING
DHK.		SCALE
APP.		DO NOT SCALE DRAWING
ECN02089605		SUP'S
		SUP'D BY

B

91-617

+0.03
-0.00
.068 WIDE X .039 ±.005 DEEP KEYWAY



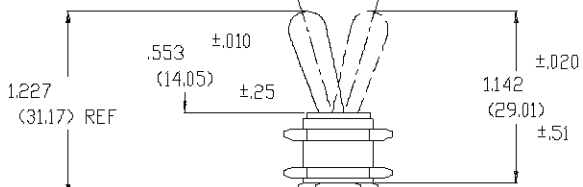
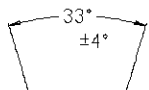
(1.70)
+0.076
-0.000

±0.20
.300
(7.62)
±.51

.532 ±.010
(13.51)
±.25

NOTES:

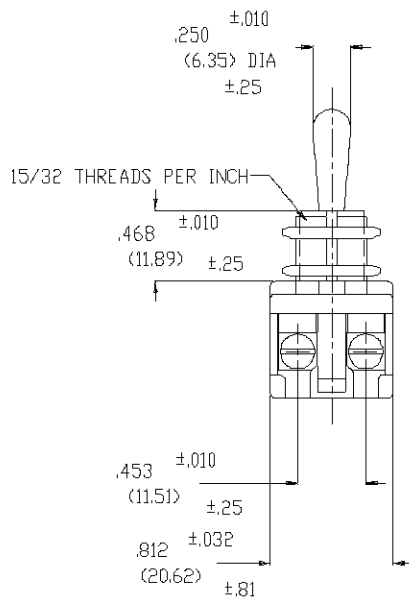
1. MOUNTING HARDWARE TO BE SHIPPED UNASSEMBLED.



1.227
(31.17) REF

.553 ±.010
(14.05)
±.25

±0.20
1.142
(29.01)
±.51

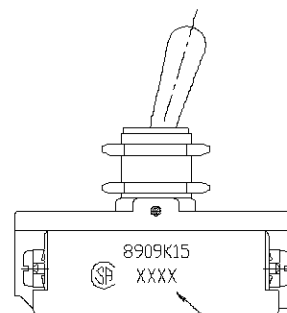


±0.10
.250
(6.35) DIA
±.25

15/32 THREADS PER INCH

±0.10
.468
(11.89)
±.25

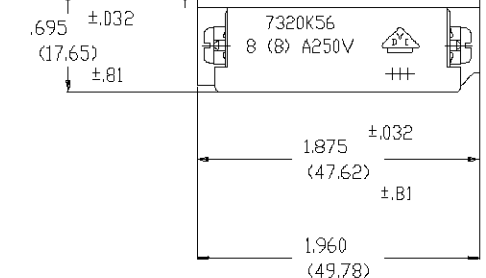
±0.10
.453
(11.51)
±.25
±0.32
.812
(20.62)
±.81



DATE
CODE

INCH
(MILLIMETERS)

THIS DOCUMENT IS THE PROPERTY OF EATON CORP. IT'S CONTENTS ARE PROPRIETARY AND CONFIDENTIAL AND SHALL NOT BE DISCLOSED TO ANY UNAUTHORIZED PERSON, COPIED OR PUBLISHED WITHOUT EATON'S PRIOR WRITTEN CONSENT.



.695 ±0.032
(17.65)
±.81

7320K56
8 (8) A250V

±0.32
1.875
(47.62)
±.81

1.960
(49.78)

MAX OVER SPRUE

ORDER NO. 93719990



THIRD ANGLE PROJECTION

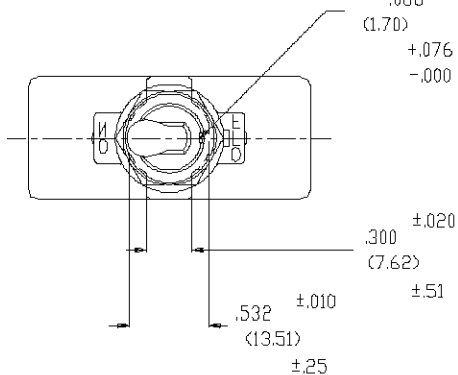


TITLE: DIM DWG DOUBLE INSULATED TOOL HANDLE SWITCH - 8909K15			
DR. T. CHRISTENSEN	1/22/96	SURFACE COATING	ECN01229603
CHK.		SCALE	SUP'S
APP.		DO NOT SCALE DRAWING	SUP'D BY

B

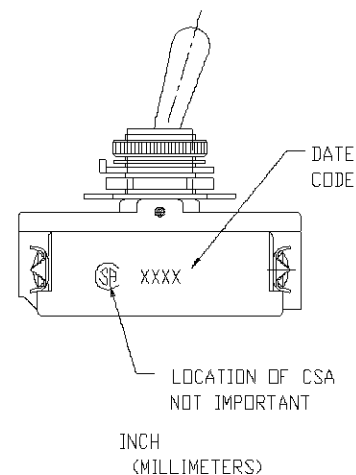
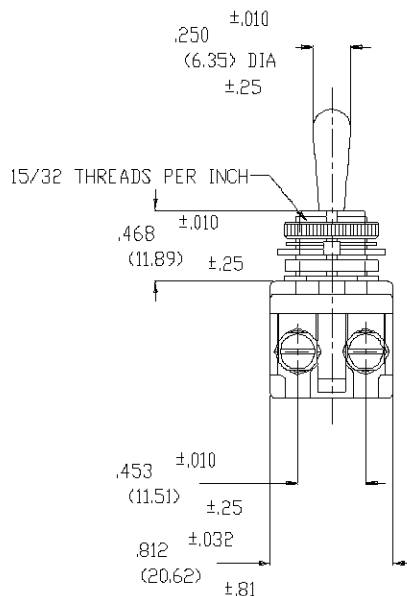
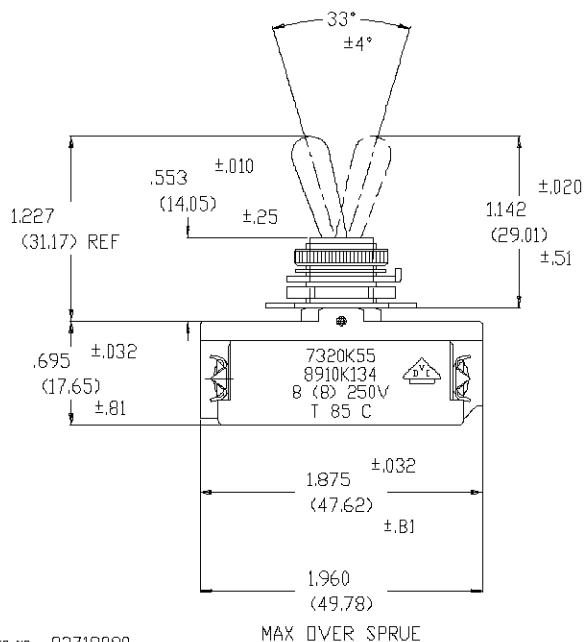
91-612

+0.03
-0.00
.068 WIDE X .039 ±.005 DEEP KEYWAY
(1.70)



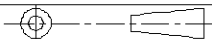
NOTES:

- 1. MOUNTING HARDWARE TO BE SHIPPED UNASSEMBLED.



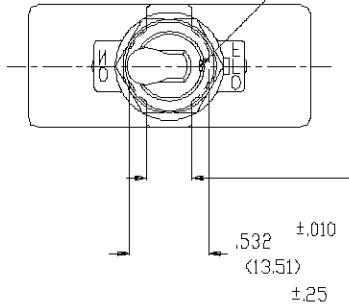
THIS DOCUMENT IS THE PROPERTY OF EATON CORP. IT'S CONTENTS ARE PROPRIETARY AND CONFIDENTIAL AND SHALL NOT BE DISCLOSED TO ANY UNAUTHORIZED PERSON, COPIED OR PUBLISHED WITHOUT EATON'S PRIOR WRITTEN CONSENT.

THIRD ANGLE PROJECTION



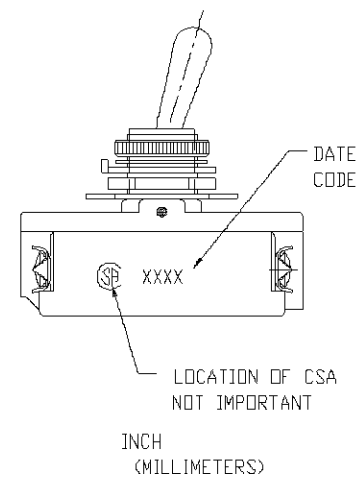
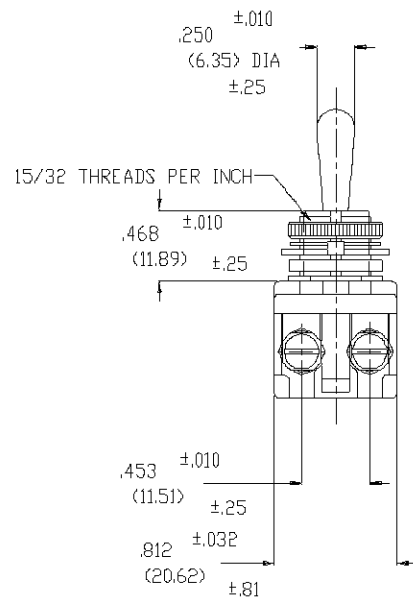
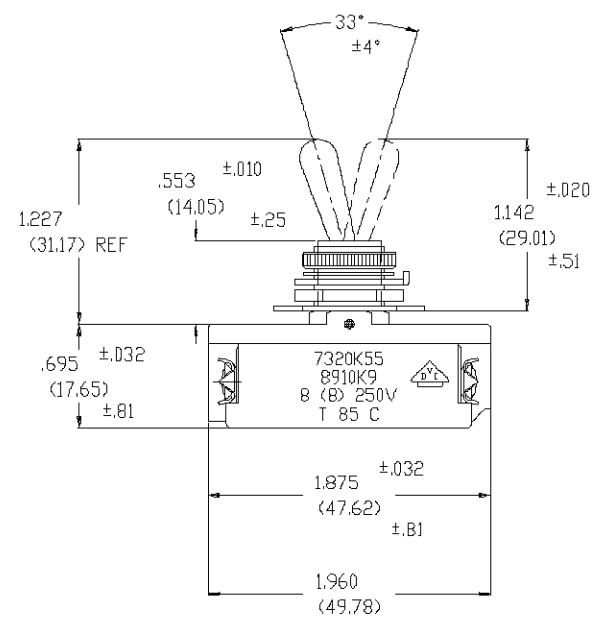
TITLE	DIM DWG DOUBLE INSULATED TOOL HANDLE SWITCH - 8910K134		
DR.	2/22/96	SURFACE COATING	ECN02089605
CHK.		SCALE	SUP'S
APP.		DO NOT SCALE DRAWING	SUP'D BY

$+0.003$
 -0.000
 .068 WIDE X .039 ±.005 DEEP KEYWAY
 (1.70)
 $+0.076$
 -0.000



NOTES:

1. MOUNTING HARDWARE TO BE SHIPPED UNASSEMBLED.



THIS DOCUMENT IS THE PROPERTY OF EATON CORP. IT'S CONTENTS ARE PROPRIETARY AND CONFIDENTIAL AND SHALL NOT BE DISCLOSED TO ANY UNAUTHORIZED PERSON, COPIED OR PUBLISHED WITHOUT EATON'S PRIOR WRITTEN CONSENT.

ORDER NO. 93719990

MAX OVER SPRUE



TITLE: DIM DWG DOUBLE INSULATED TOOL HANDLE SWITCH - 8910K9		SURFACE COATING	
DR.	2/22/96	ECN02089605	
CHK.		SCALE	SUP'S
APP.		DO NOT SCALE DRAWING	SUP'D BY

单击下面可查看定价，库存，交付和生命周期等信息

[>>TE Connectivity\(泰科\)](#)