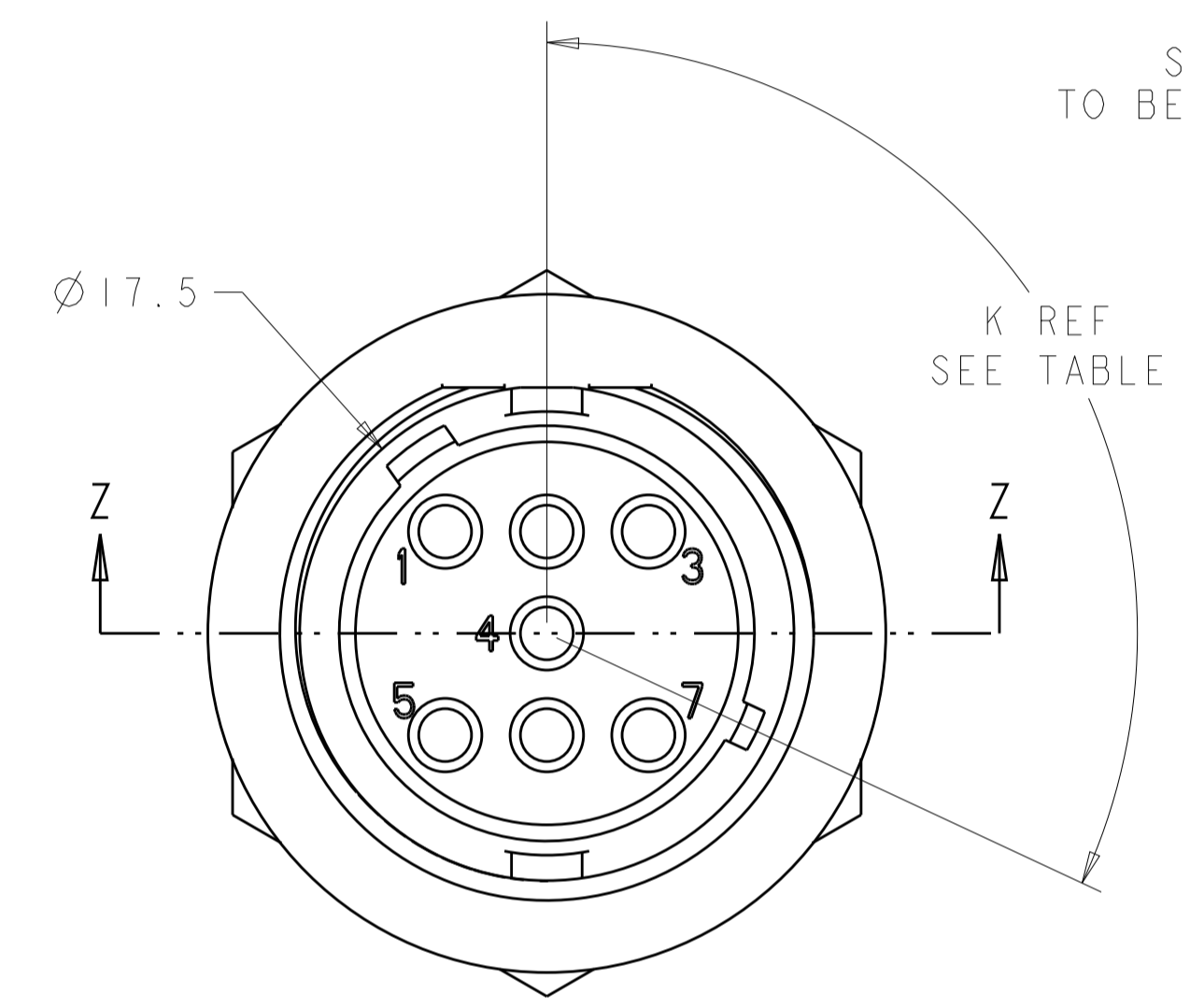
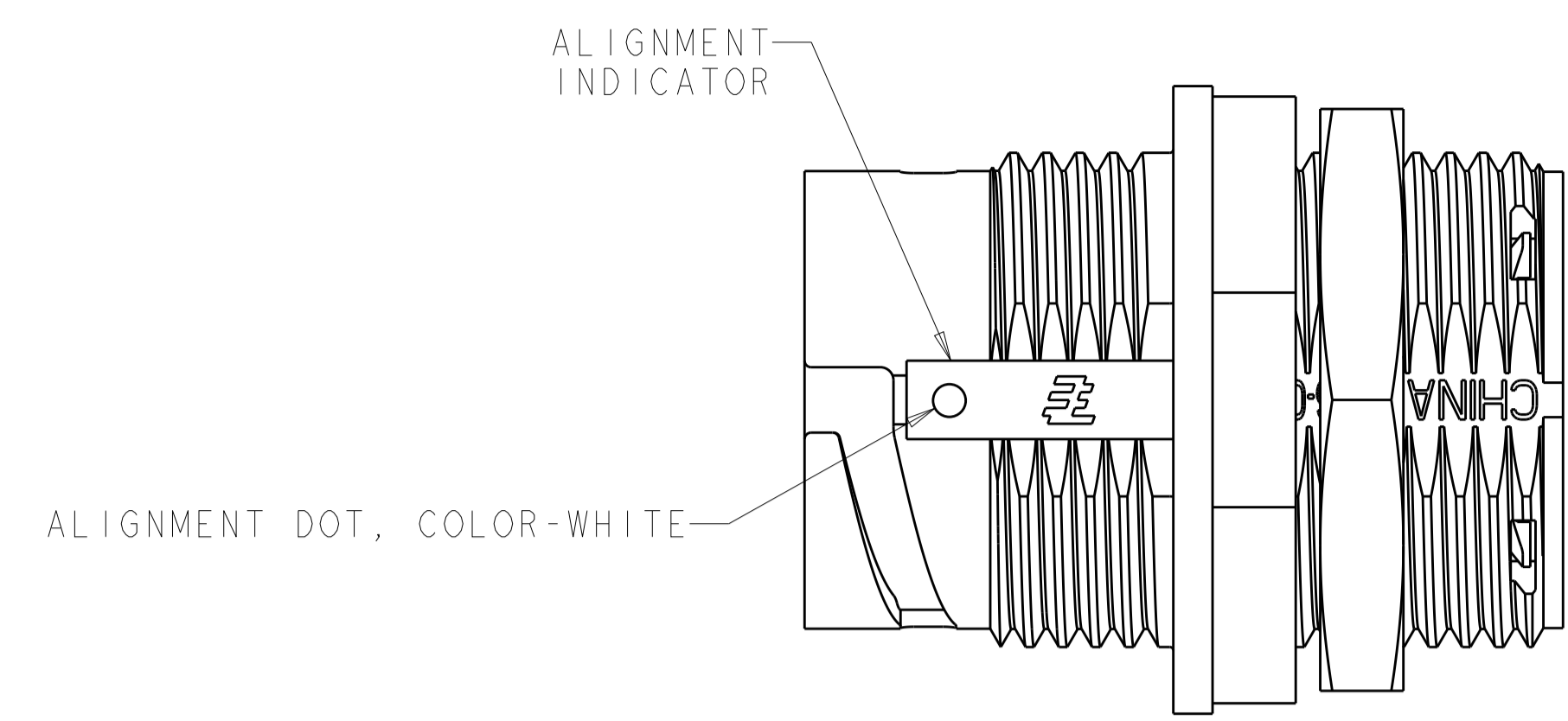
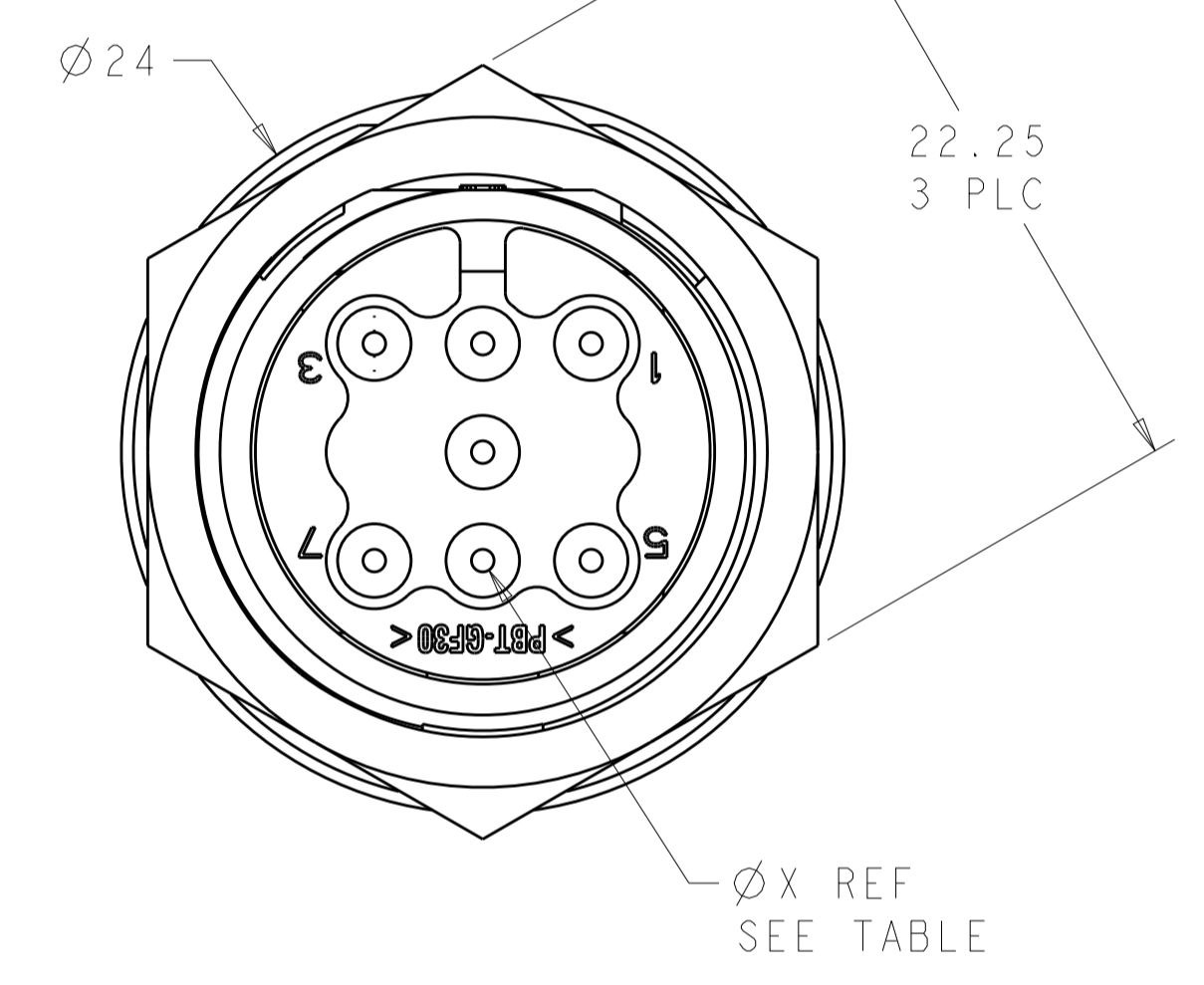
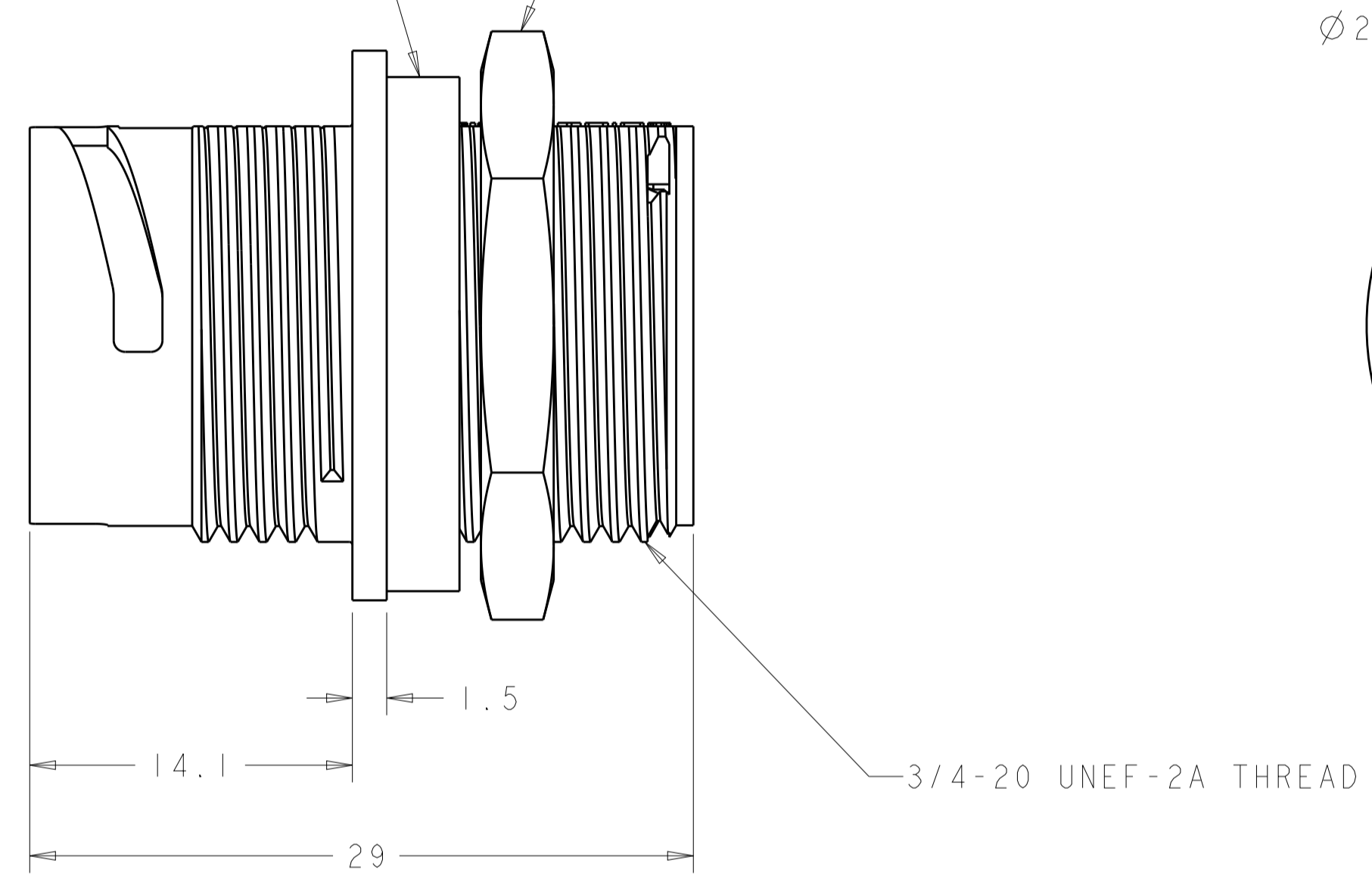


| REVISIONS | | | | |
|-----------|-----|---------------------------|-----------|----------|
| P. | LTM | DESCRIPTION | DATE | DWN APVD |
| B3 | | REVISED PER ECO-15-010004 | 13JUL2015 | NK MZ |
| C | | REVISED PER ECO-16-018355 | 21MAR2017 | RS MZ |

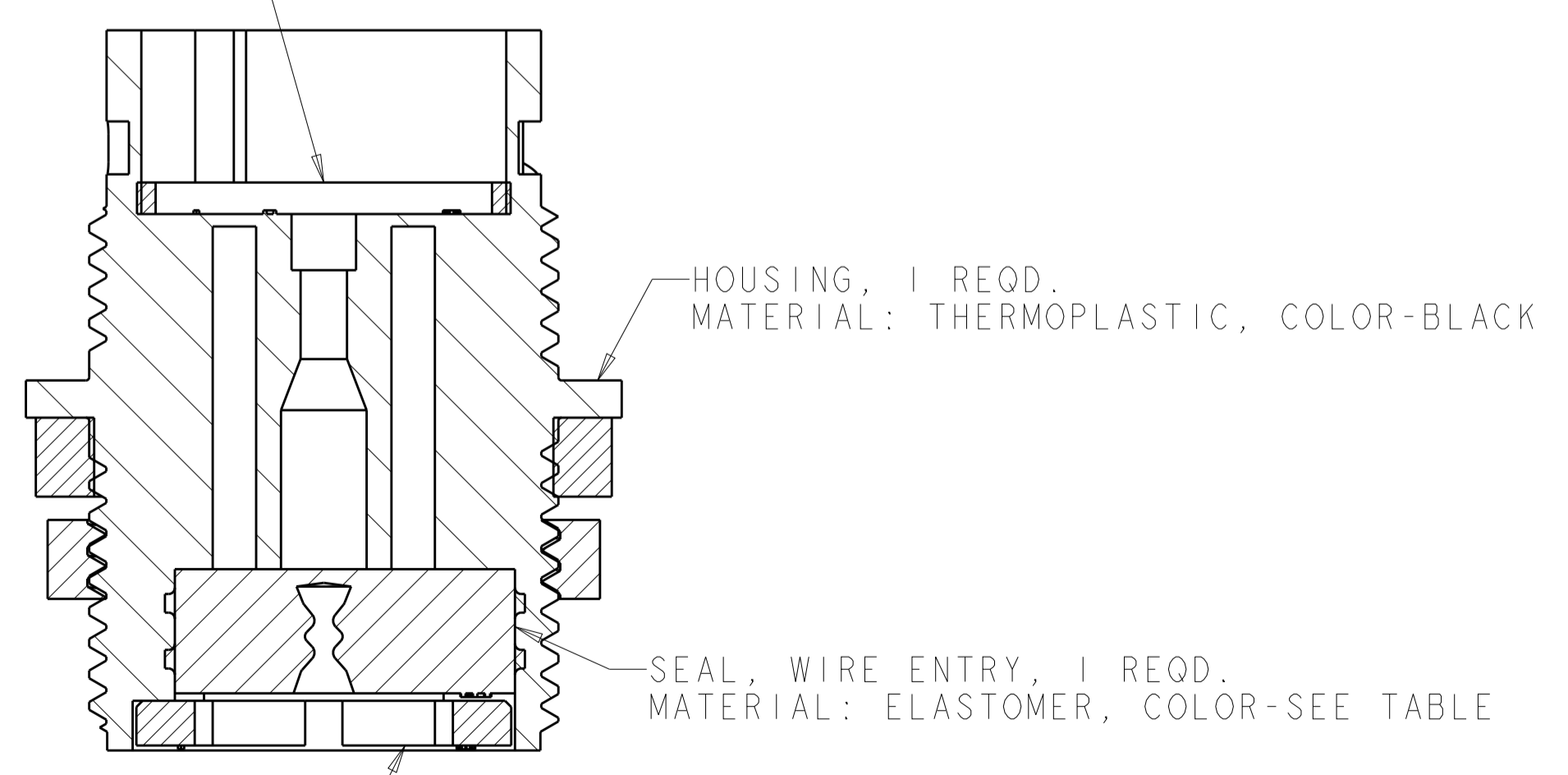


SEAL, PANEL; SHOWN FOR REFERENCE ONLY, TO BE ORDERED SEPARATELY, PART #1445420-02

JAM NUT, SHOWN FOR REFERENCE ONLY, TO BE ORDERED SEPARATELY, PART # 1445904-1

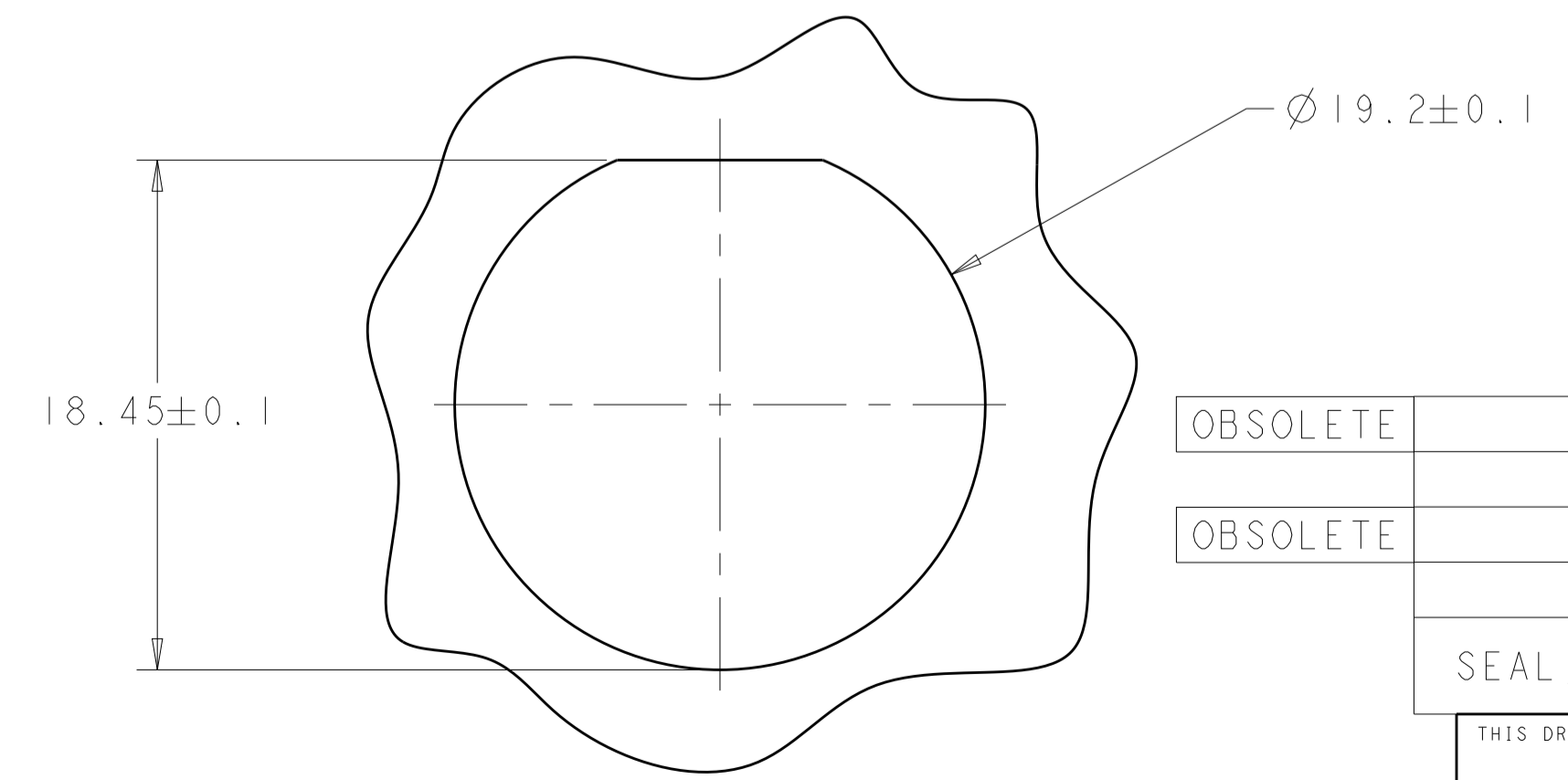


SEAL, PERIPHERAL, 1 REQD.
 MATERIAL: ELASTOMER, COLOR-GRAY



RETAINER, SEAL, 1 REQD.
 MATERIAL: THERMOPLASTIC, COLOR-BLACK

1. CONNECTOR CAN BE FRONT OR REAR PANEL MOUNTED.
 △ MAX PANEL THICKNESS - 3.18



| | | | | |
|------------------------|---------|---------|-------|-------------|
| OBSOLETE | YELLOW | Ø 0.75 | 135° | 1445822-04 |
| | NATURAL | Ø 1.5 | 115° | 1445822-03 |
| OBSOLETE | NATURAL | Ø 1.5 | 135° | 1445822-02 |
| | YELLOW | Ø 0.75 | 115° | 1445822-01 |
| SEAL, WIRE ENTRY COLOR | | Ø X REF | K REF | PART NUMBER |

| | | | | |
|--|----|---------------------------|---|---------------|
| THIS DRAWING IS A CONTROLLED DOCUMENT. | | DWN SHANE WIESE 15OCT2001 | STE TE Connectivity | |
| TOLERANCES UNLESS OTHERWISE SPECIFIED: | | CHK G DOUTY 15OCT2001 | | |
| DIMENSIONS: | mm | APVD H. WAKEEM 13JUN2003 | NAME ASSEMBLY, RECEPTACLE, SIZE 11, 7 POSITION, PANEL MOUNT, SEALED, MINI CPC | |
| MATERIAL SEE CALLOUT | | FINISH SEE CALLOUT | SIZE A100779 | RESTRICTED TO |
| CUSTOMER DRAWING | | SCALE 4:1 | SHEET 1 OF 1 | REV C |

单击下面可查看定价，库存，交付和生命周期等信息

[>>TE Connectivity\(泰科\)](#)