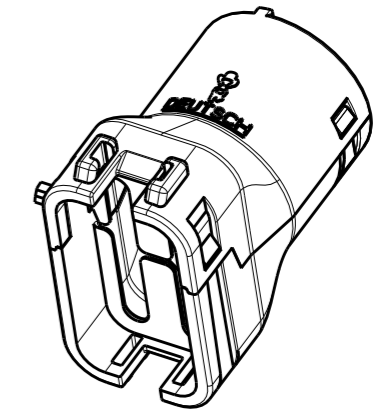
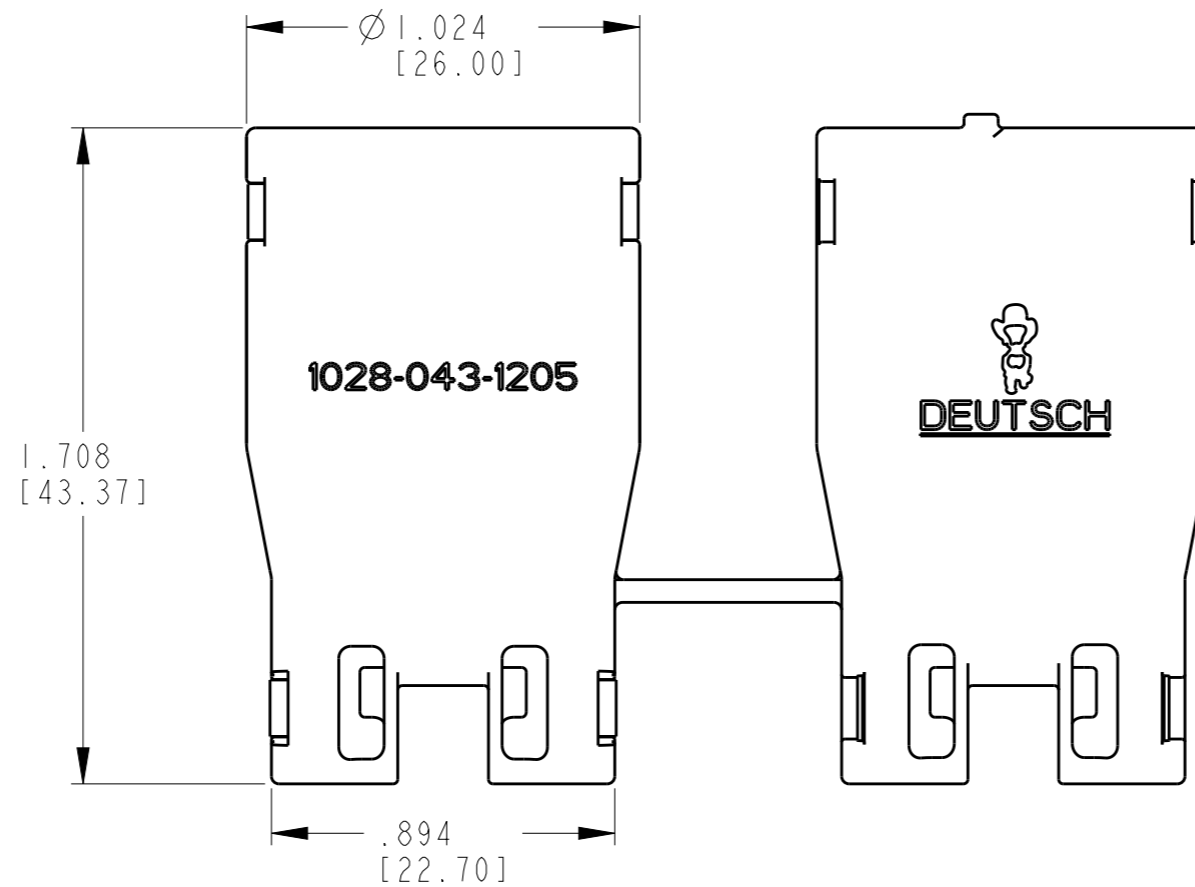
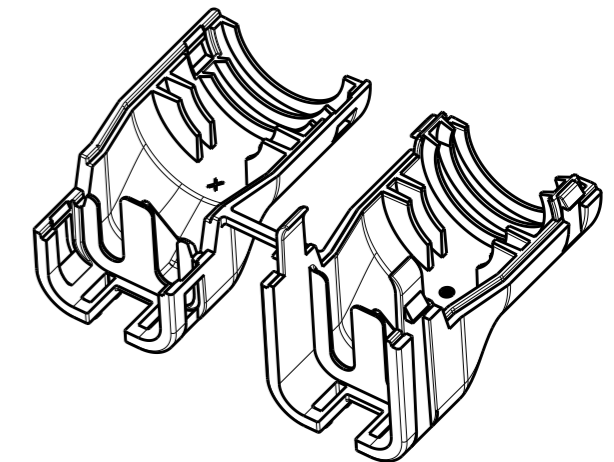
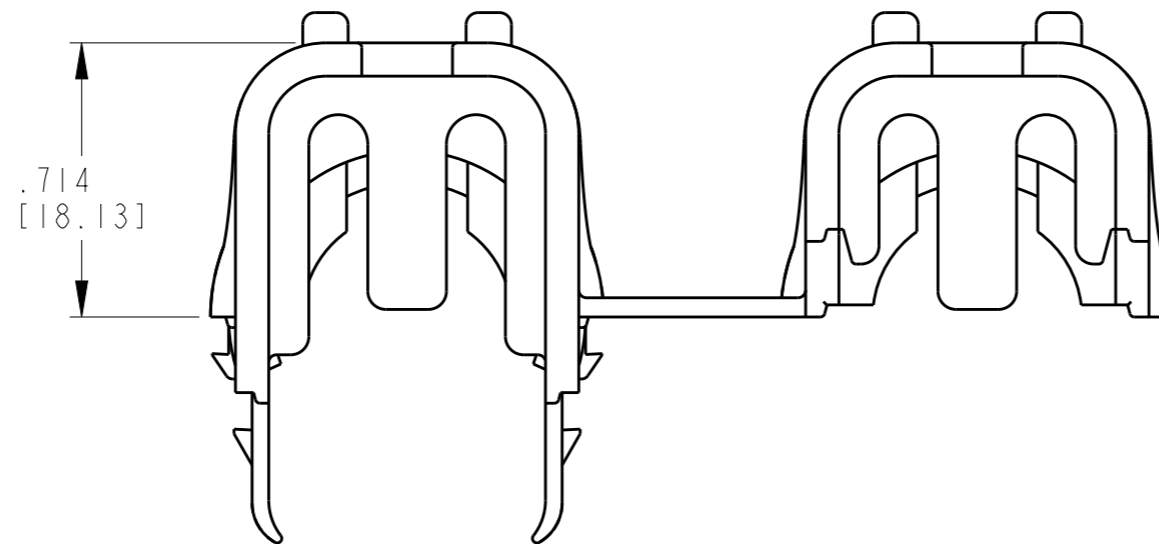
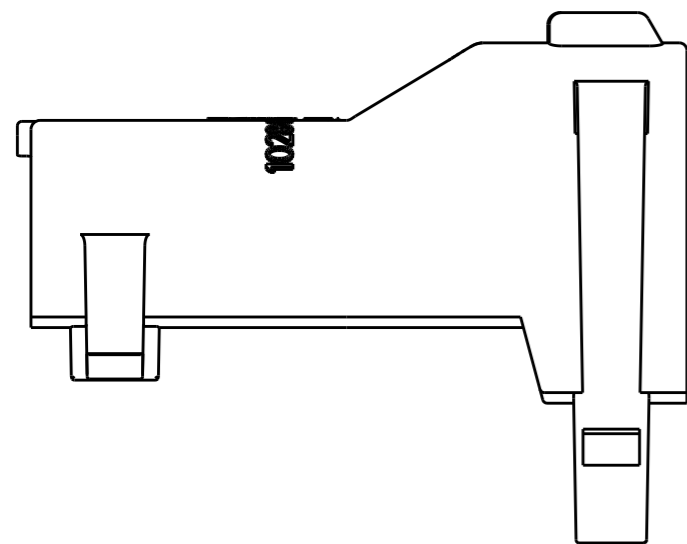


REVISIONS

P	LTR	DESCRIPTION	DATE	DWN	APVD
A		REVISED PER PCN E-18-000064	02JAN2018	SS	DM



3-D VIEW
CLOSED



3-D VIEW
OPEN

TE INTERNAL PN	DEUTSCH PN
1028-043-1205	1028-043-1205

2. THIS PART ACCOMMODATES CORRUGATED TUBING SIZES NW 13 & 17.

1. THIS PART MATES WITH DT06-12SX-XXXX PLUG WITH ANY MODIFICATION THAT DOES NOT INCLUDE AN END CAP. (X = KEY ARR. A,B,C,D; XXXX = MODIFICATION)

NOTES:

THIS DRAWING IS A CONTROLLED DOCUMENT.		DWN R. MESSENGER 17FEB2009	TE Connectivity													
DIMENSIONS: INCHES [mm]		CHK B. BYFORD 23FEB2010														
TOLERANCES UNLESS OTHERWISE SPECIFIED:		APVD S. BEARD 19FEB2010	NAME BACK SHELL 12 PIN PLUG DT SERIES													
<table border="0"> <tr><td>0 PLC</td><td>±</td></tr> <tr><td>1 PLC</td><td>±</td></tr> <tr><td>2 PLC</td><td>±</td></tr> <tr><td>3 PLC</td><td>±.025 [0.64]</td></tr> <tr><td>4 PLC</td><td>±</td></tr> <tr><td>ANGLES</td><td>±0°30'0"</td></tr> </table>		0 PLC	±	1 PLC	±	2 PLC	±	3 PLC	±.025 [0.64]	4 PLC	±	ANGLES	±0°30'0"	PRODUCT SPEC -	-	
0 PLC	±															
1 PLC	±															
2 PLC	±															
3 PLC	±.025 [0.64]															
4 PLC	±															
ANGLES	±0°30'0"															
MATERIAL PA66 (BLACK)		FINISH	APPLICATION SPEC -	RESTRICTED TO -												
		WEIGHT 9.3 g	SIZE A3	CAGE CODE 4AFU8												
		CUSTOMER DRAWING	DRAWING NO 1028-043-1205	REV A												
		SCALE 1:1	SHEET 1	OF 1												

单击下面可查看定价，库存，交付和生命周期等信息

[>>TE Connectivity\(泰科\)](#)