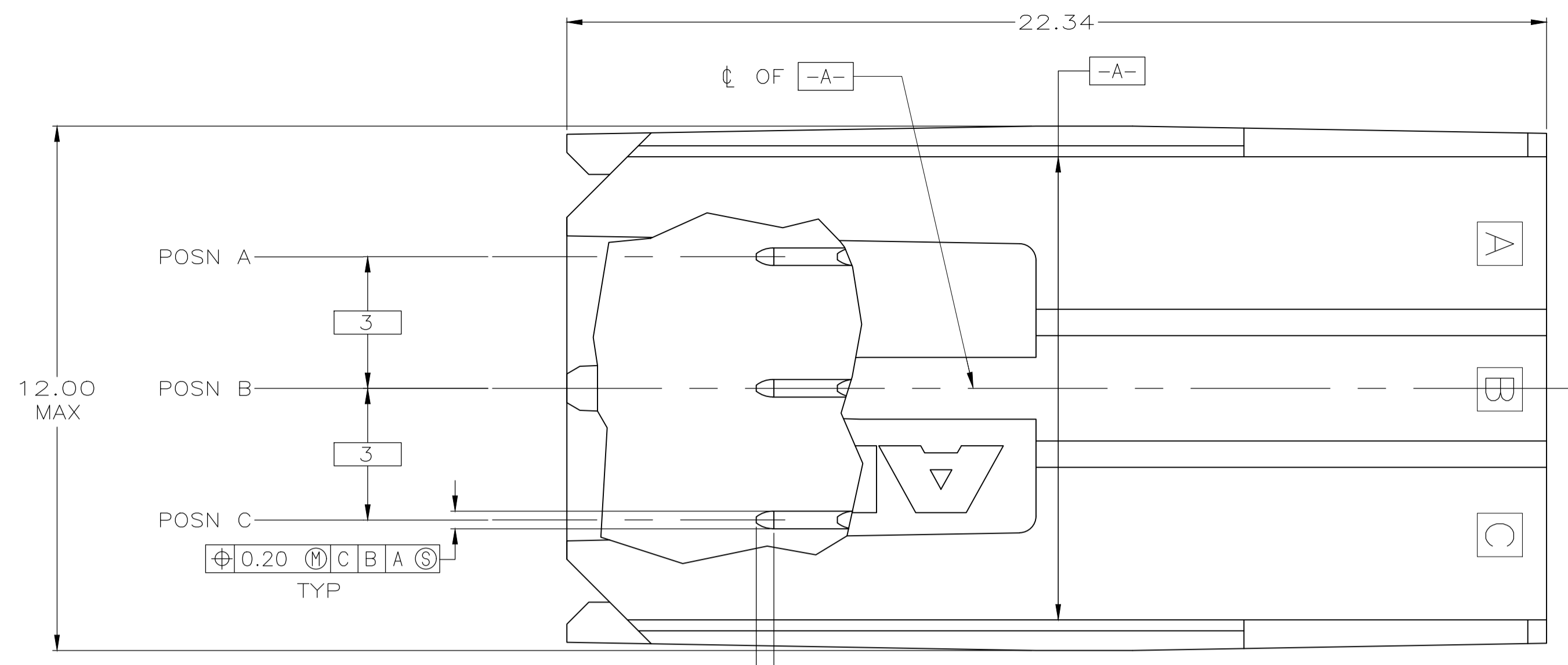
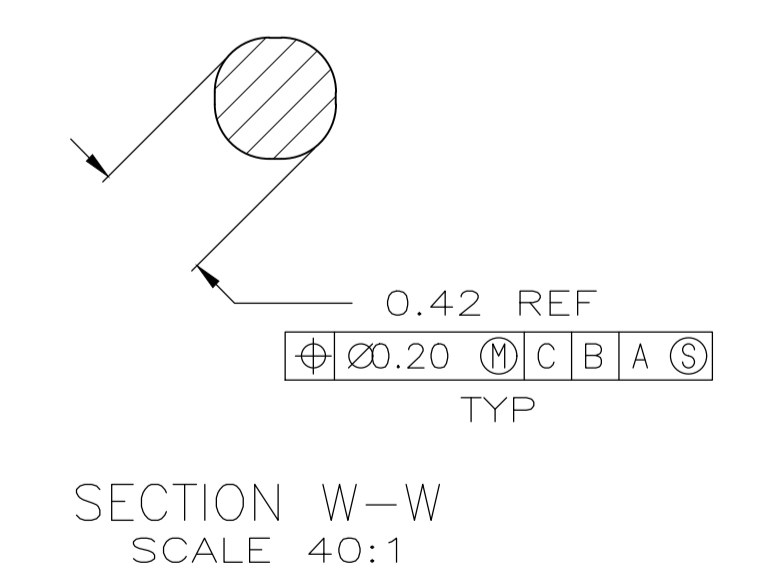
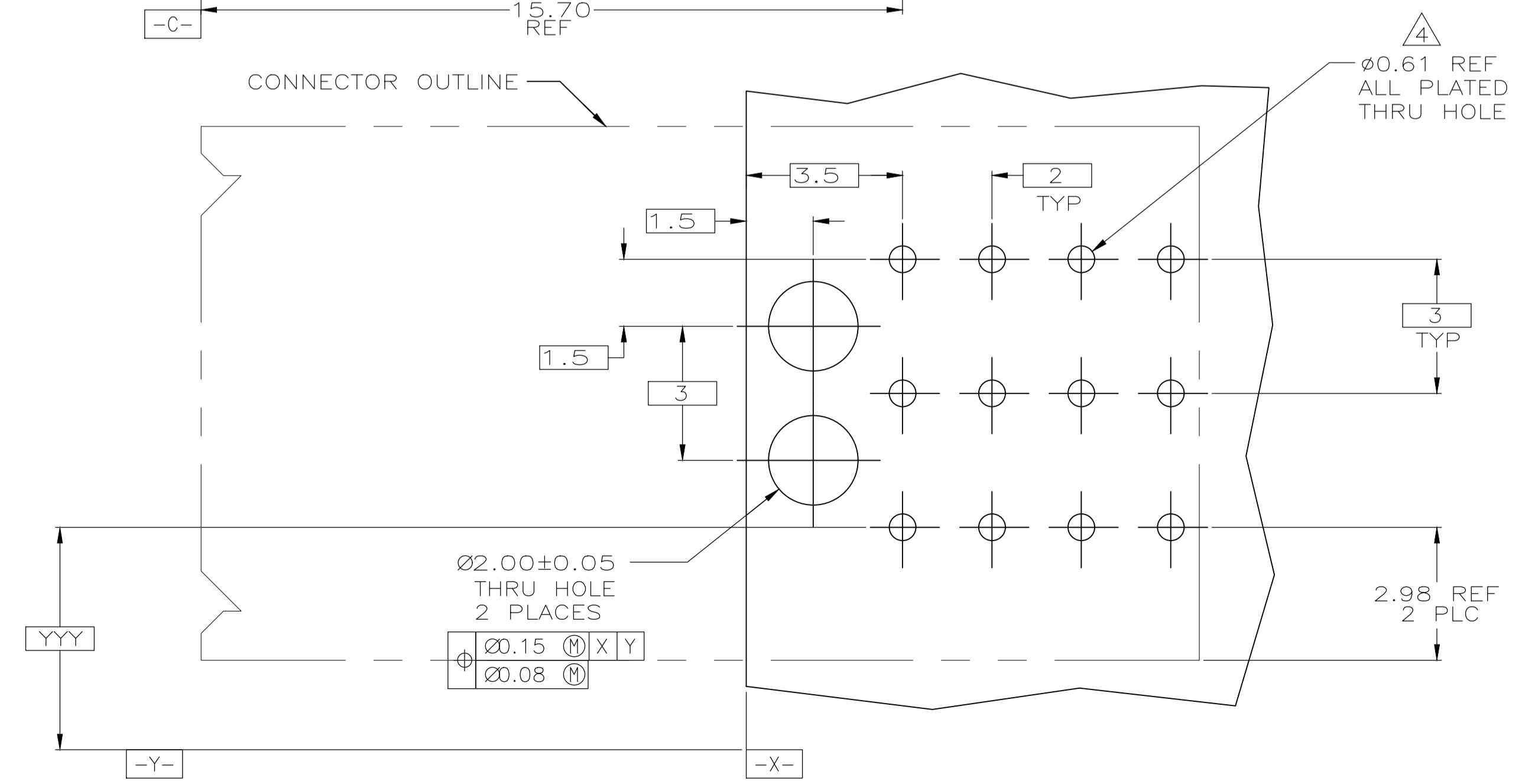
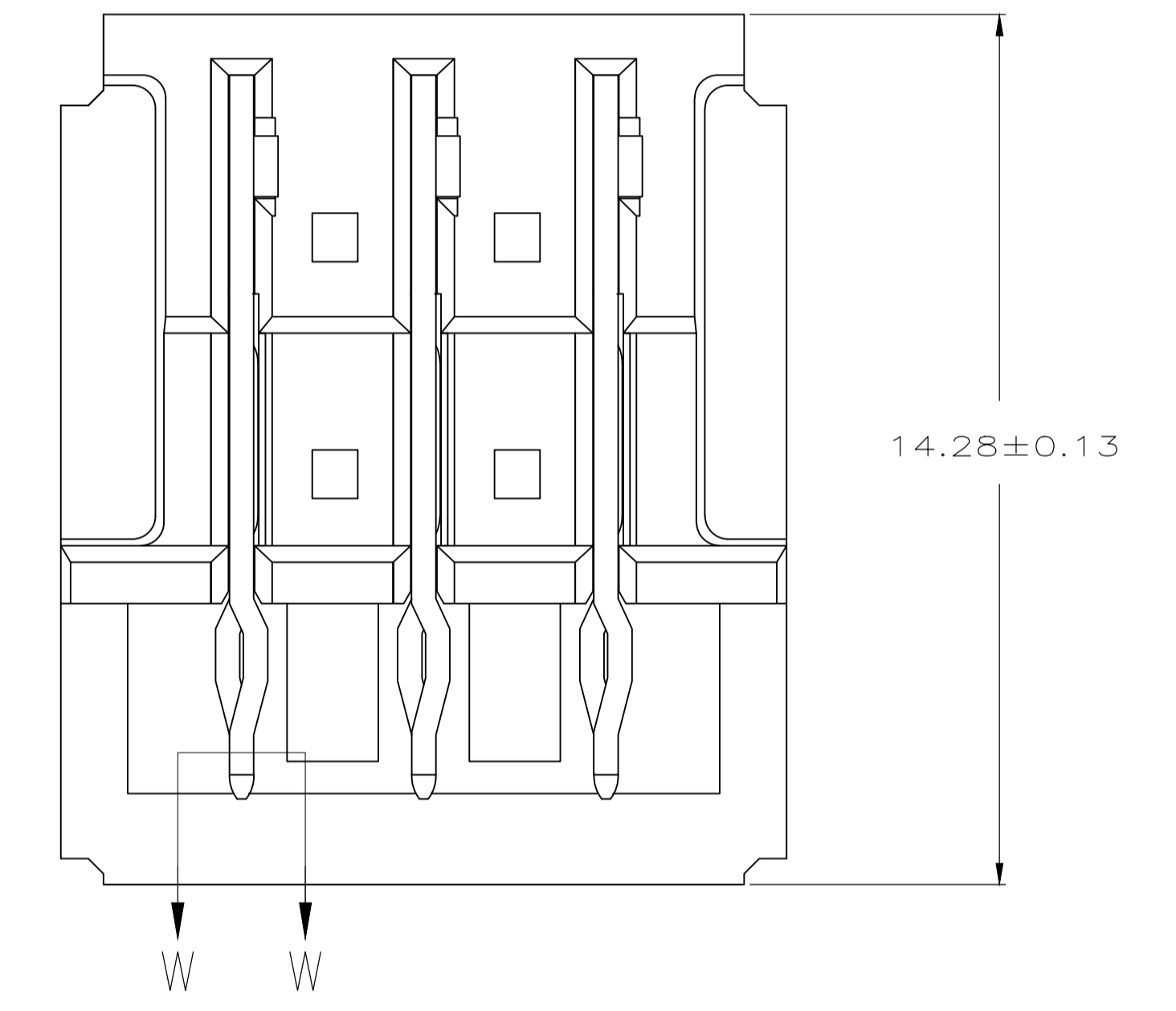
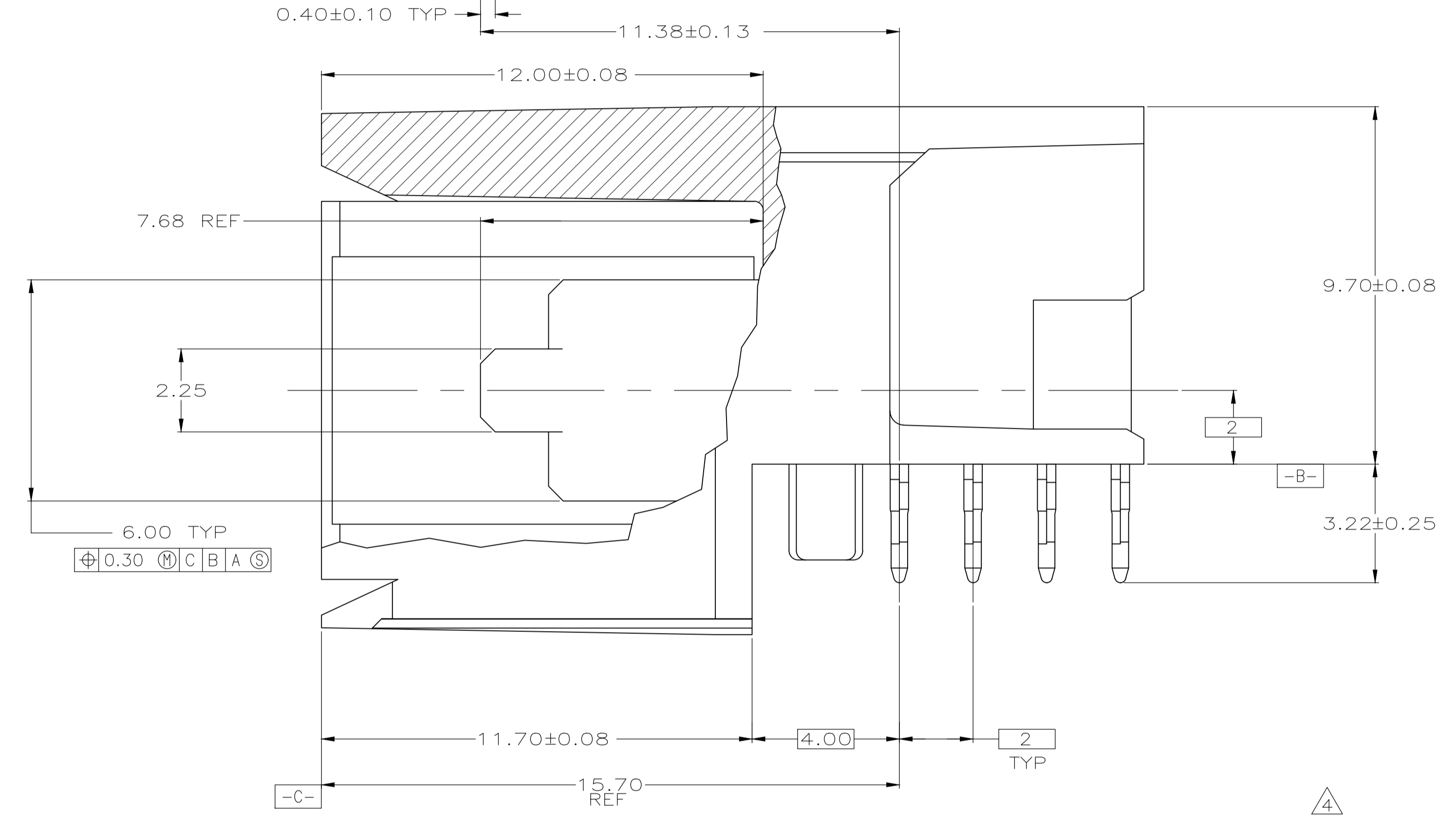
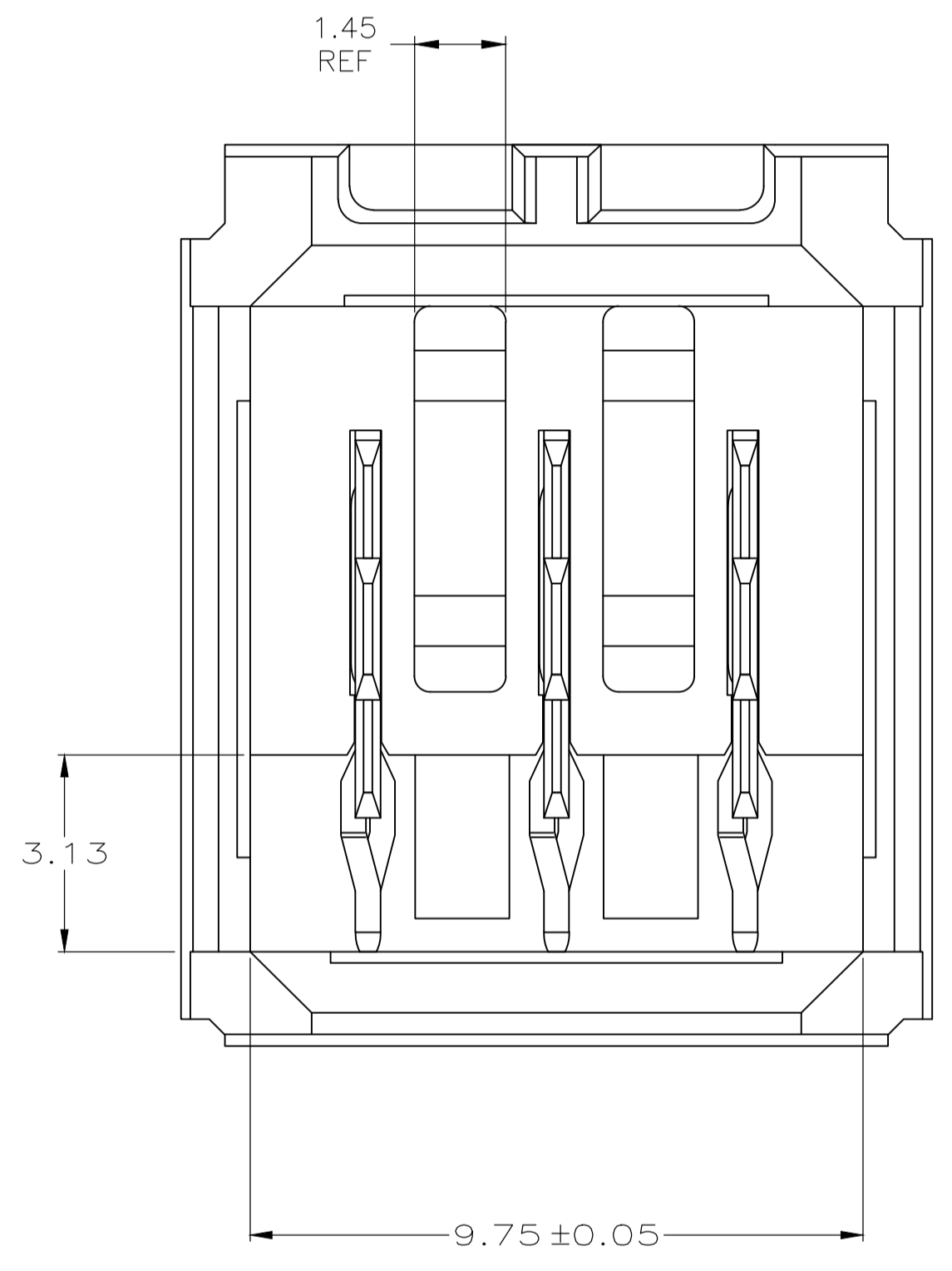


REVISONS		DATE	BY	APP'D
AD	00	08JUN2020	ML	SZ
REV	PER	ECO-20-004668		



- 1 MATERIAL: HOUSING: POLYESTER. COLOR: GREY. UL 94V-O. CONTACT: COPPER ALLOY.
- 2 FINISH: IN ACCORDANCE WITH PRODUCT SPECIFICATION 108-1651, GOLD PLATING OR EQUIVALENT PLATING ON PRODUCT CONTACT MATING AREA, AND MATTE TIN PLATING ON COMPLIANT PIN AREA, ALL OVER MATTE NICKEL UNDERPLATED. DETAIL PLEASE REFER TO PRODUCT SPECIFICATION 108-1651.
- 3 FINISH: CONTACT LUBRICATION WITH BELLCORE APPROVED LUBRICANT. TECHNICAL REFERENCE: TR-NWT-001217 ISSUE 1, SEPT 1992.
- 4 REFERENCE APPLICATION SPEC 114-1103 FOR RECOMMENDED PLATED THRU HOLE DIAMETER AND PLATING THICKNESS.
- 5 CURRENT RATING 10A/CONTACT PER PRODUCT SPEC 108-1651.



5223977-1
PART NUMBER

THIS DRAWING IS A CONTROLLED DOCUMENT.		DIN: B. CARBO 130EC04	Tyco Electronics Corporation Harrisburg, PA 17105-3608	
DIMENSIONS: mm		CHK: R. PATTERSON 130EC04	NAME: R. PATTERSON 130EC04	
TOLERANCES UNLESS OTHERWISE SPECIFIED:		PRODUCT SPEC: 108-1651		
0. PLC ± -		APPLICATION SPEC: 114-1103		
1. PLC ± -		SIZE: A1		
2. PLC ± 0.13		CAGE CODE: 00779		
3. PLC ± -		DRAWING NO: 5223977		
4. PLC ± -		RESTRICTED TO: -		
ANGLES ± -		CUSTOMER DRAWING		
MATERIAL: 1		SCALE: 10:1		
FINISH: 2, 3		SHEET: 1 of 1		
		REV: C1		

单击下面可查看定价，库存，交付和生命周期等信息

[>>TE Connectivity\(泰科\)](#)