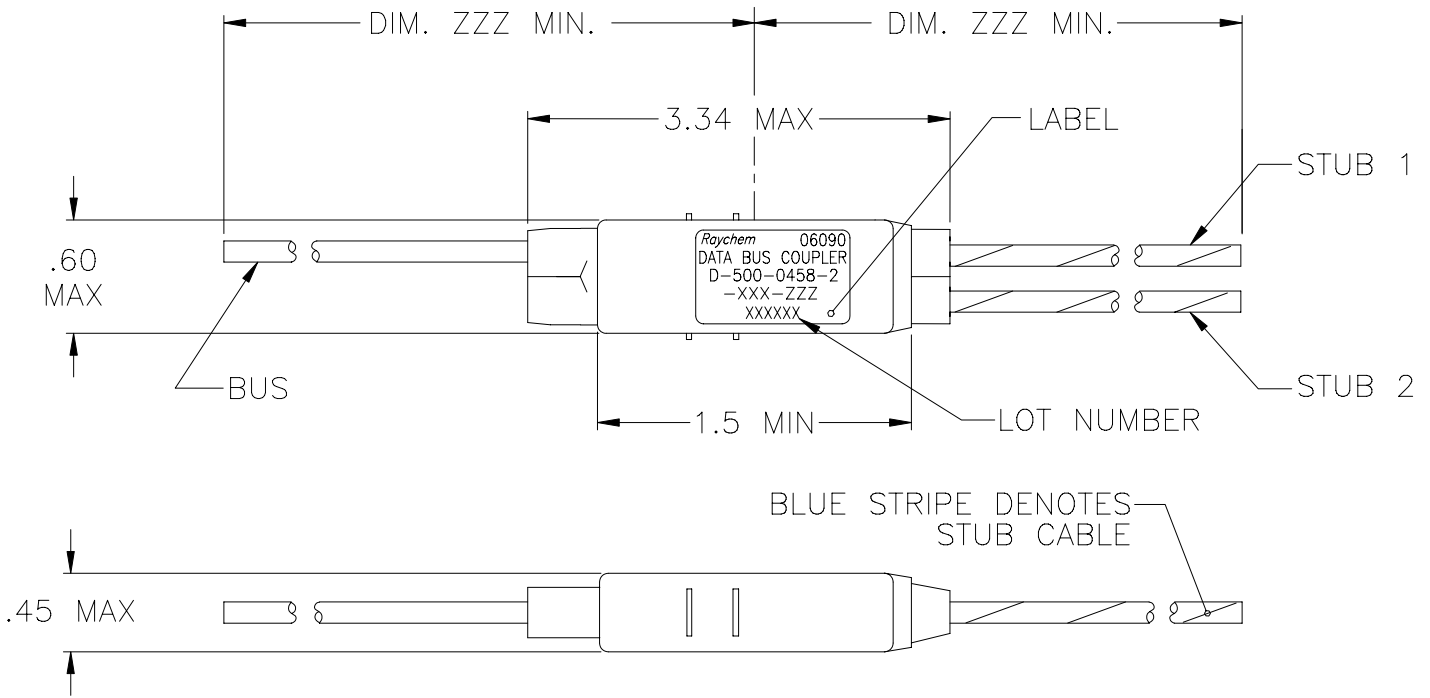


REVISION		
REV	DESCRIPTION	DATE
D	REVISED PER DCR NUMBER T31573	6/12/03



COMPONENT NUMBER	BUS CABLE	STUB CABLE
D-500-0458-2-612-ZZZ	10612-24-9	10612-24-96
D-500-0458-2-613-ZZZ	10613-24-9	10613-24-96
D-500-0458-2-614-ZZZ	10614-24-9	10614-24-96

PART NO. D-500-0458-2-XXX-ZZZ

CONFIGURATION

8=REVERSE WITH INTERNAL BUS TERMINATOR

2=DOUBLE STUB

LENGTH OF CABLE (INCHES)

CABLE TYPE

612=10612  
613=10613  
614=10614

If this document is printed it becomes uncontrolled.  
Check for the latest revision.

SPECIFICATION CONTROL DRAWING

UNLESS OTHERWISE SPECIFIED DIMENSIONS ARE INCHES. METRIC DIMENSIONS ARE IN BRACKETS.

DECIMAL TOLERANCES  
.XXX ± --- [ --- mm]  
.XX ± --- [ --- mm]  
.X ± --- [ --- mm]

ANGLE TOLERANCE  
.X ± ---

WEIGHT  
SEE NOTES

DRAWN

ZET

DATE

10/24/97

MATERIAL

FINISH

**tyco**  
**Electronics**

Tyco Electronics  
300 CONSTITUTION DRIVE  
MENLO PARK, CALIFORNIA 94025 USA

Raychem

TITLE

DATABUS MICROCOUPLER  
TWO STUB IN-LINE, REVERSE  
WITH INTERNAL BUS TERMINATOR

SIZE

A

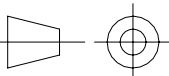
CODE IDENT. NO.

06090

DWG. NO.

D-500-0458-2-XXX-ZZZ

THIRD ANGLE  
PROJECTION



DO NOT SCALE THIS DRAWING

SHEET 1 OF 2

CAD FILE T31573A

1. MATERIAL AND FINISHES:

1.1 INTERNAL COMPONENTS:

1.1.1 -TRANSFORMER TO MIL-PRF-21038 AND MIL-STD-1553B

1.1.2 -RESISTORS, ISOLATION PER MIL-PRF-39007/9, 57.6 OHMS (R1)

1.1.3 -RESISTORS, TERMINATION PER MIL-PRF-39007/9, 76.8 OHMS (R2)

1.2 SHIELDED CASE: ALUMINUM PER ASTM-B618

1.3 SEALED STRAIN RELIEF COVER: MODIFIED CROSS-LINKED ELASTOMER, BLACK, TO RAYCHEM SPECIFICATION RK-6713.

1.4 CABLE TYPE PER RAYCHEM SPECIFICATION 1200 (SEE PART NO. ON SHEET 1).

2. APPLICATION:

2.1 THIS COUPLER IS DESIGNED TO BE INSTALLED AS A DIGITAL MULTIPLEX ASSEMBLY MEETING THE REQUIREMENTS OF MIL-STD-1553B.

2.2 FOR CABLE SPLICING USE FLEXIBLE SPLICE KIT D-150-0708-5 (NOT SUPPLIED).

2.3 CABLE BEND RADIUS PER SAE-AS50881 STATIC BEND: 5 x CABLE O.D. MIN.  
DYNAMIC BEND: 10 x CABLE O.D. MIN.

3. TEMPERATURE:

3.1 OPERATING TEMPERATURE: -65°C TO +150°C

4. PERFORMANCE SPECIFICATIONS:

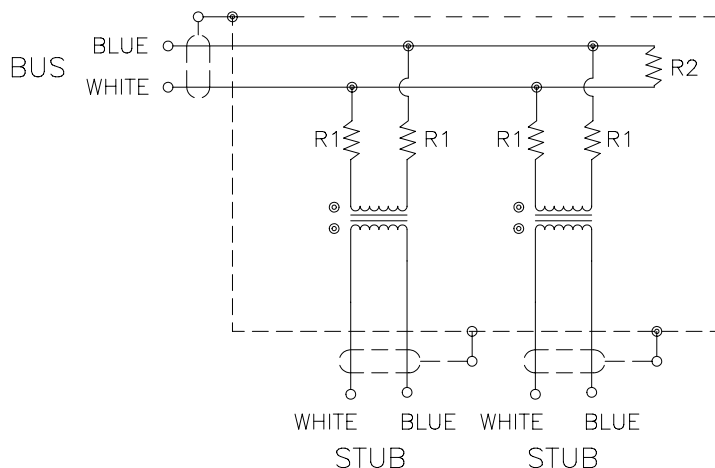
4.1 TRANSFORMER MEETS THE PERFORMANCE REQUIREMENTS OF MIL-STD-1553B.

4.2 COUPLER MEETS THE PERFORMANCE REQUIREMENTS OF RAYCHEM SPECIFICATION D-6020.

5. WEIGHT:

5.1 MAXIMUM WEIGHT WITHOUT CABLE: 15 GRAMS MAX.

TWO STUB COUPLER SCHEMATIC



If this document is printed it becomes uncontrolled.  
Check for the latest revision.

SPECIFICATION CONTROL DRAWING

DRAWN ZET	DATE 10/27/97	SIZE A	CODE IDENT. NO. 06090	DWG. NO. D-500-0458-2-XXX-ZZZ	REV D
CAD FILE T31573B		IIS DRAWING		SHEET 2 OF 2	

单击下面可查看定价，库存，交付和生命周期等信息

[>>TE Connectivity\(泰科\)](#)