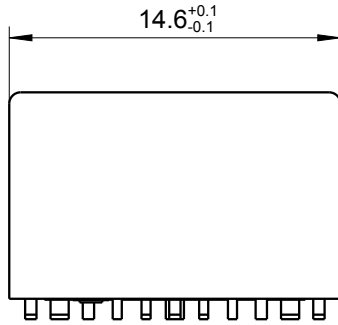
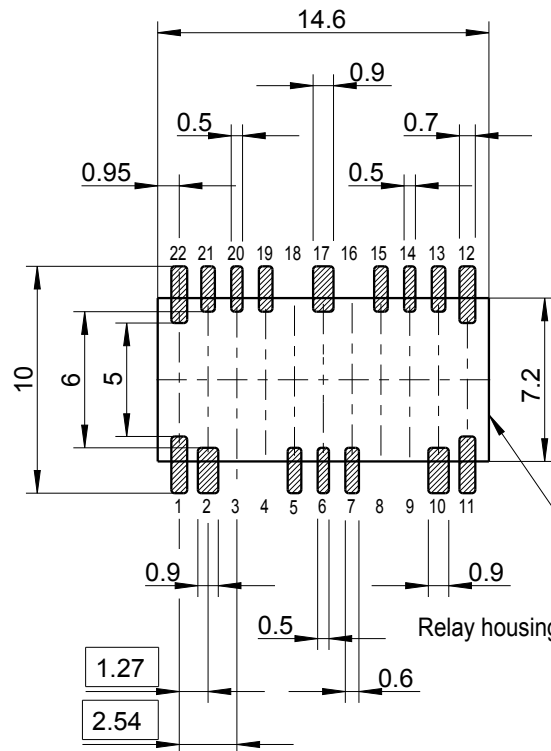
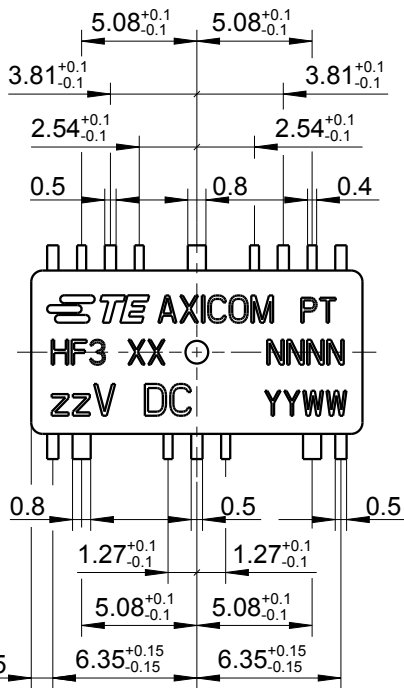
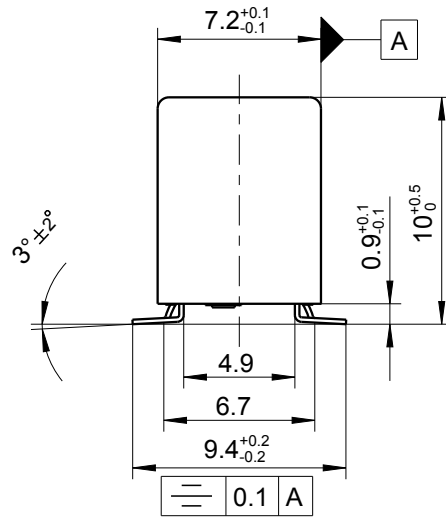


LOC	DIST	REVISIONS					
		P	LTR	DESCRIPTION	DATE	DWN	APVD
HJ	-		C	Printing	21JUL2009	UKo	HD
			D	Printing	09JUL2010	UKo	HD
			D1	REVISED PER ECO-11-005150	25MAR2011	UKo	HMR
			D2	REVISED PER ECO-11-017072 (ECR-13-009645)	14JUN2013	UKo	AK



Coplanarity $\leq 0.10\text{mm}$



XX = Relay type
 zz = nominal voltage
 YYWW = Date code
 NNNN = Lot number

2005

RELEASED FOR PUBLICATION

ALL RIGHTS RESERVED.

THIS DRAWING IS UNPUBLISHED.
 COPYRIGHT © 2005 BY TE Connectivity

DIMENSIONS: mm	DWN	UKo 9193	16AUG2002	MATERIAL	-	FINISH	-
	CHK	HD 9121	16AUG2002	TE Connectivity			
TOLERANCES UNLESS OTHERWISE SPECIFIED: DIN 7168-m	APVD	HD 9121	16AUG2002				
0 PLC ±-	PRODUCT SPEC	-		HF3-Relay 75Ω			
1 PLC ±-	APPLICATION SPEC	-		Dimensions			
2 PLC ±-	WEIGHT	-		SIZE	A4	CAGE CODE	00779
3 PLC ±-				DRAWING NO	C=		1462050-2
4 PLC ±-				RESTRICTED TO	-		
ANGLES ±-				CUSTOMER DRAWING	SCALE	3:1	SHEET 1 OF 1
							REV D2

单击下面可查看定价，库存，交付和生命周期等信息

[>>TE Connectivity\(泰科\)](#)