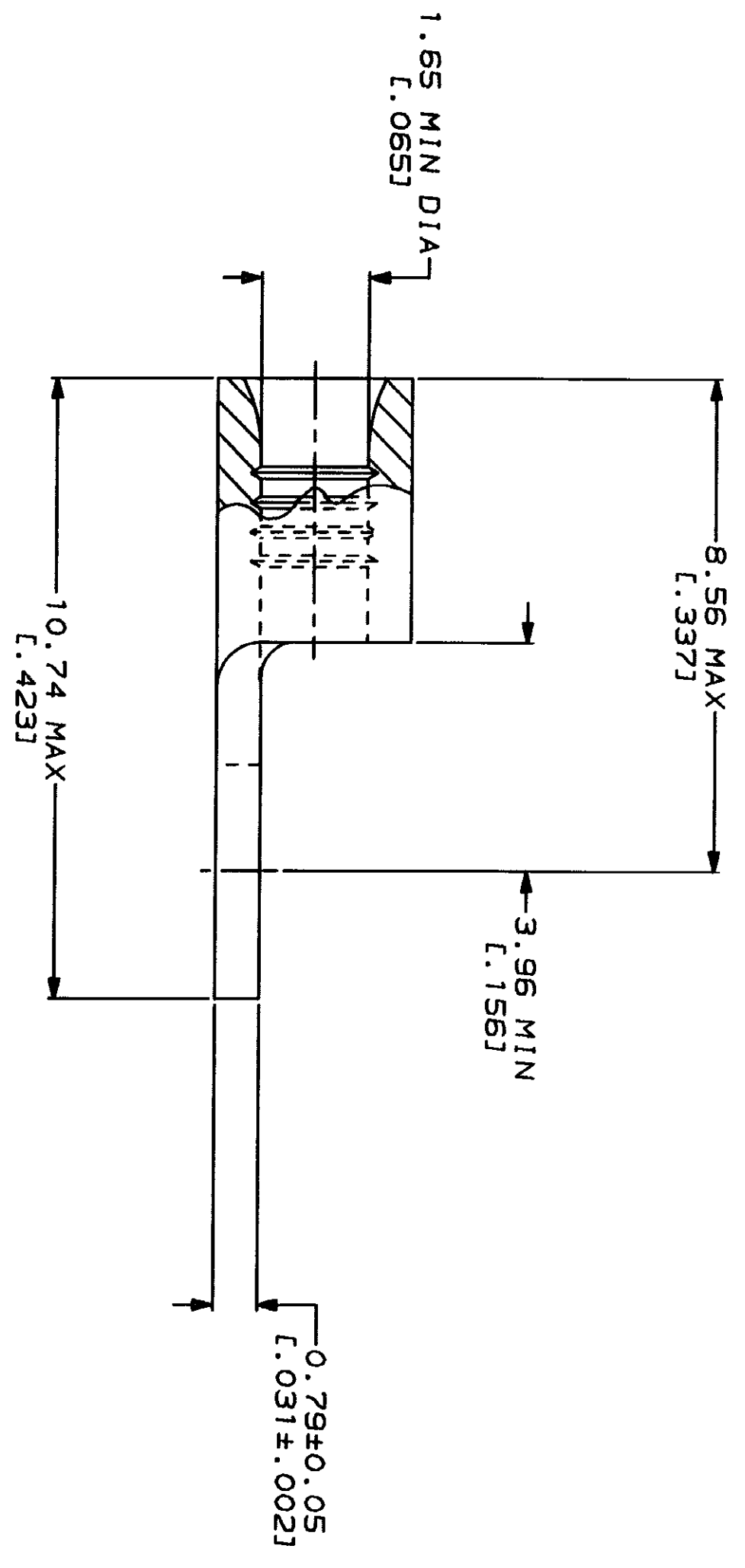
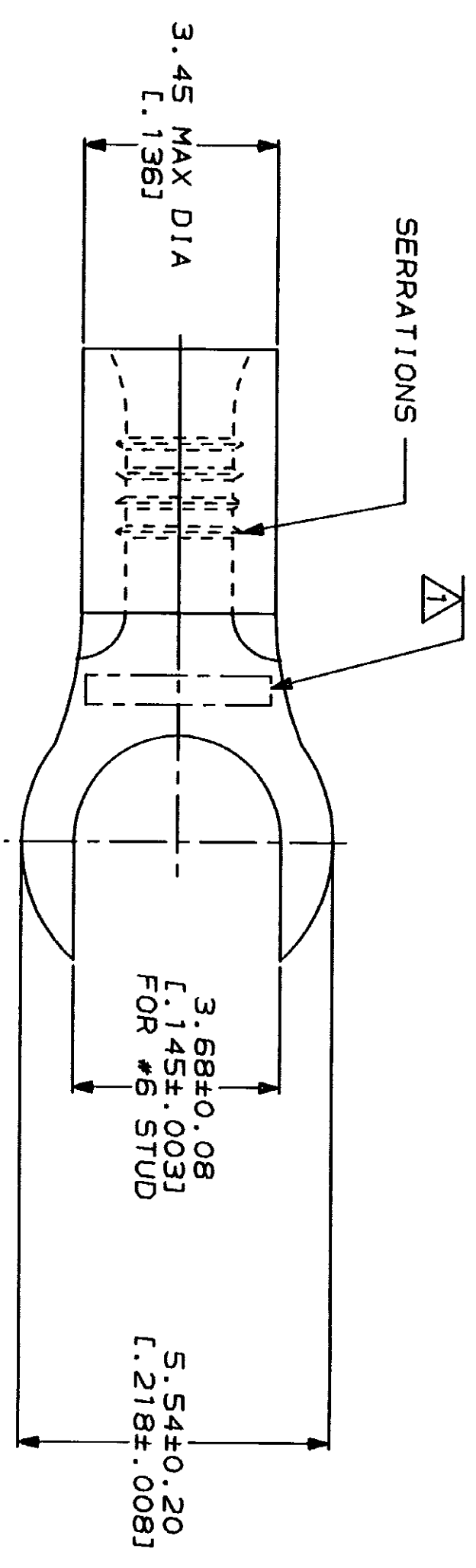


LOC	DIST	REV	ZONE	LTR	DESCRIPTION	DATE	APP'D
G	14			A	REVISED PER 0720-0230-93	2/28/94	DAF

METRIOR
 DIMENSIONS LISTED IN mm [INCHES]

AMP WIRE RANGE	UL E13288 Listed
22-16 AWG STRANDED	22-16 AWG STRANDED
UL LR7189 Certified	MILITARY P/N AND CLASS
NOT CERTIFIED	NOT APPLICABLE

△ STAMP AMP 22-18* APPROX AS SHOWN
 22-16 TERMINALS ARE STAMPED 22-18 IN
 ACCORDANCE WITH MILITARY SPECIFICATION
 MIL-T-7928, COMMERCIAL WIRE RANGE IS 22-16



AMP INCORPORATED
CUSTOMER SERVICE SYSTEMS

FOR ADDITIONAL
 PRODUCT INFORMATION OR
 COPIES OF DRAWINGS
 AND TECHNICAL DOCUMENTS
 1-800-522-6752

FOR APPLICATION
 TOOLING INFORMATION
 1-800-722-1111

FOR ORDER ENTRY
 1-800-526-5142

PRODUCT INFORMATION CENTER
 1-800-522-6752

TOOLING ASSISTANCE CENTER
 1-800-722-1111

MAX RECOMMENDED OPERATING
 TEMPERATURE: 170°C MAX

VOLTAGE RATING:
 NOT APPLICABLE

WIRE CROSS SECTIONAL AREA RANGE,
 0.26-1.65mm² [509-3,260] CIR MILS
 STRANDED

THIS DRAWING IS A CONTROLLED DOCUMENT FOR
 AMP INCORPORATED. IT IS SUBJECT TO CHANGE
 AND THE CONTROLLING REVISIONING ORGANIZATION
 SHOULD BE CONTACTED FOR THE LATEST REVISION.

DO NOT SCALE PRINT. UNLESS SPECIFIED DIMENSIONS IN mm - FINISHES - TOLERANCES ON 1 2 PLC DEC ± 3 PLC DEC ± ANGLES ±	DR 2-23-93 TA BRINKMAN	NAME AMP AMP Incorporated Harrisburg, PA 17105-3608
MATERIAL COPPER PER ASTM B-152 ANNEALED	APPD 2-23-93 DE MILLER	SIZE CAGE CODE 00779
FINISH TIN PLATE 0.00254 [L.000100] MIN THK PER MIL-T-10727	APPD JL HECKLEY PRODUCT SPEC	DRAWING NO C=323835
	APPLICATION SPEC	SCALE 10:1
	WEIGHT	SHEET 1 OF 1

323835
 PART NO

AMP
 TERMINAL, SLOTTED
 RING TONGUE, BUDGET

单击下面可查看定价，库存，交付和生命周期等信息

[>>TE Connectivity\(泰科\)](#)